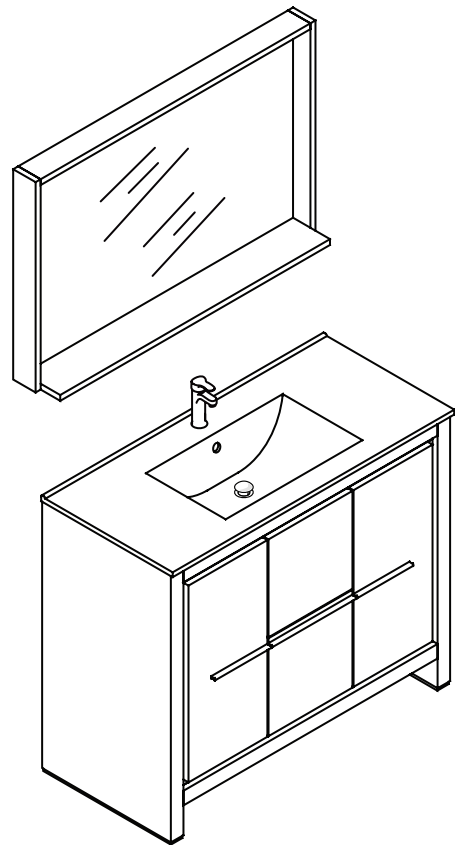
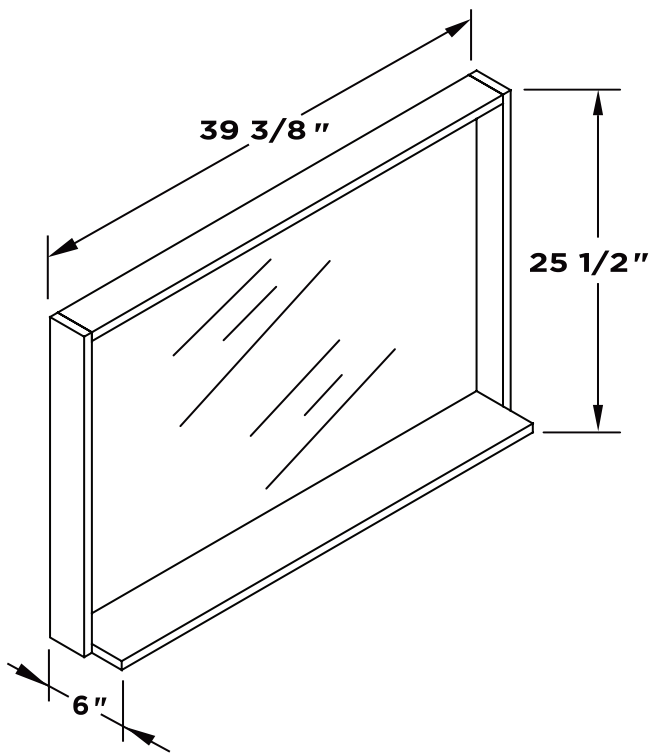
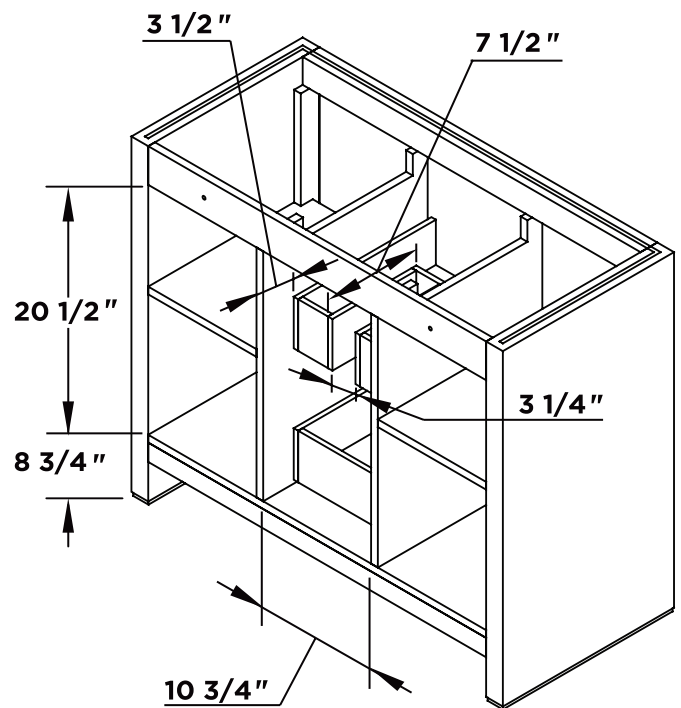
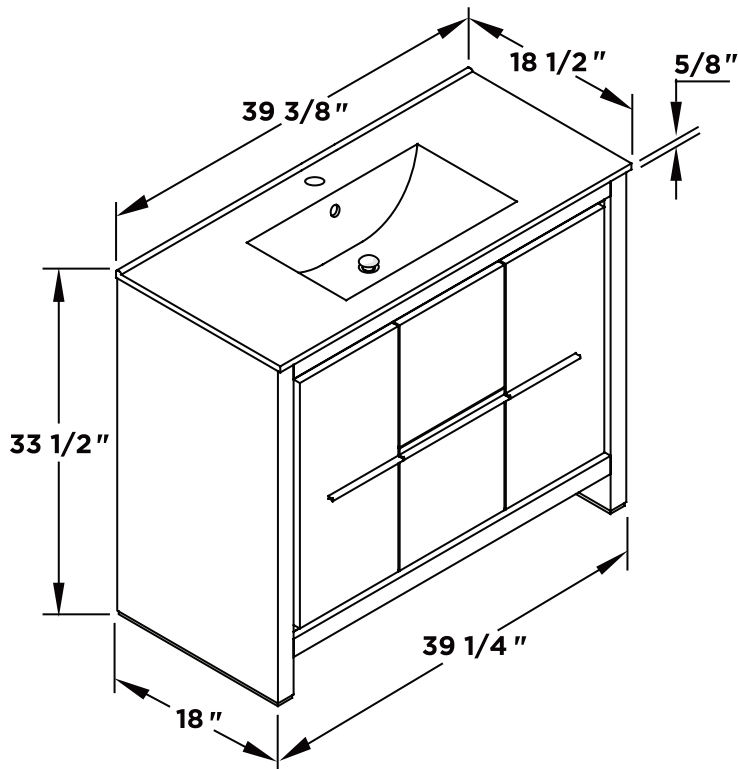


Mirror

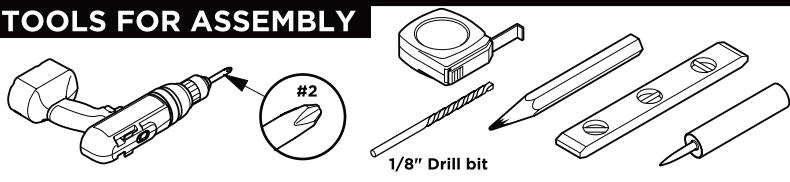


Vanity Front

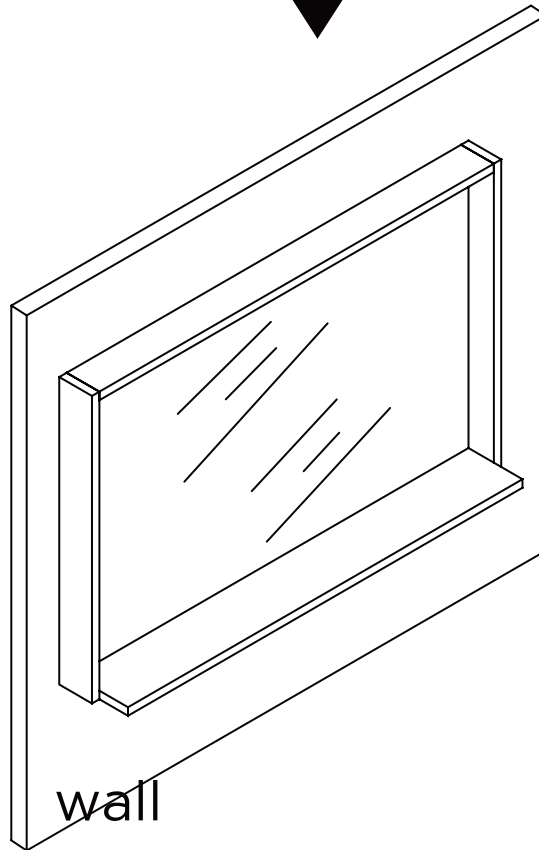
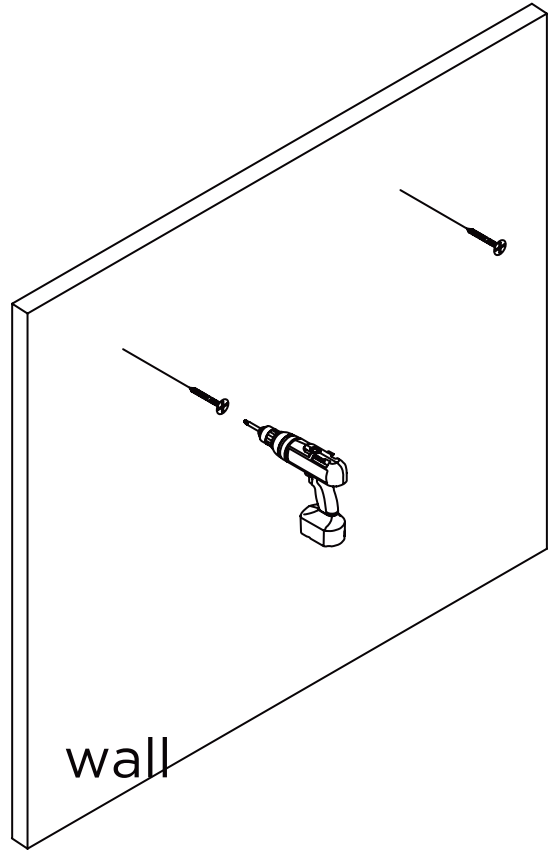
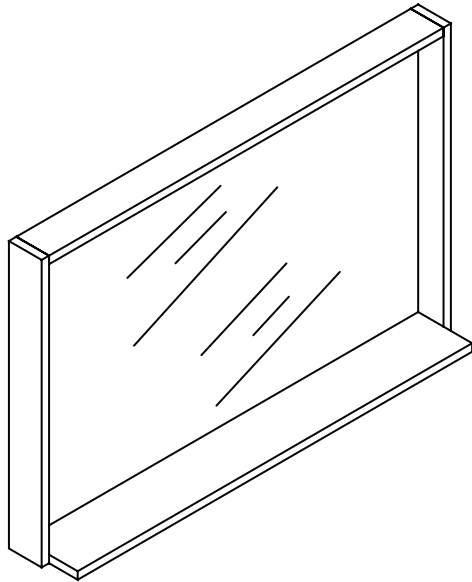
Vanity Back



TOOLS FOR ASSEMBLY

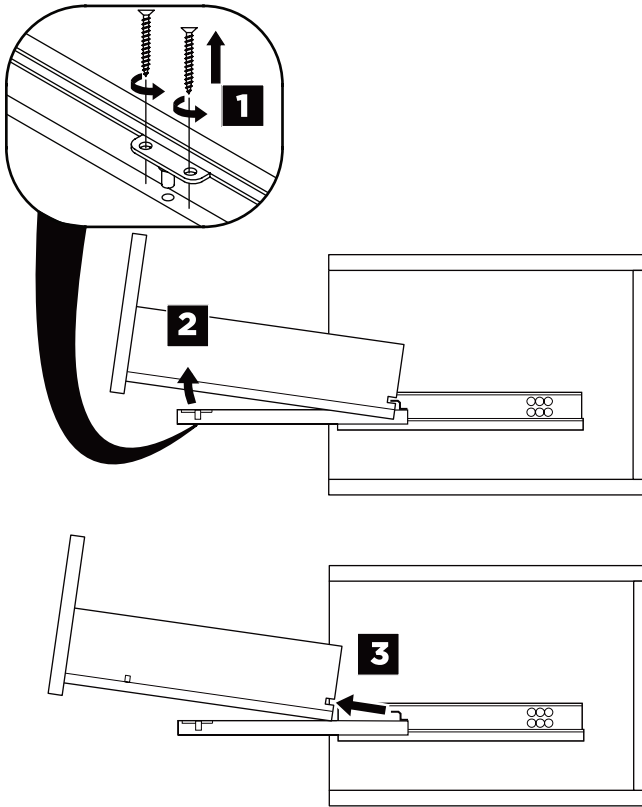


MIRROR INSTALLATION



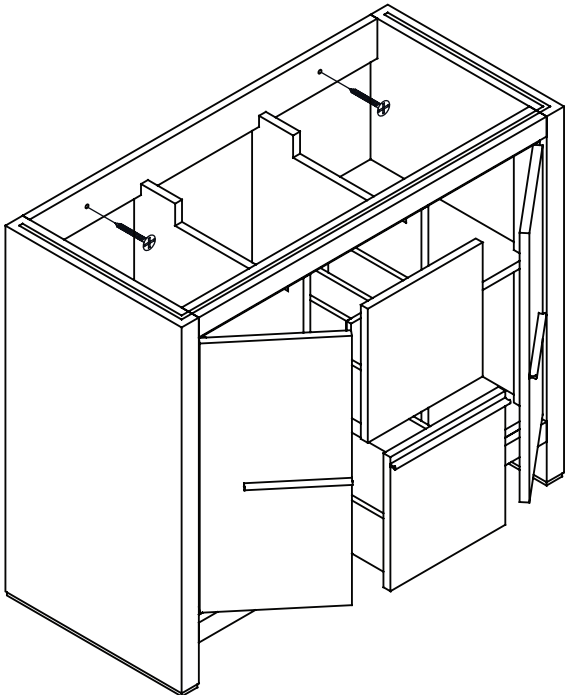
DRAWER REMOVAL & INSTALLATION

REMOVAL

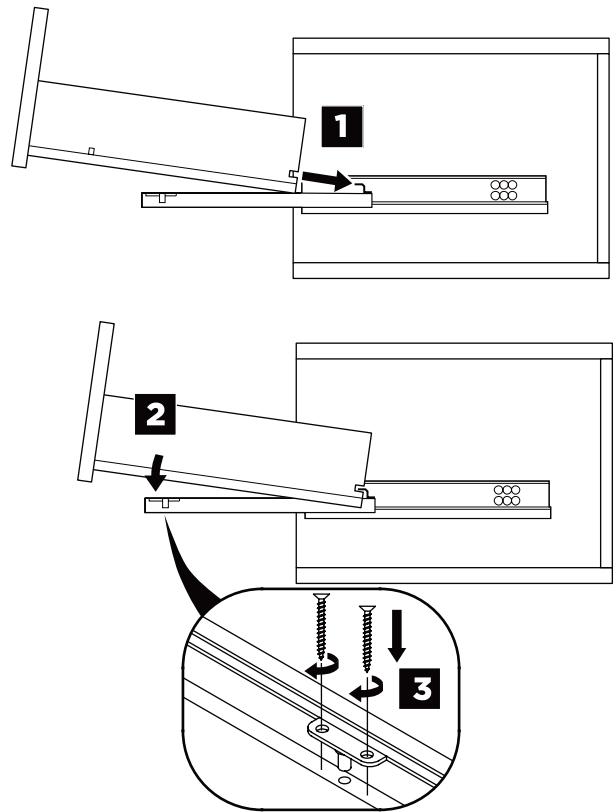


1 Remove drawer and open the door

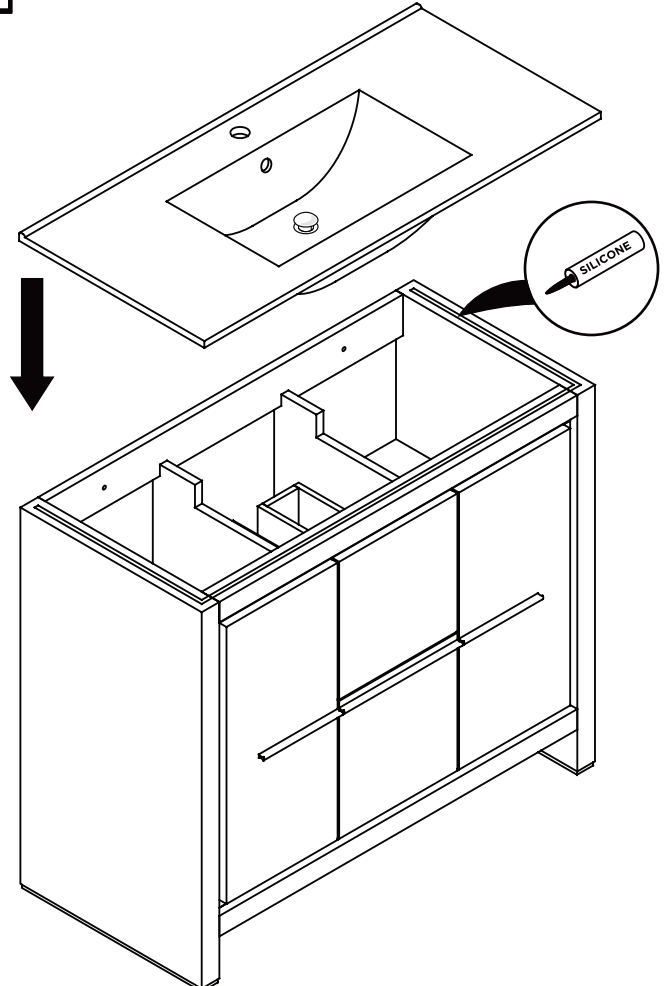
IMPORTANT: Consult an expert for the proper screws/bolts to use when attaching to various wall constructions. Screws provided do not attach to all wall construction types.

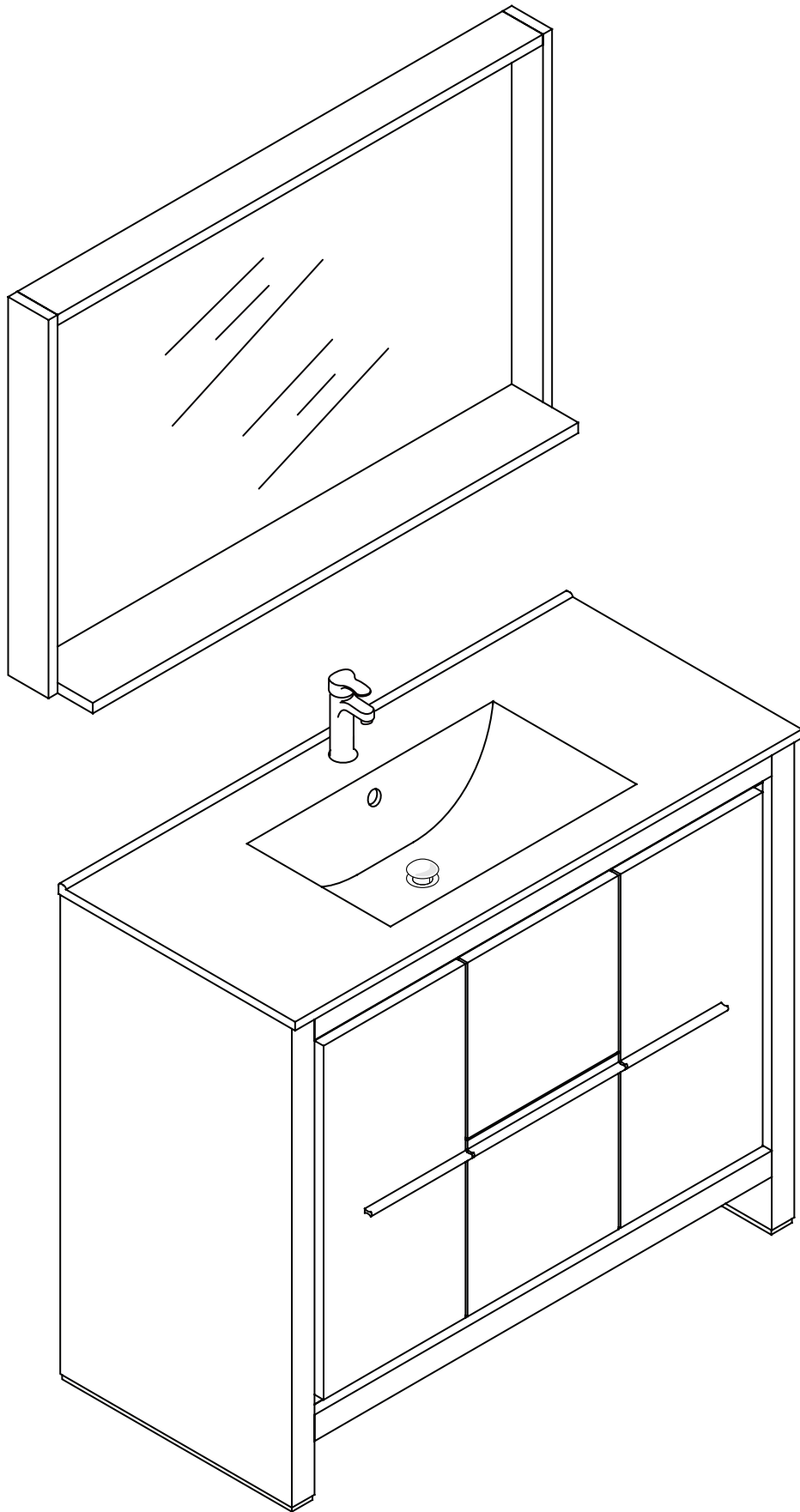


INSTALLATION



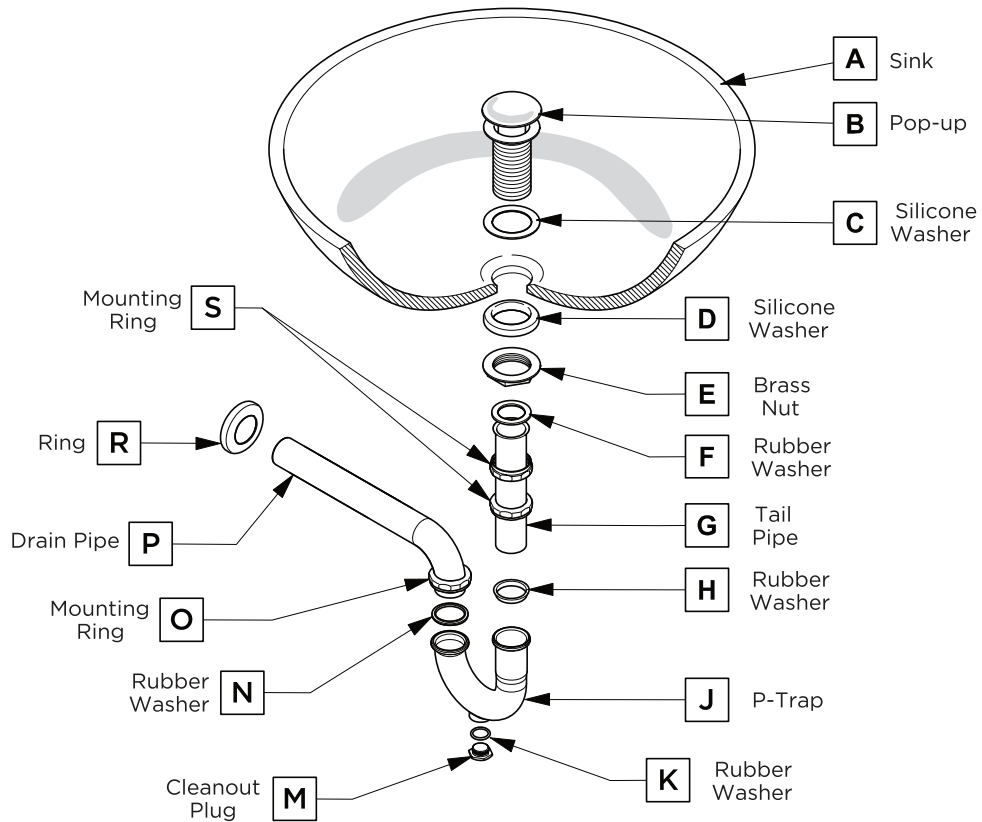
2 Install top panel





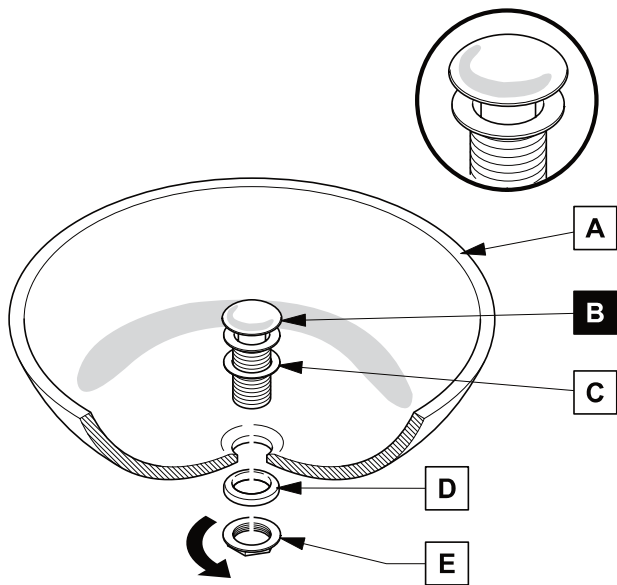
P-TRAP AND POP-UP INSTALLATION INSTRUCTIONS

Your item may appear slightly different from the illustration



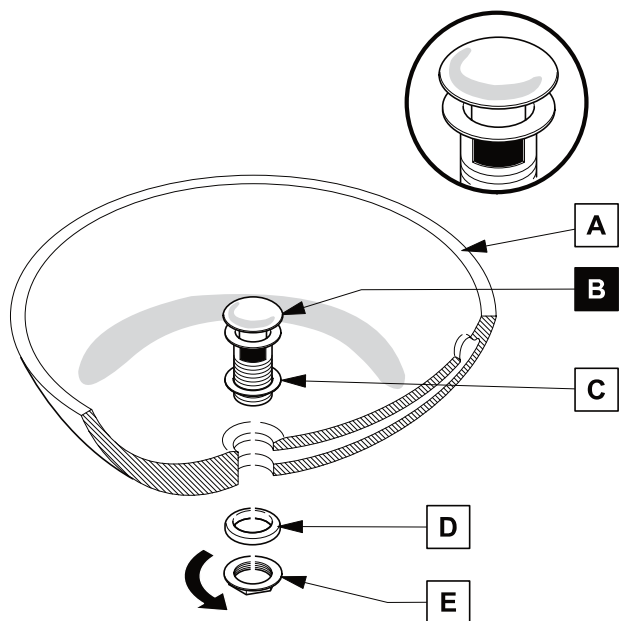
POP-UP INSTALLATION

FOR SINKS WITHOUT OVERFLOW



OR

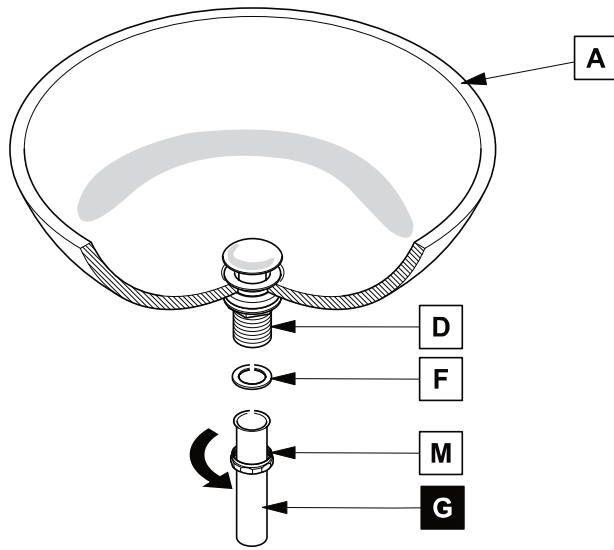
FOR SINKS WITH OVERFLOW



P-TRAP INSTALLATION

1

Install tail pipe (G)



2

Install p-trap (J)

