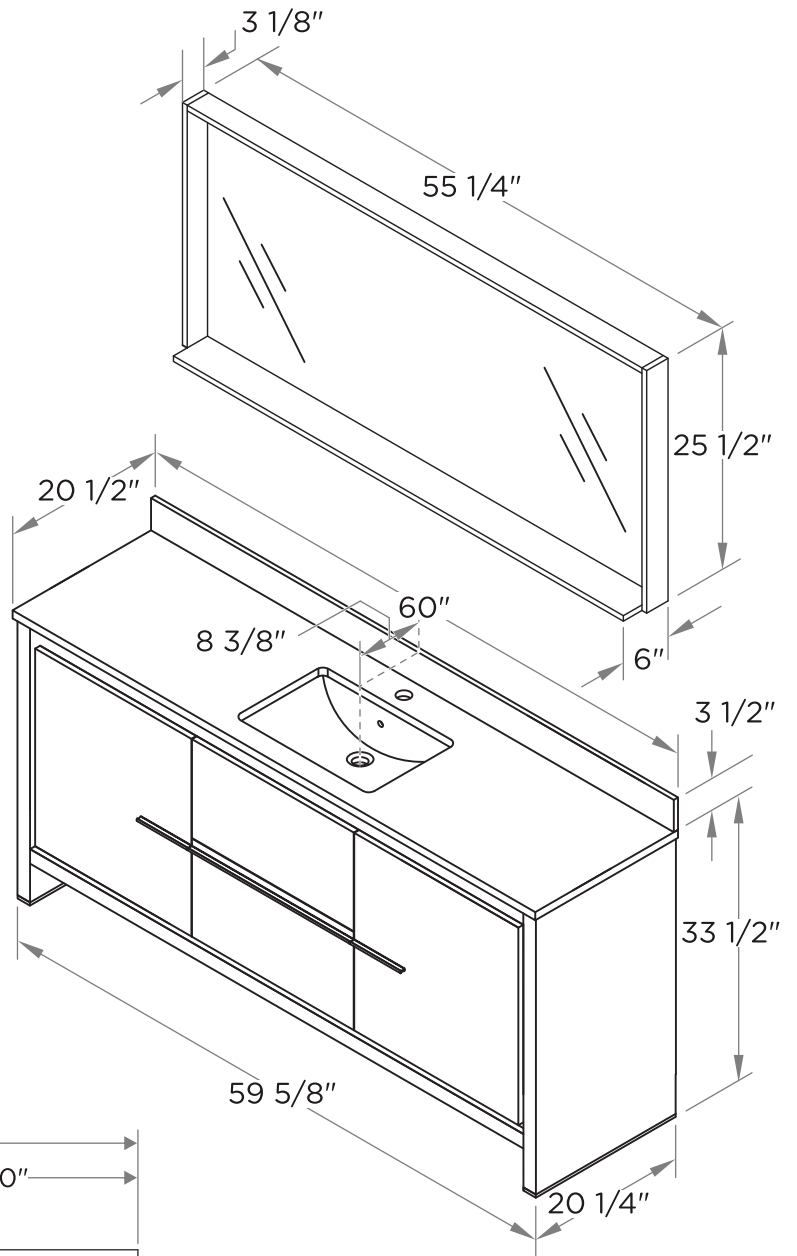


**FVN8119-S**  
**ALLIER**  
 INSTALLATION GUIDE

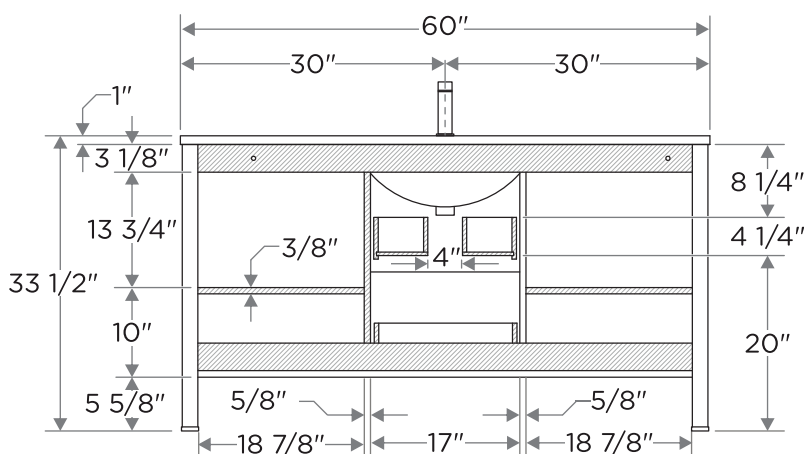
**kitchensource.com**  
 1.800.667.8721



**DIMENSIONS**



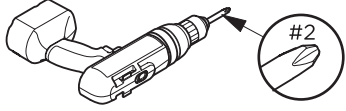
**VANITY**  
 front view



**CABINET**  
 rear view

**!** ALL DIMENSIONS & SPECIFICATIONS  
 ARE APPROXIMATE AND SUBJECT TO  
 CHANGE WITHOUT NOTICE.

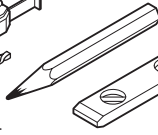
## TOOLS FOR ASSEMBLY



#2

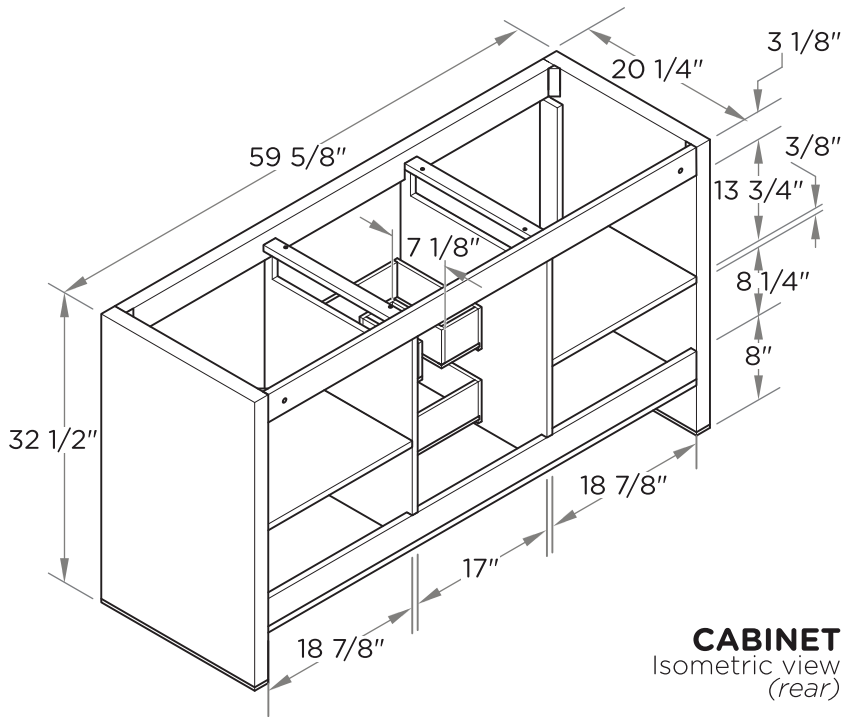


1/8" Drill Bit



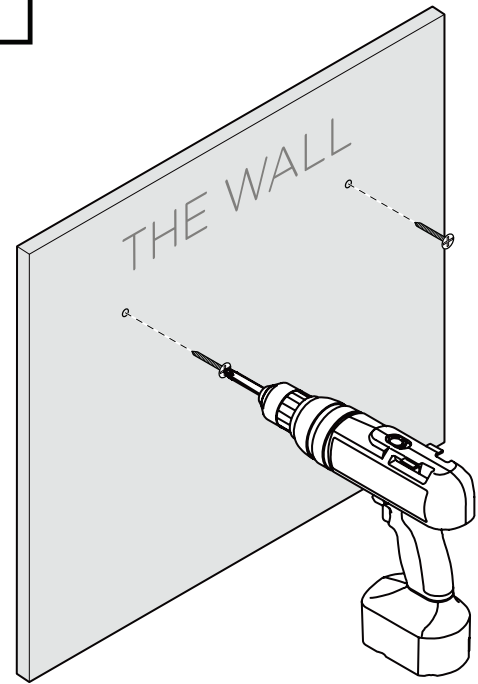
SILICONE

## DIMENSIONS

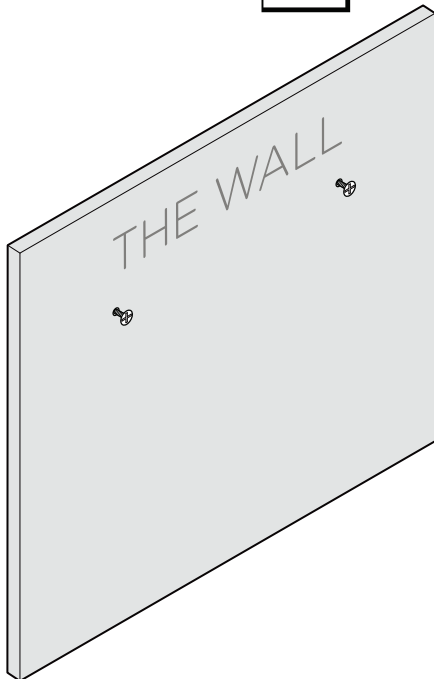


## MIRROR INSTALLATION

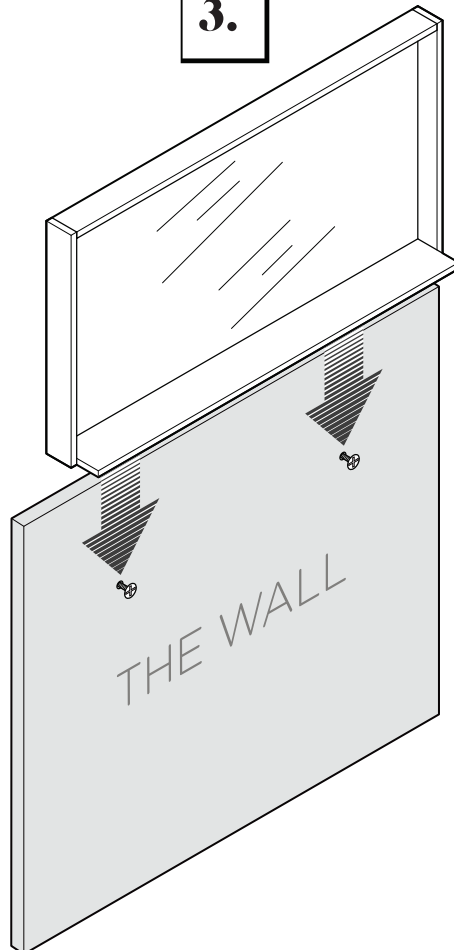
1.



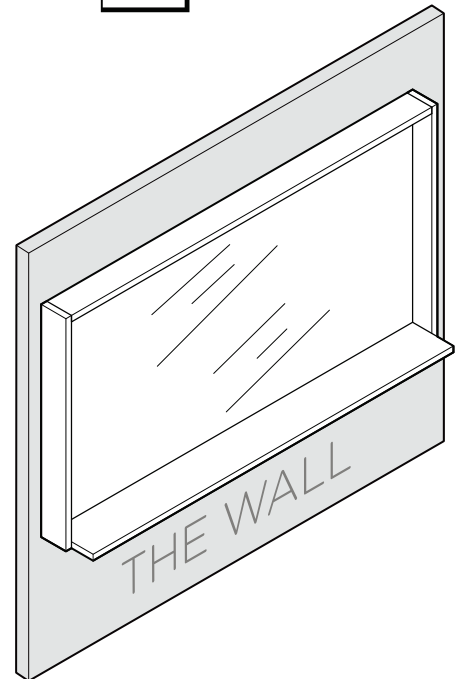
2.



3.

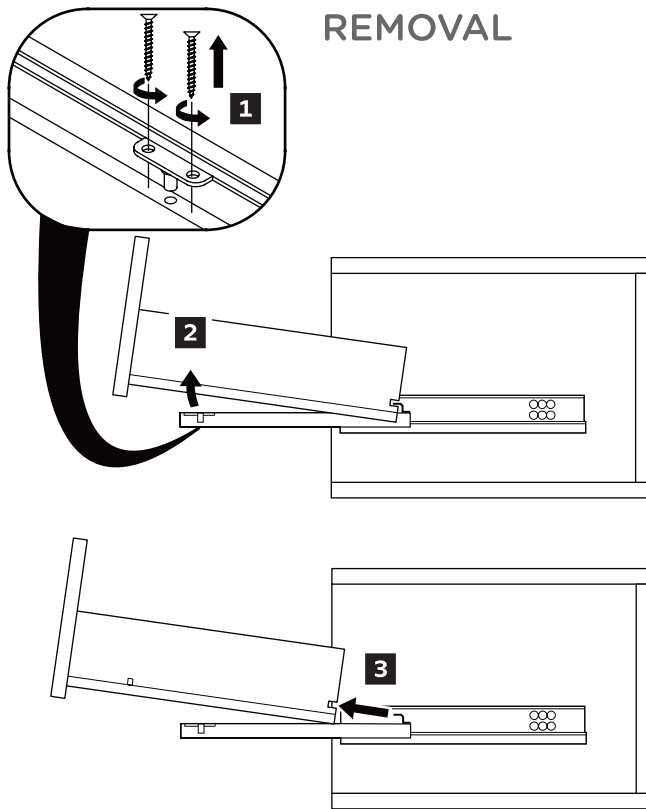


4.

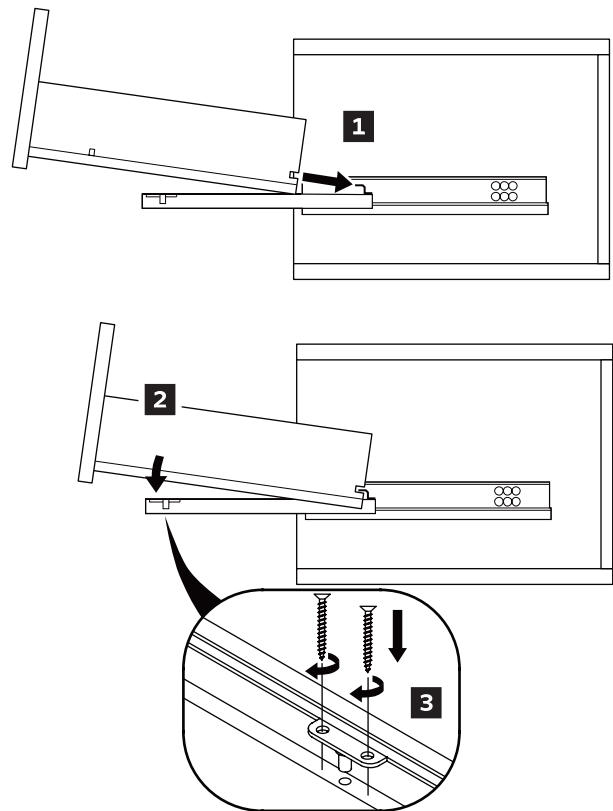


# DRAWER REMOVAL & INSTALLATION

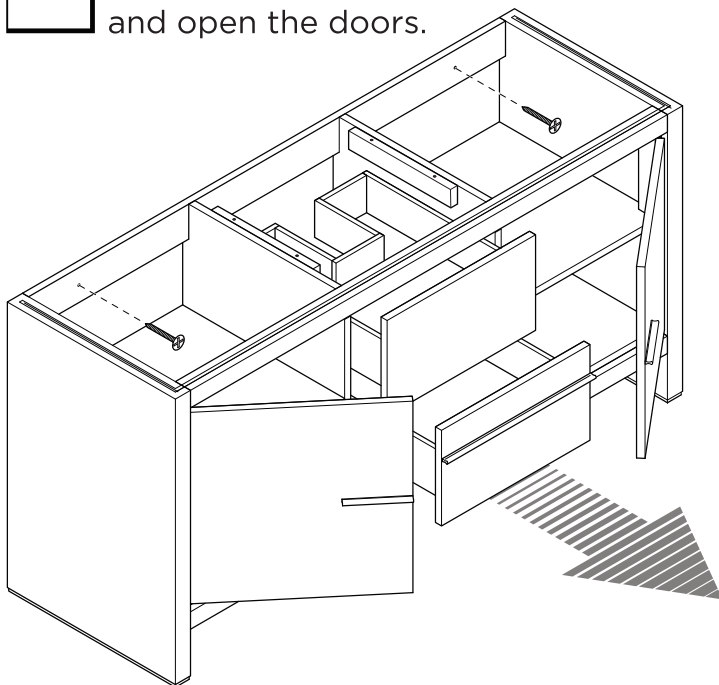
## REMOVAL



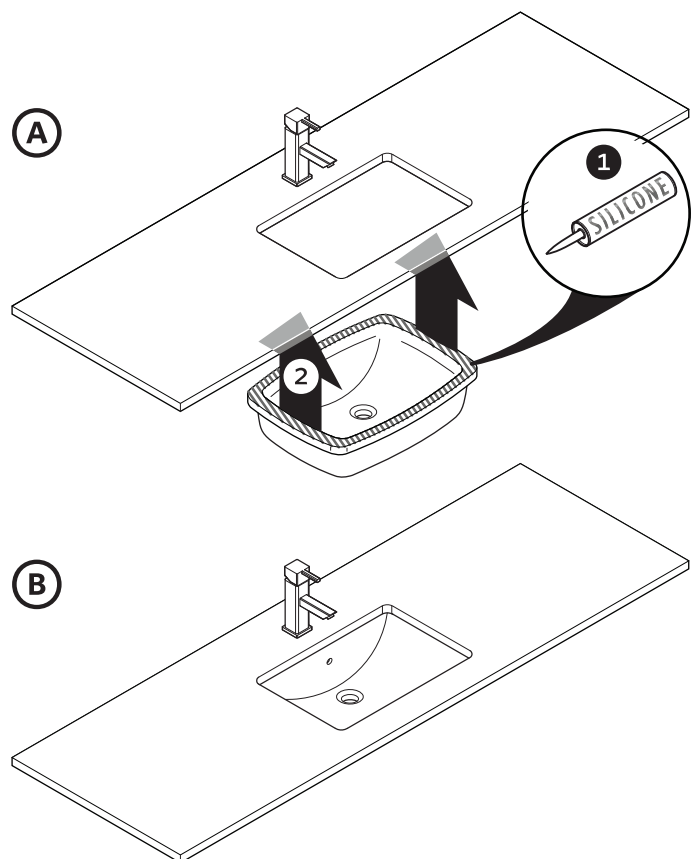
## INSTALLATION



- 1.** Remove the drawers and open the doors.

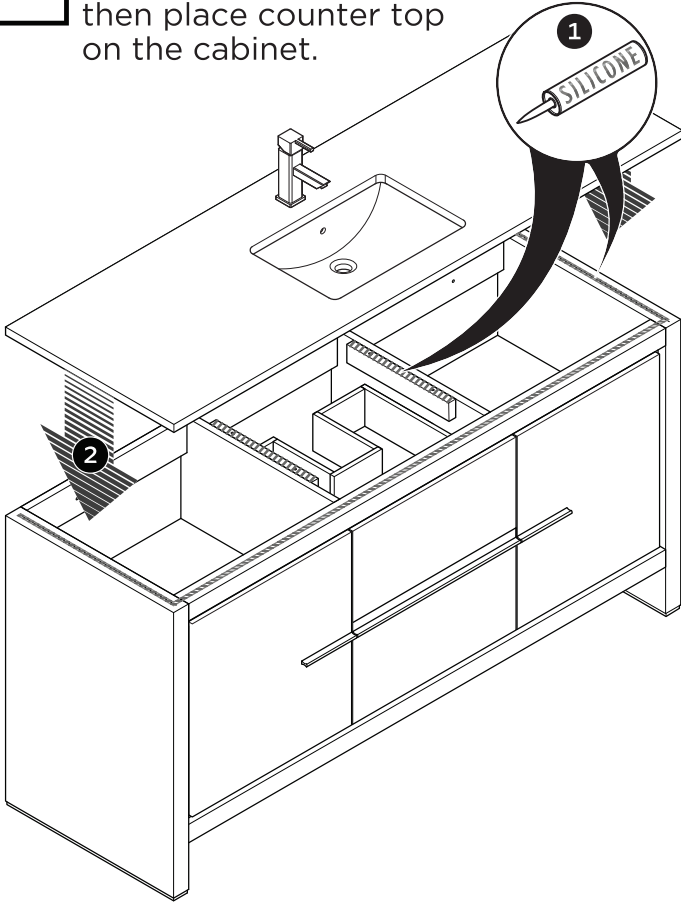


- 2.** Apply a layer of silicone and connect the sink to the counter-top.

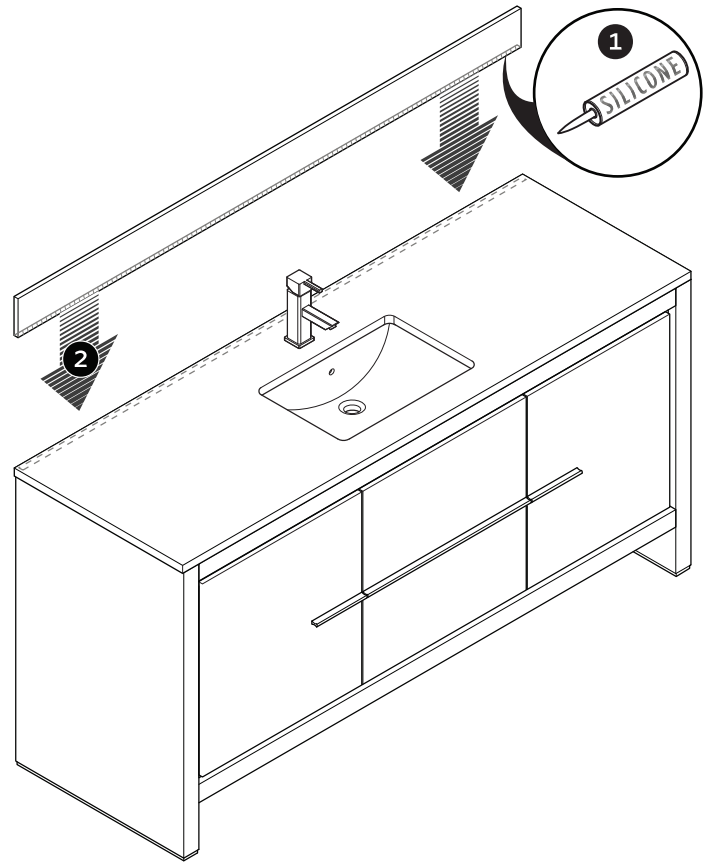


CONSULT AN EXPERT FOR THE PROPER SCREWS/BOLTS TO USE WHEN ATTACHING TO VARIOUS WALL CONSTRUCTIONS. SCREWS PROVIDED DO NOT ATTACH TO ALL WALL CONSTRUCTION TYPES.

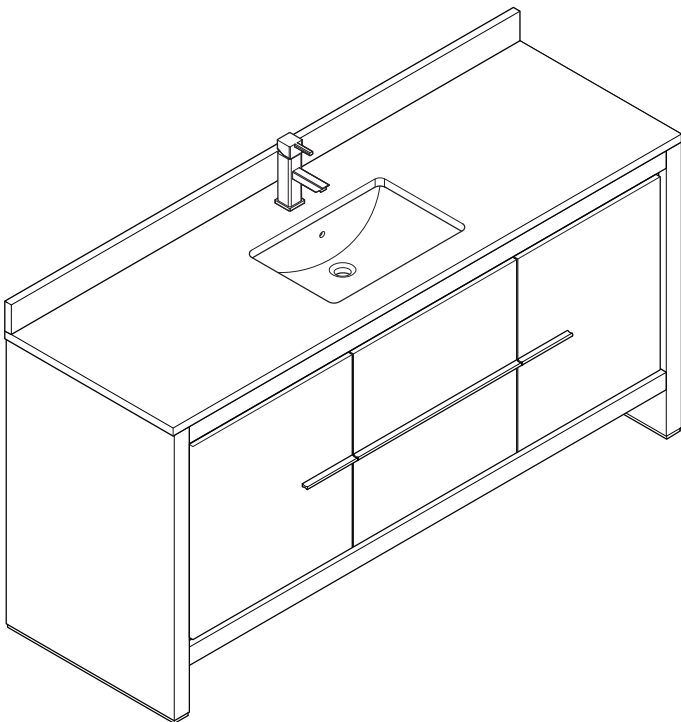
- 3.** Apply a layer of silicone then place counter top on the cabinet.



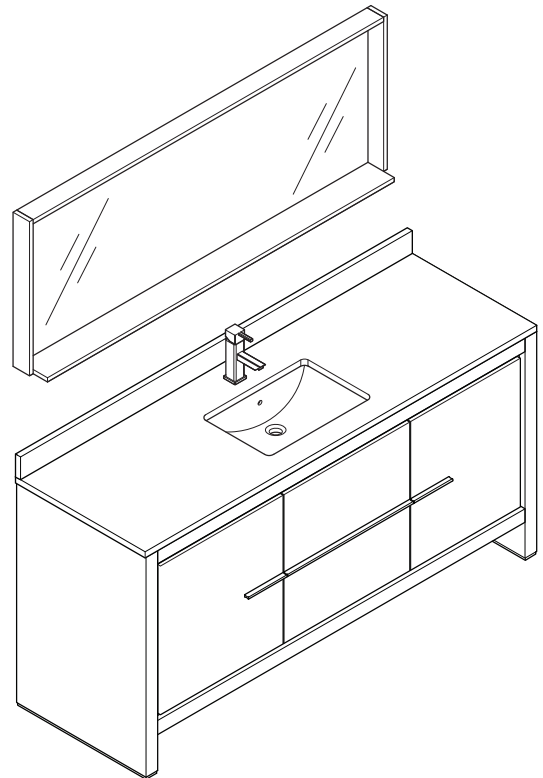
- 4.** Apply silicone on the bottom of the back splash .



- 5.** Attach the back splash to the counter top.



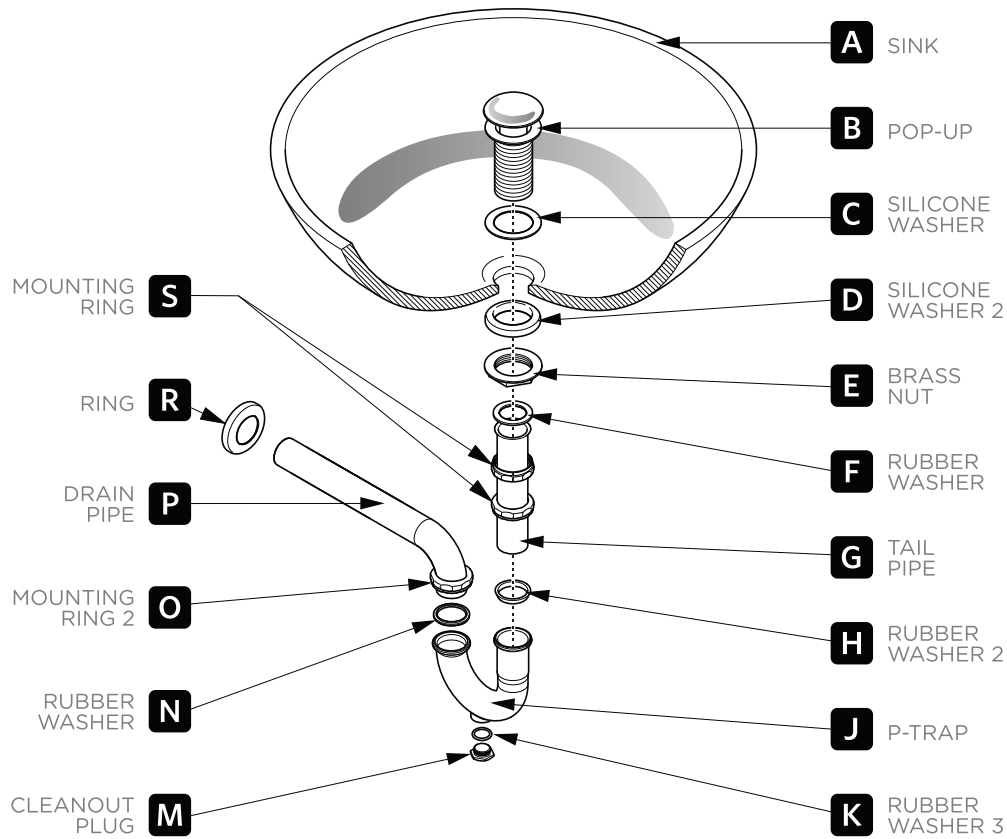
- 6.** Please refer to PAGE 2 for the mirror installation.



# P-TRAP & POP-UP

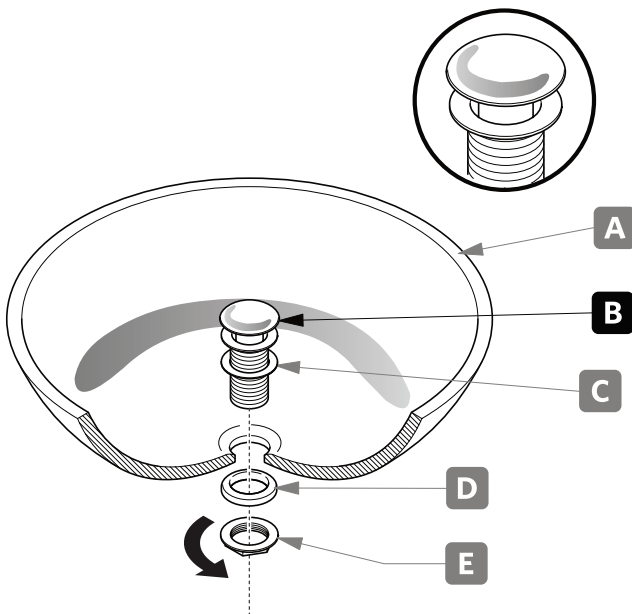
## INSTALLATION INSTRUCTIONS

YOUR ITEM MAY APPEAR SLIGHTLY DIFFERENT FROM THE ILLUSTRATION.



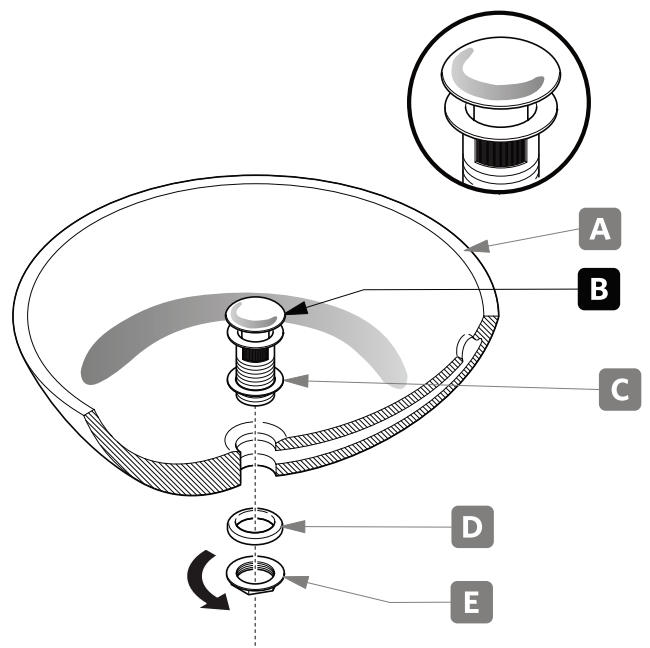
## POP-UP INSTALLATION

**FOR SINKS WITHOUT OVERFLOW**



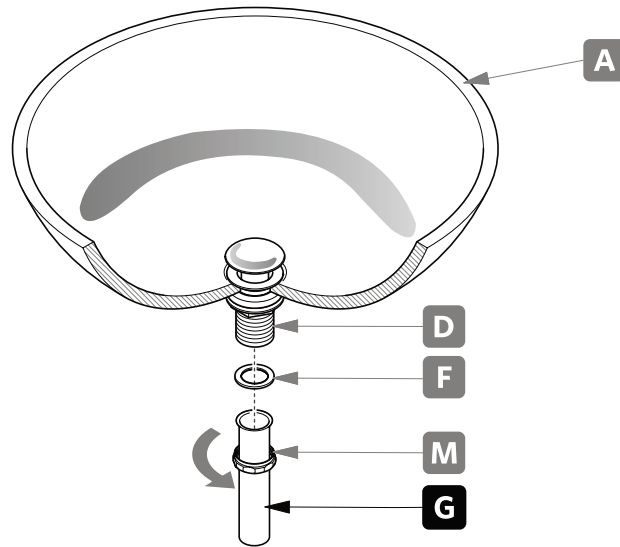
OR

**FOR SINKS WITH OVERFLOW**



# P-TRAP INSTALLATION

**1.** Install tail pipe (G).



**2.** Install P-trap (J).

