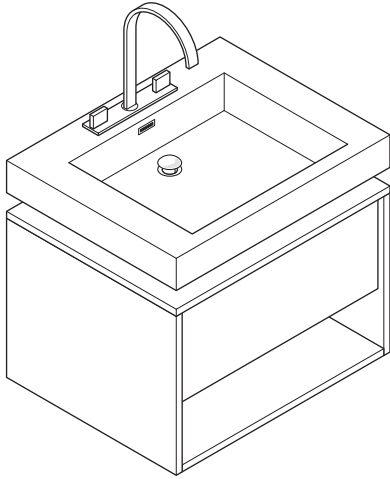
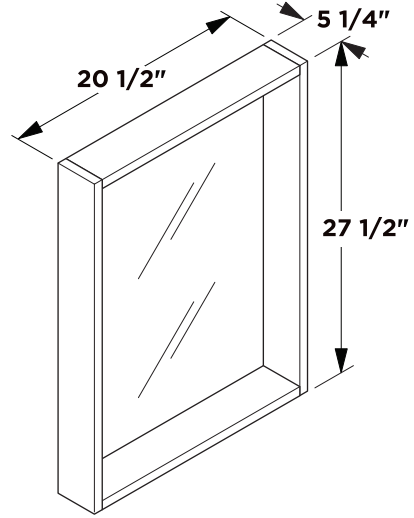
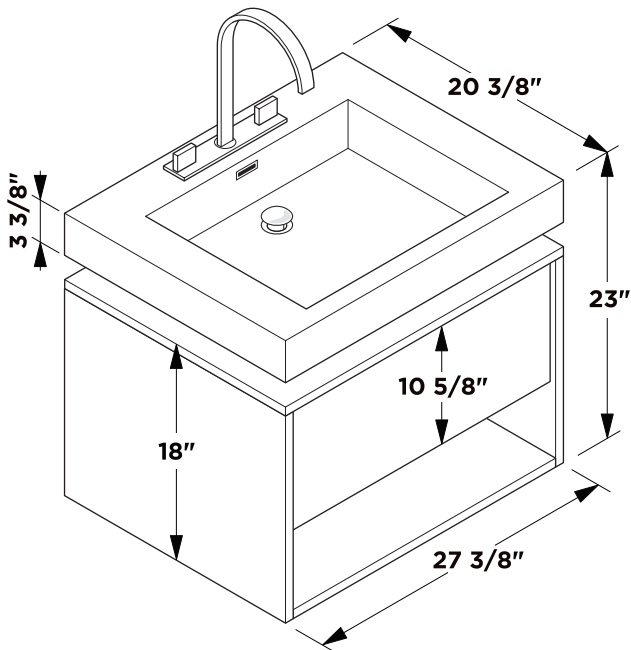


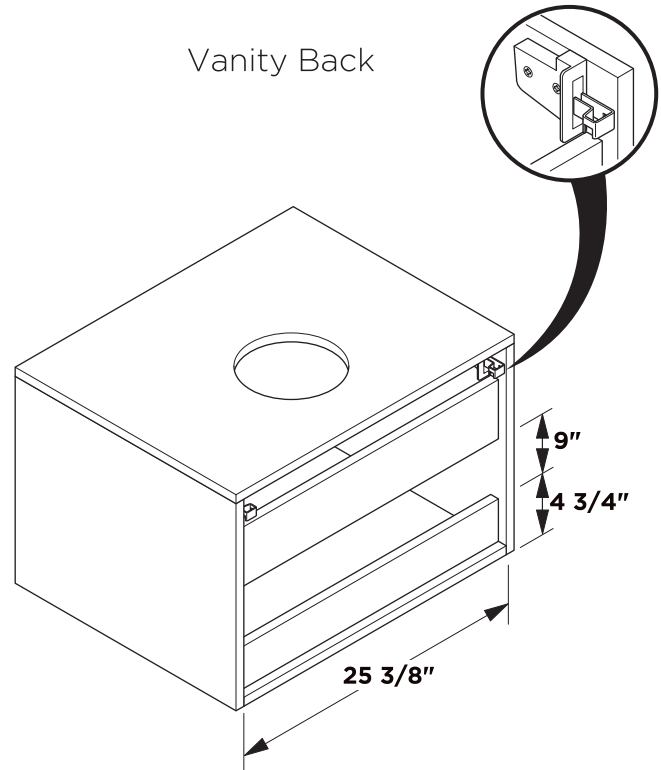
Mirror



Vanity Front

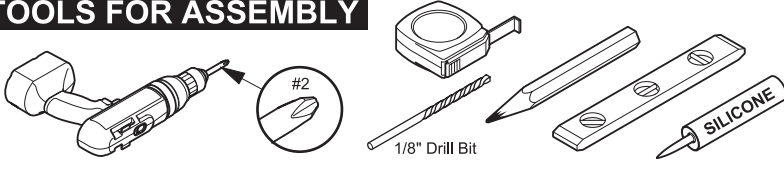


Vanity Back

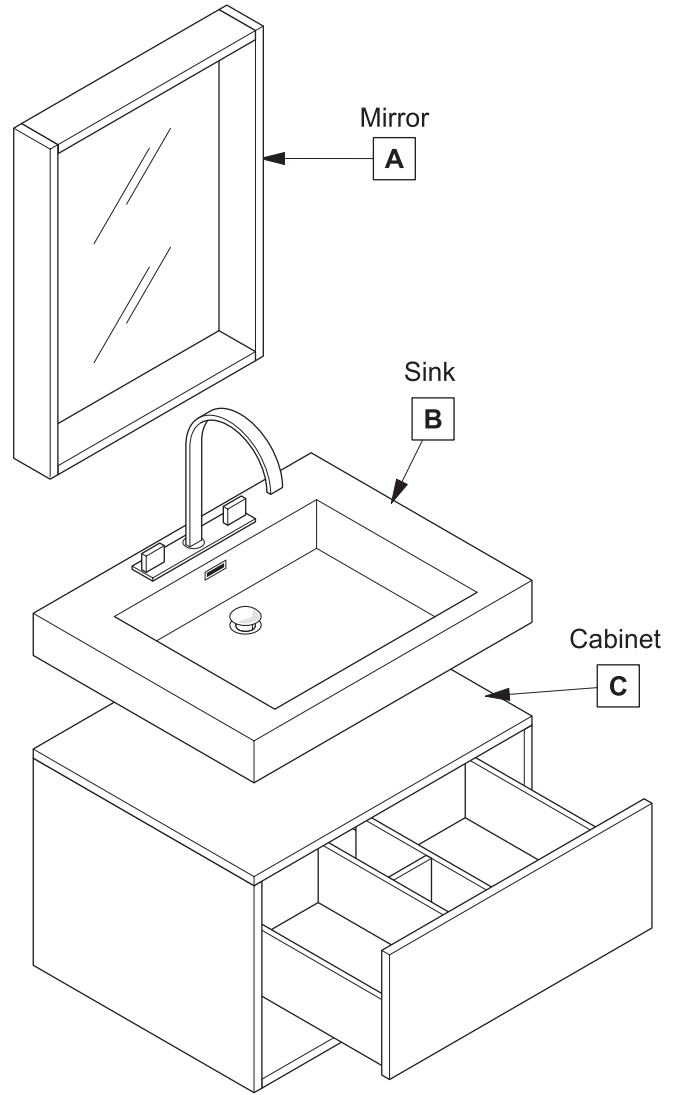
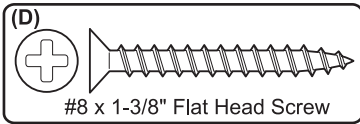
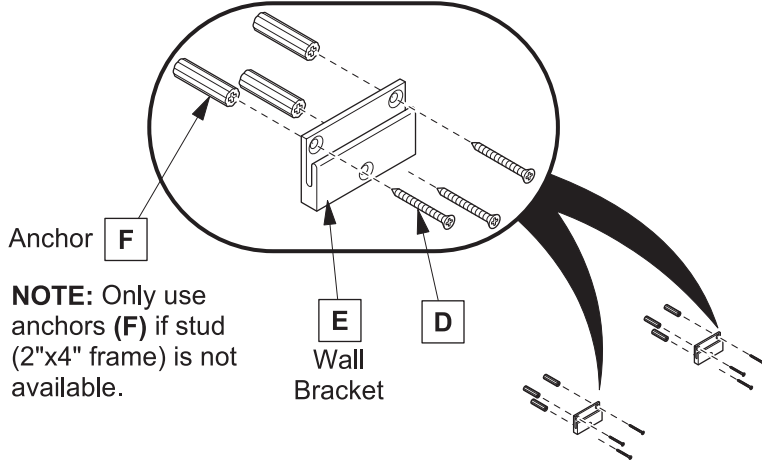


Note: All dimensions and specifications are approximate and subject to change without notice.

**TOOLS FOR ASSEMBLY**

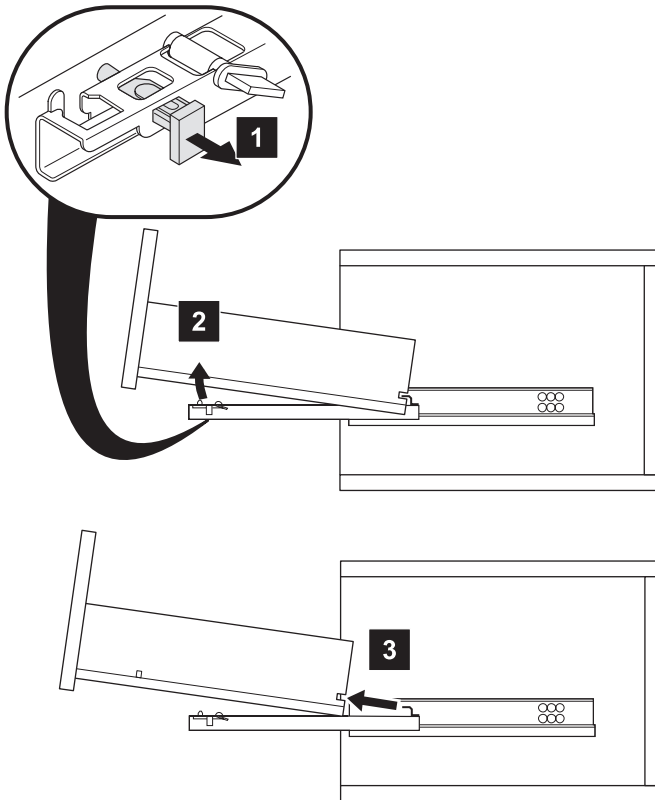


**PARTS**

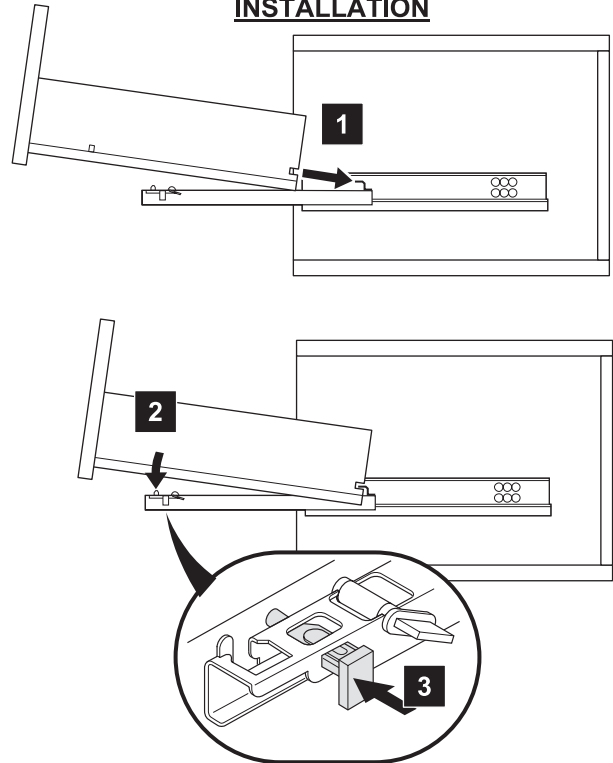


**DRAWER REMOVAL & INSTALLATION**

**REMOVAL**

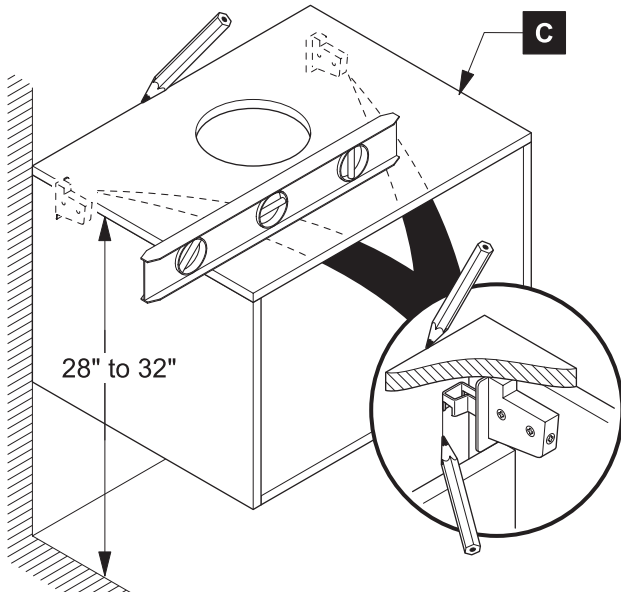
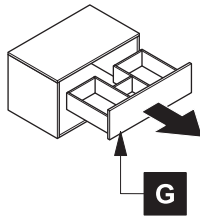


**INSTALLATION**



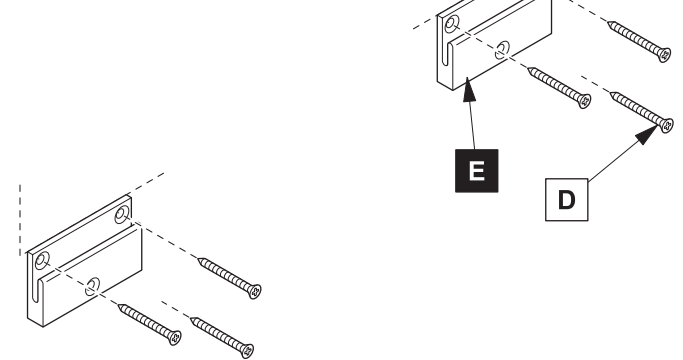
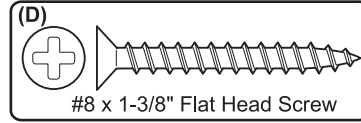
**1** Remove drawer (G)

**2** Locate cabinet (C) & mark location

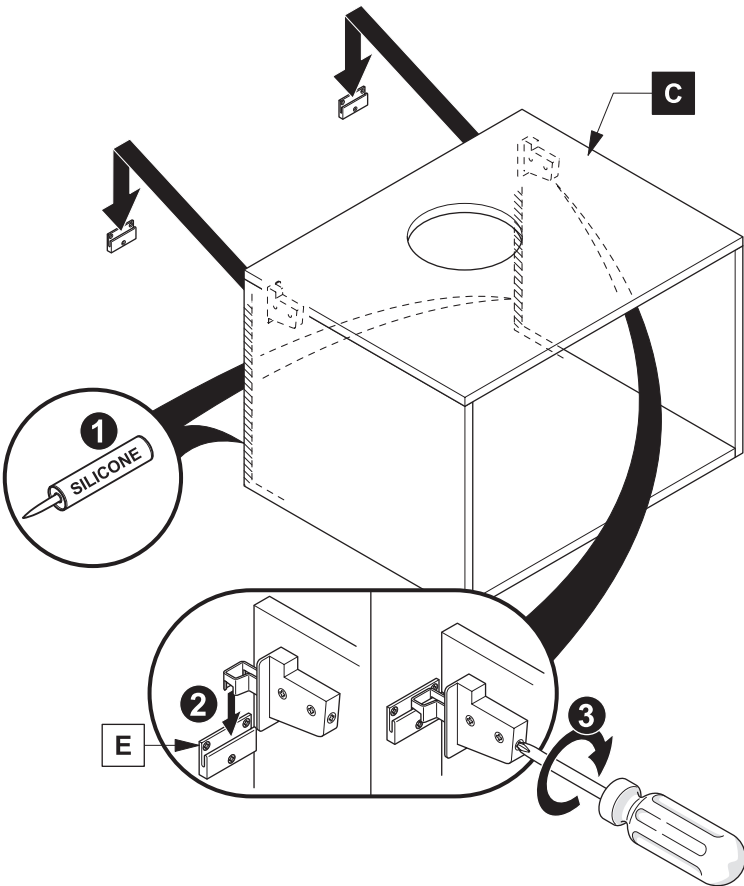


**3** Install wall brackets (E)

**IMPORTANT:** Consult an expert for the proper screws/bolts to use when attaching to various wall constructions. Screws provided do not attach to all wall construction types.

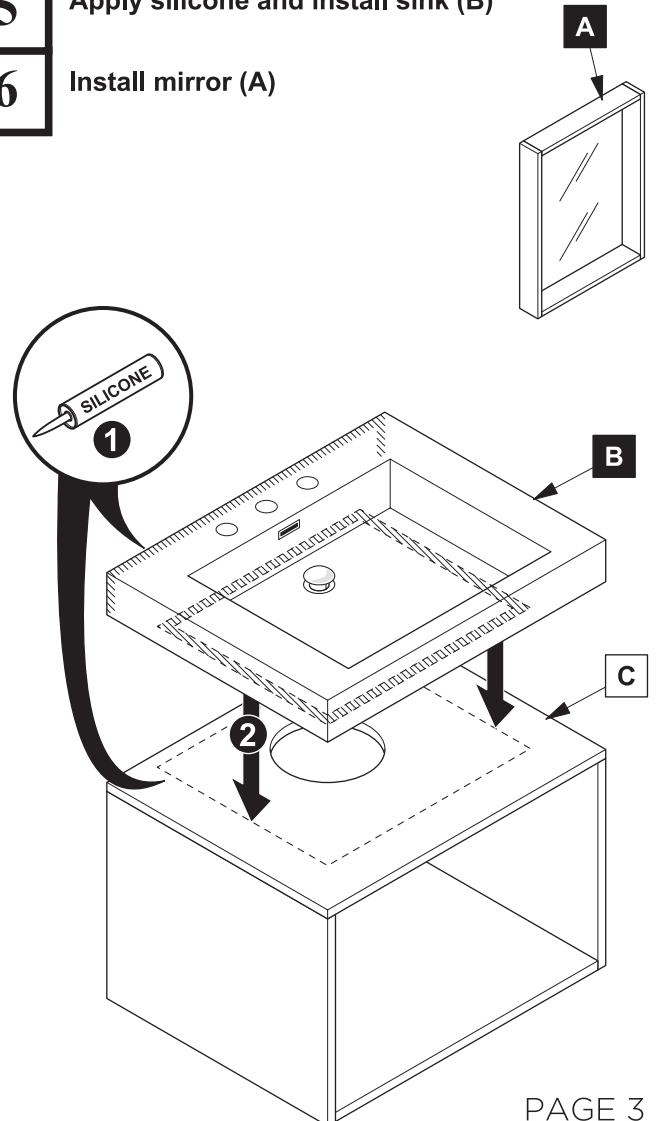


**4** Apply silicone and install cabinet (C)



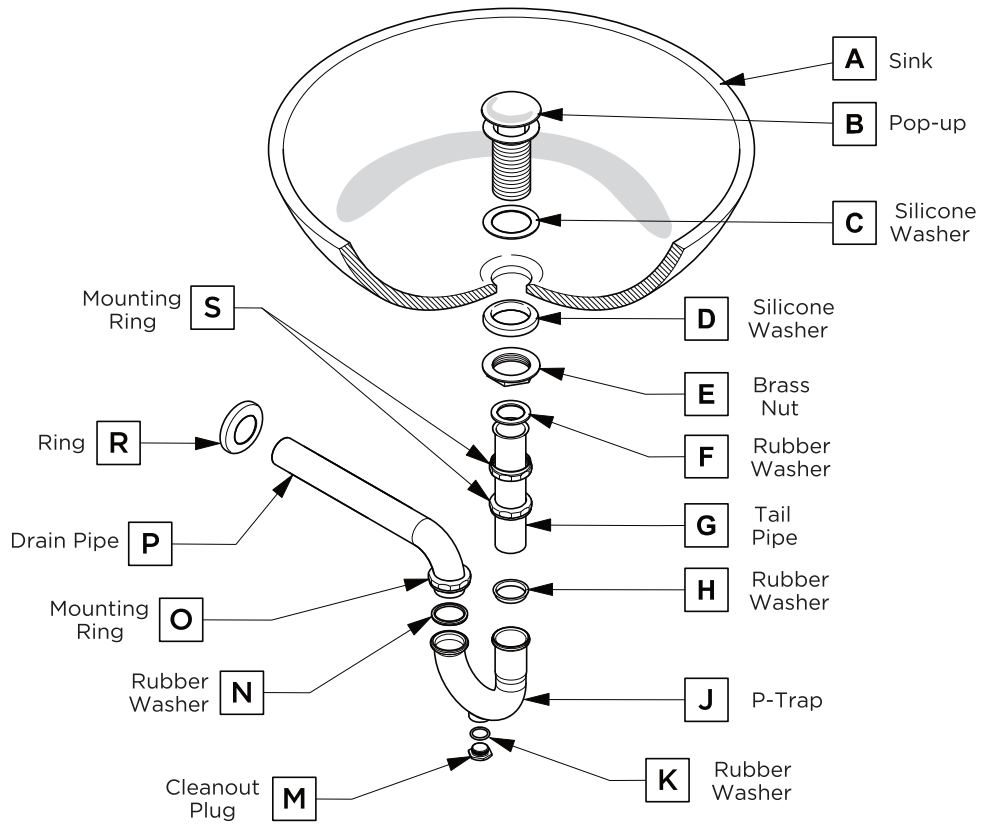
**5** Apply silicone and install sink (B)

**6** Install mirror (A)



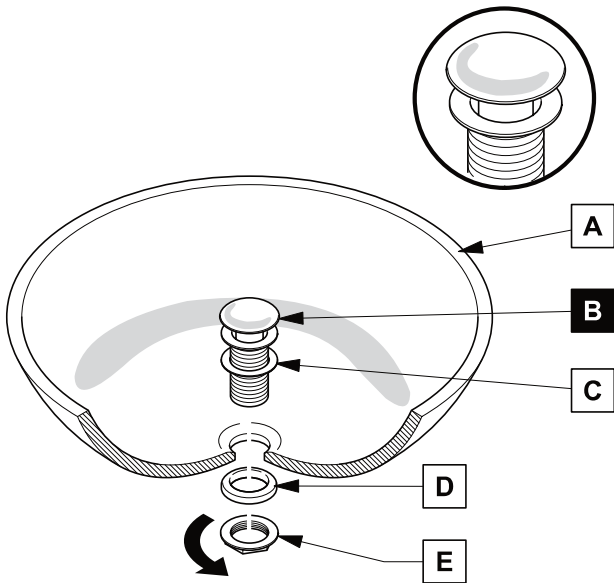
## P-TRAP AND POP-UP INSTALLATION INSTRUCTIONS

Your item may appear slightly different from the illustration



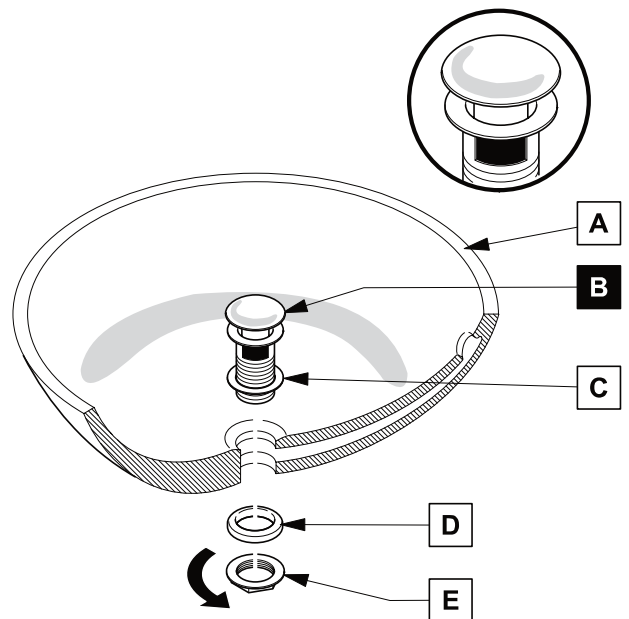
### POP-UP INSTALLATION

#### FOR SINKS WITHOUT OVERFLOW



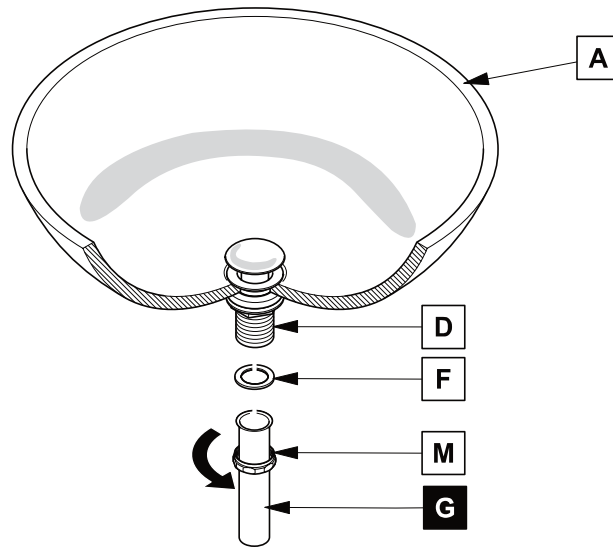
OR

#### FOR SINKS WITH OVERFLOW



**P-TRAP INSTALLATION**

**1** Install tail pipe (G)



**2** Install p-trap (J)

