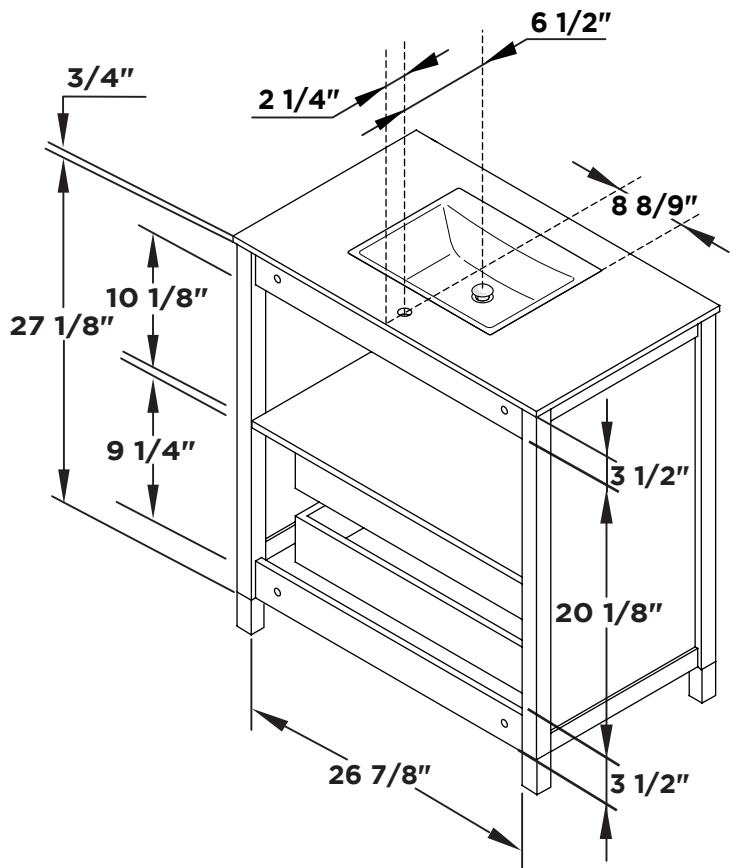
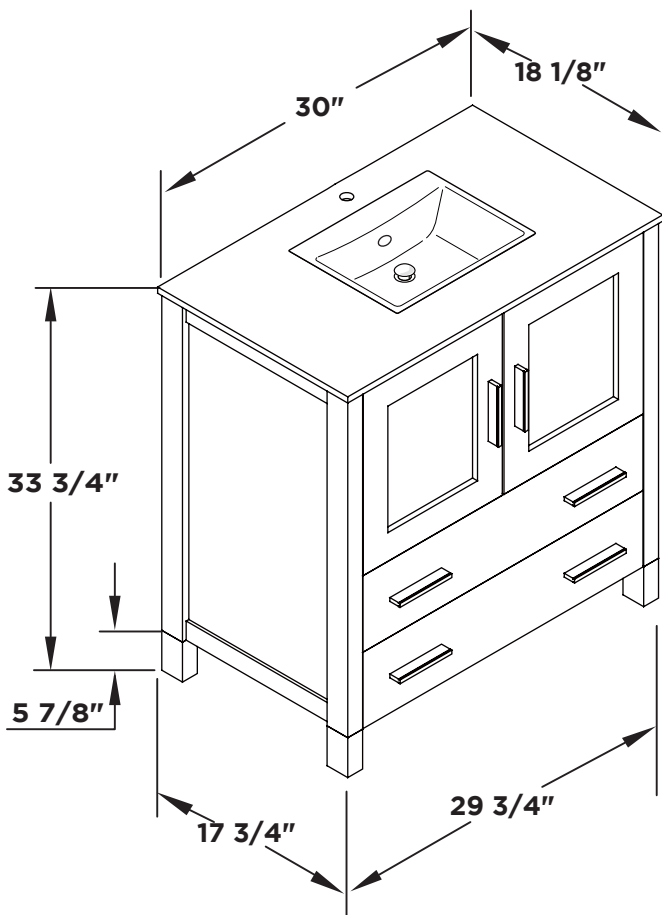
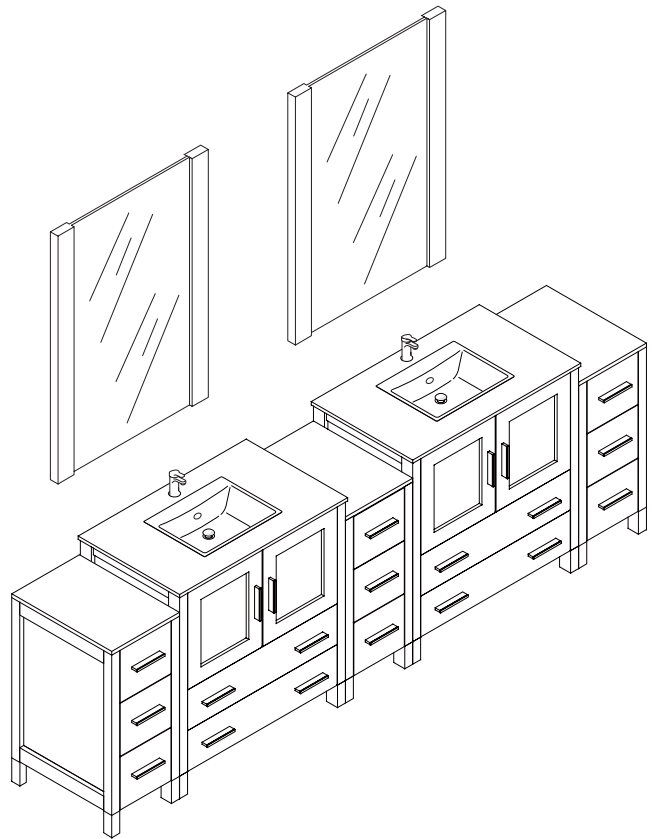
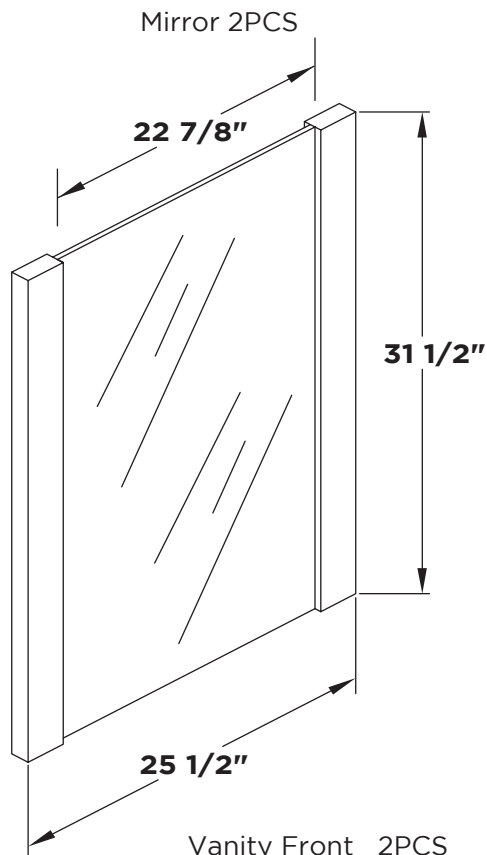


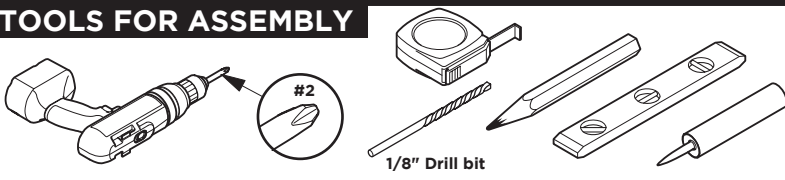
FVN62-96-UNS

# TORINO INSTALLATION GUIDE

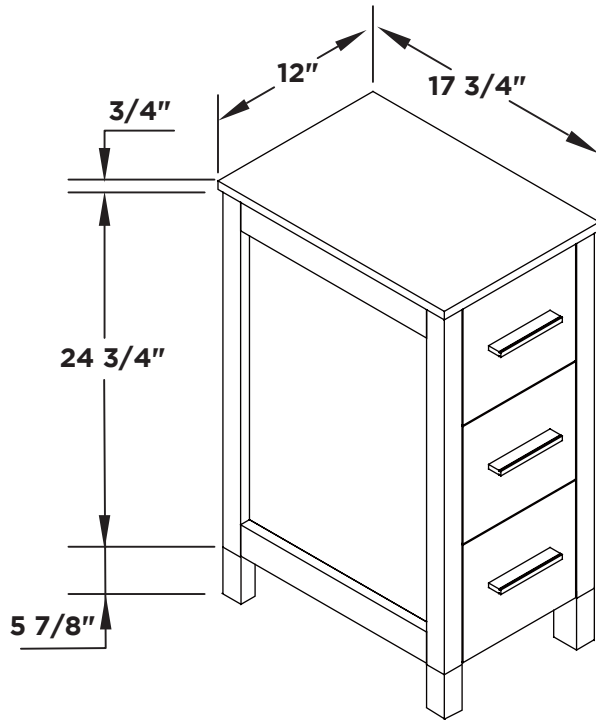
**kitchensource.com**  
1.800.667.8721



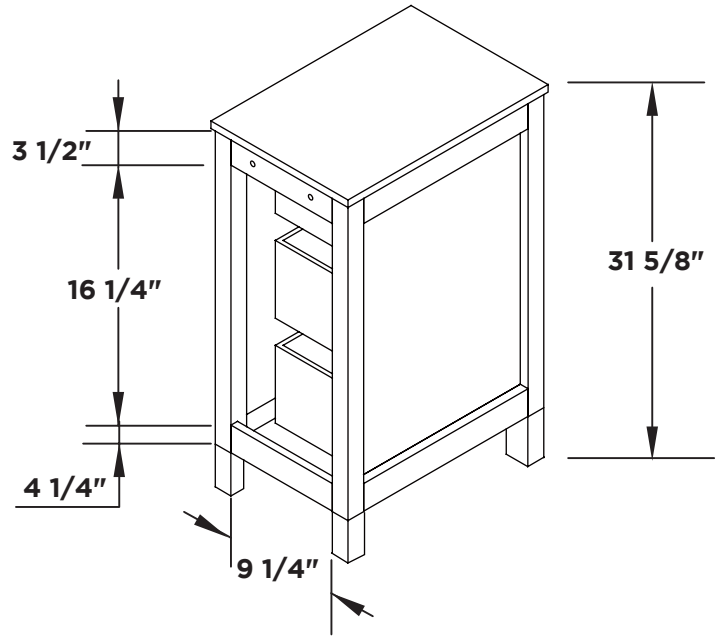
**TOOLS FOR ASSEMBLY**



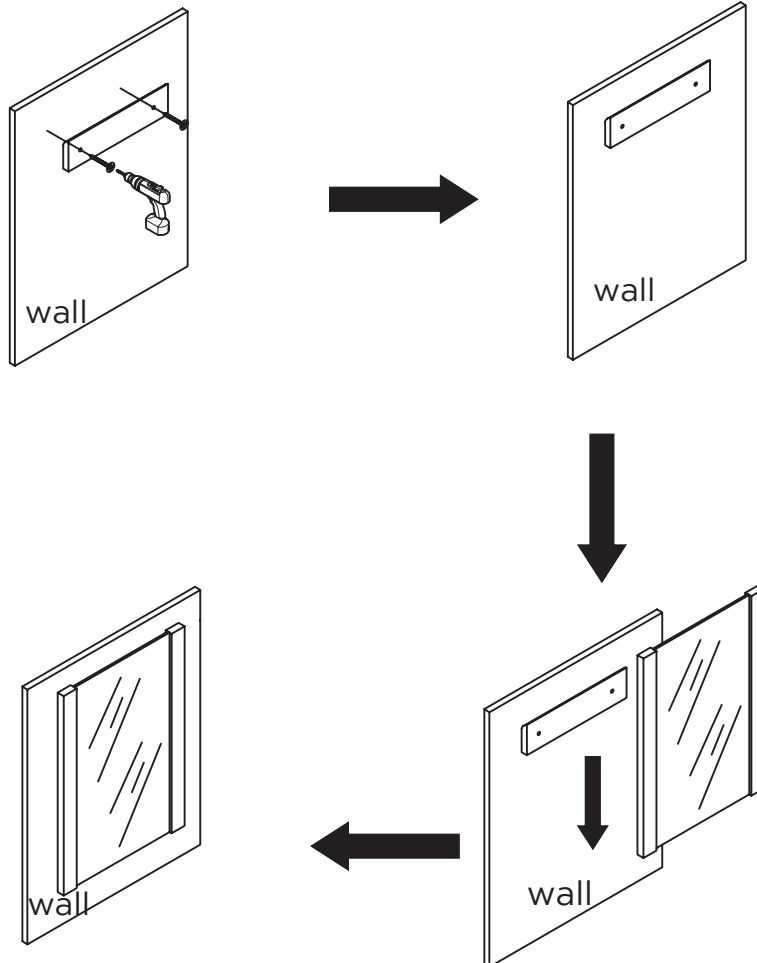
Side Cabinet Front 3PCS



Side Cabinet Back 3PCS

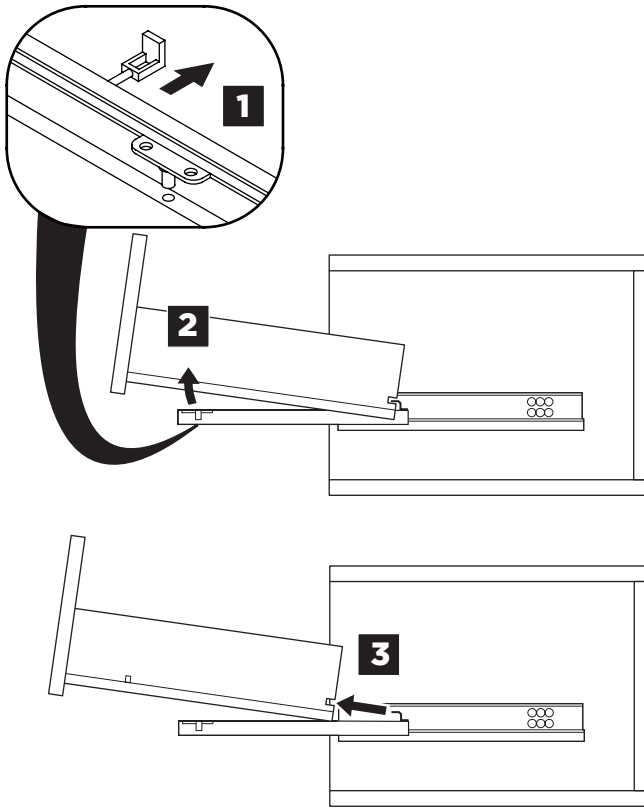


**MIRROR INSTALLATION**

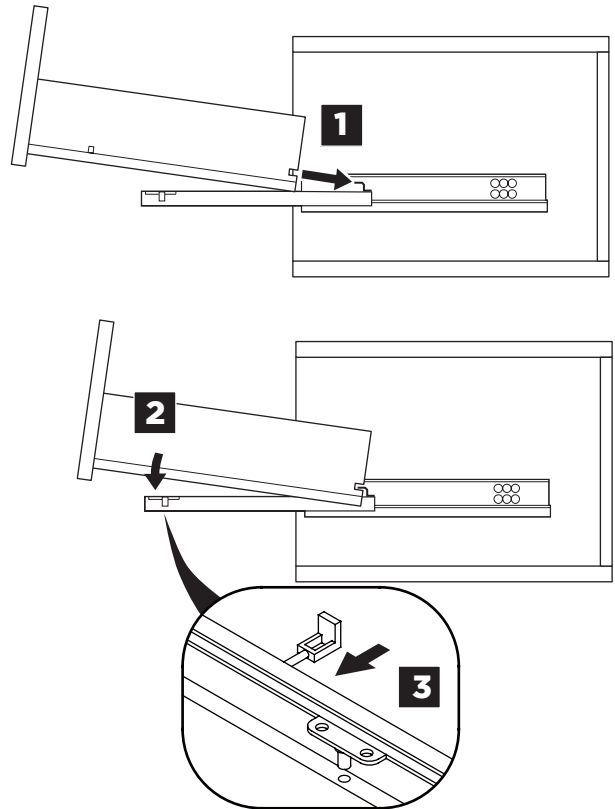


# DRAWER REMOVAL & INSTALLATION

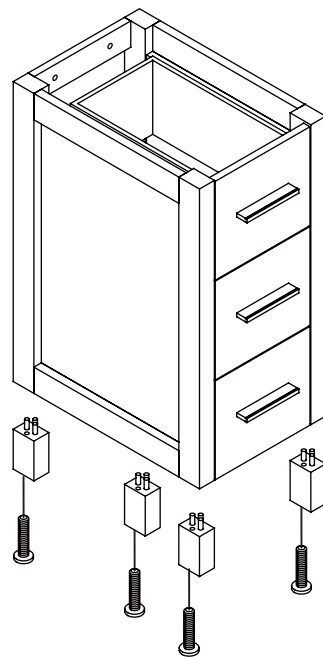
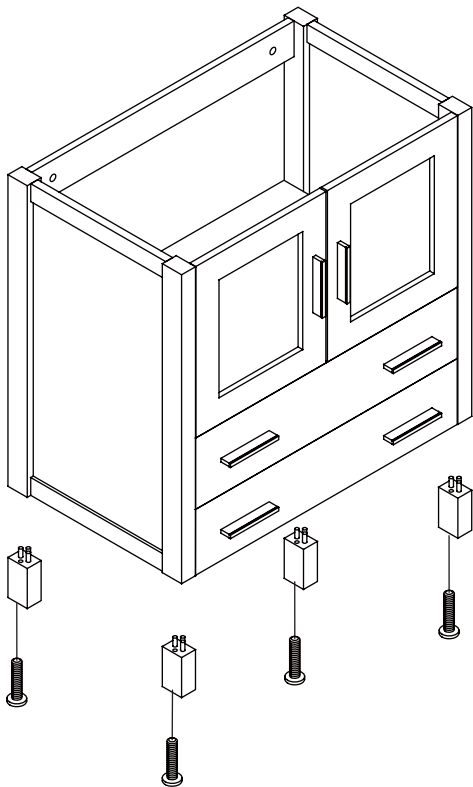
## REMOVAL



## INSTALLATION



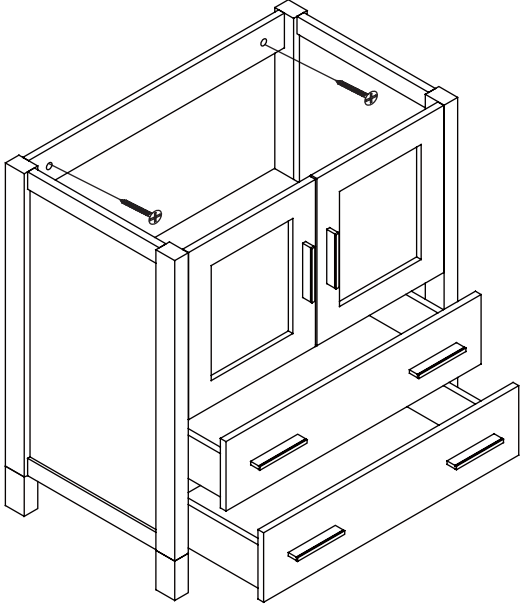
## 1 Install leg



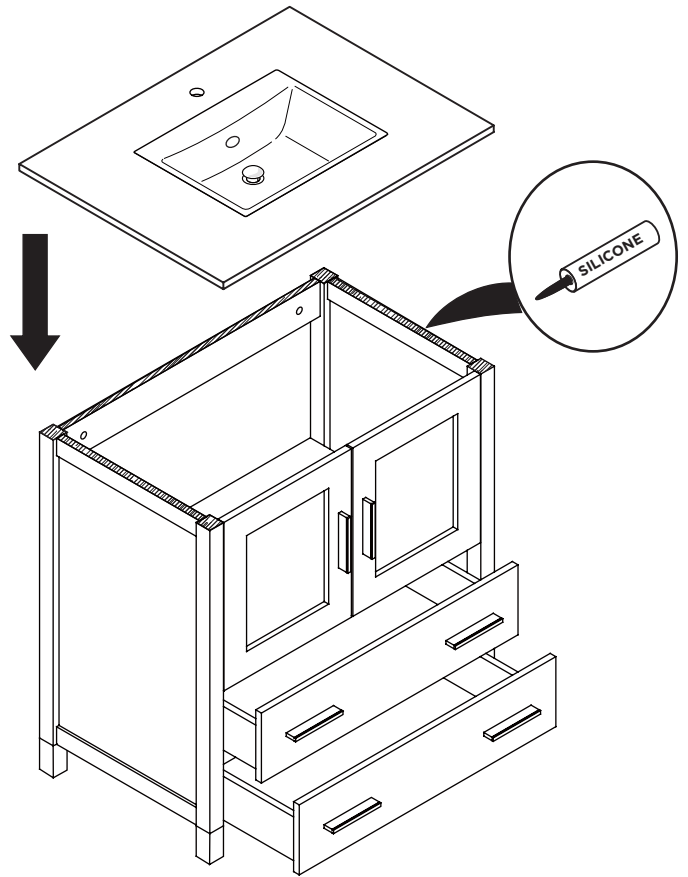
**2** Remove drawer

**3** Install cabinet

**IMPORTANT:** Consult an expert for the proper screws/bolts to use when attaching to various wall constructions. Screws provided do not attach to all wall construction types.

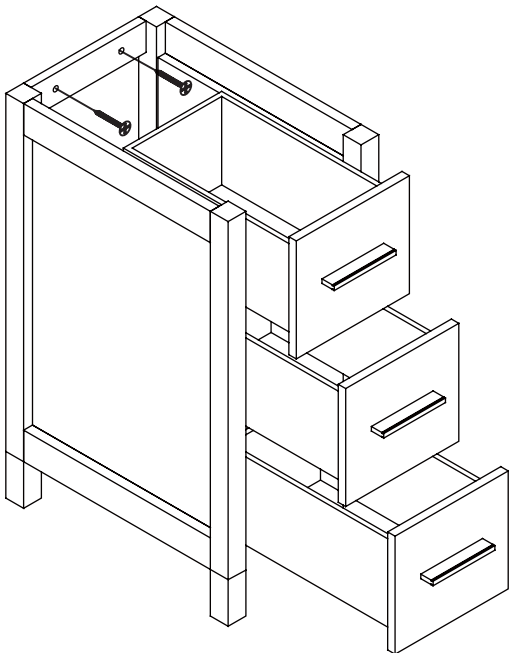


**4** Install top panel

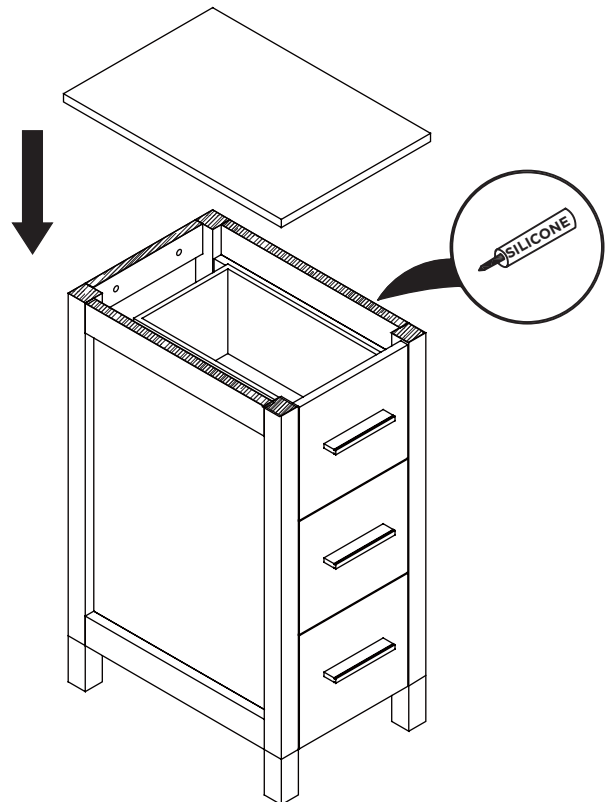


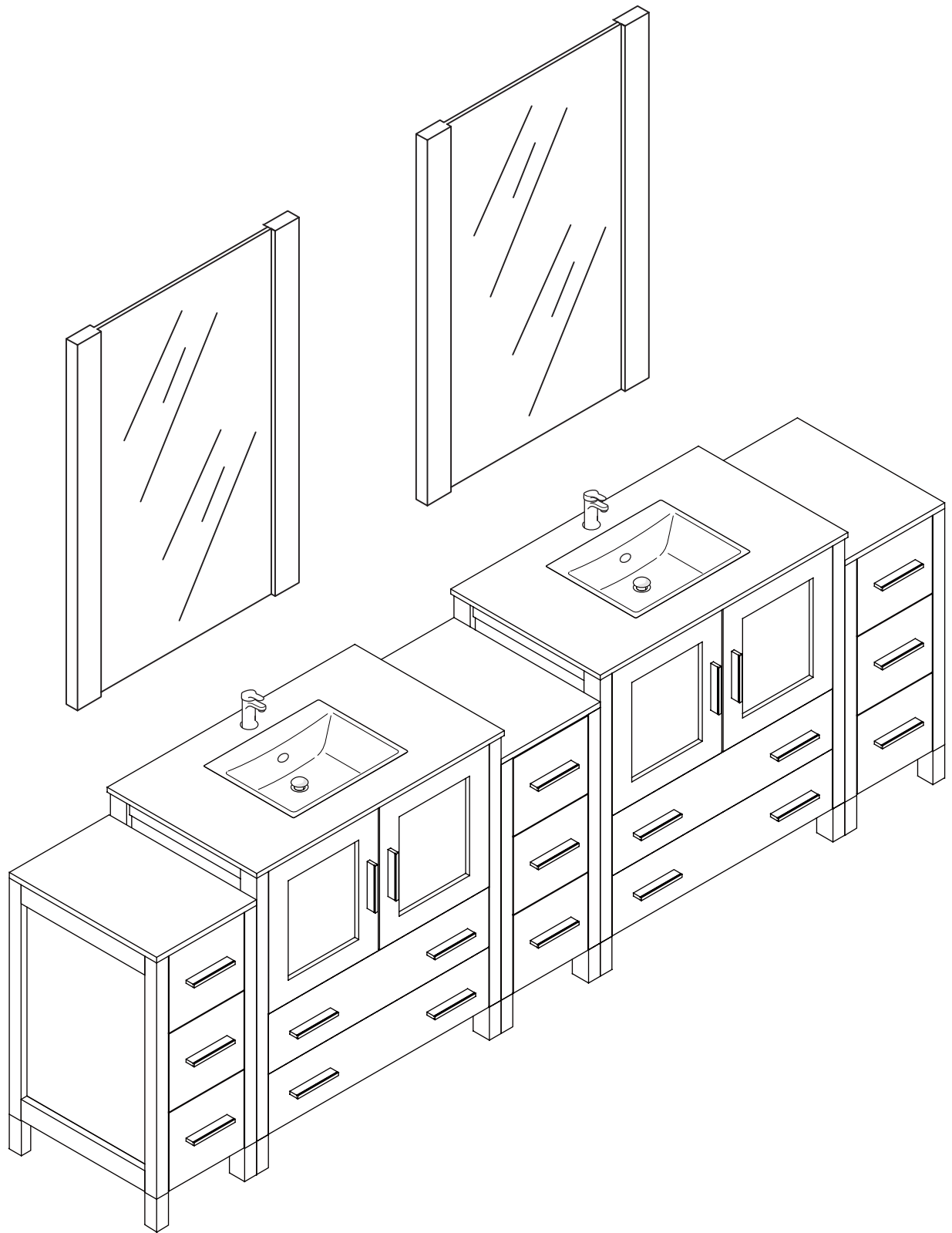
**5** Remove side cabinet drawer

**6** Install side cabinet



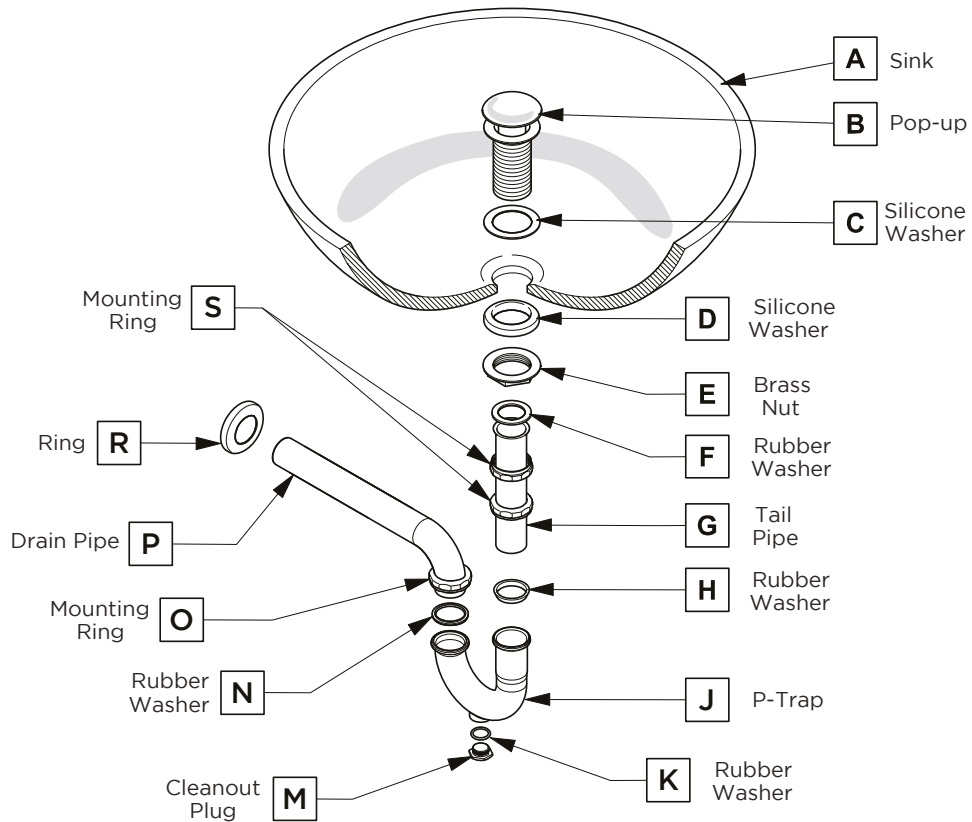
**7** Install side cabinet top panel





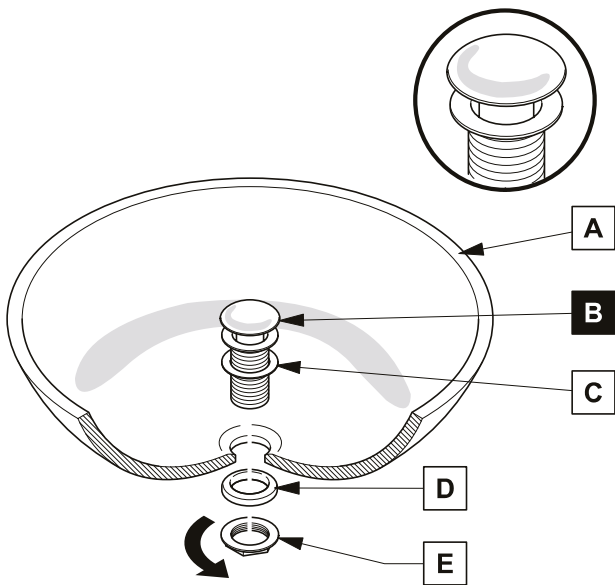
## P-TRAP AND POP-UP INSTALLATION INSTRUCTIONS

Your item may appear slightly different from the illustration



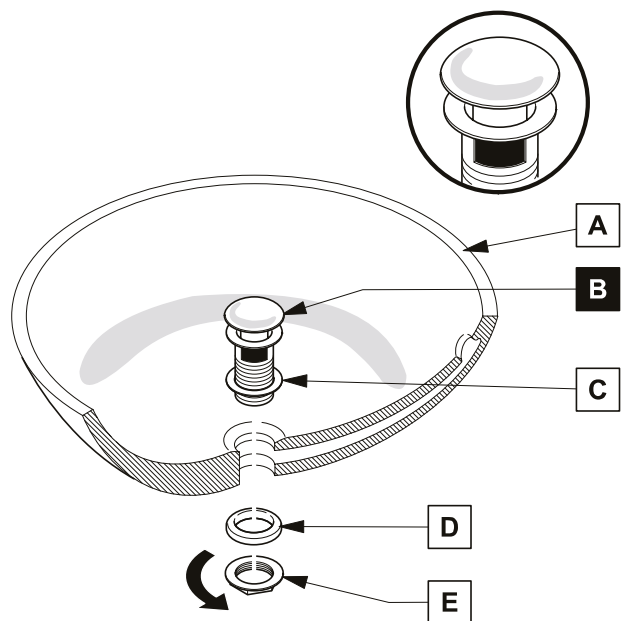
### POP-UP INSTALLATION

#### FOR SINKS WITHOUT OVERFLOW



OR

#### FOR SINKS WITH OVERFLOW



TORINO

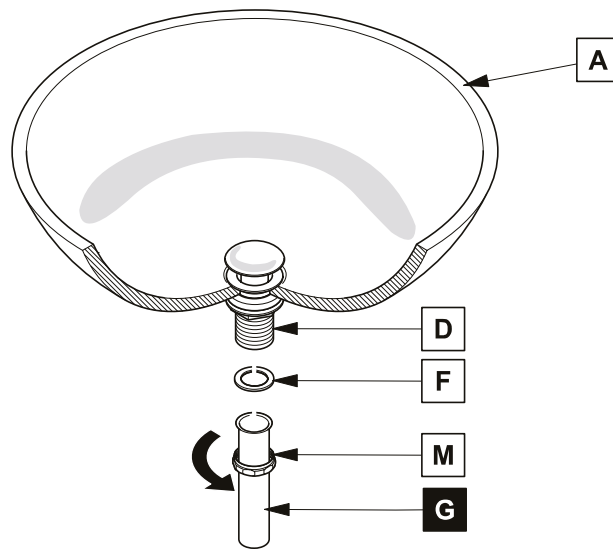
**INSTALLATION GUIDE**

PAGE 6

# P-TRAP INSTALLATION

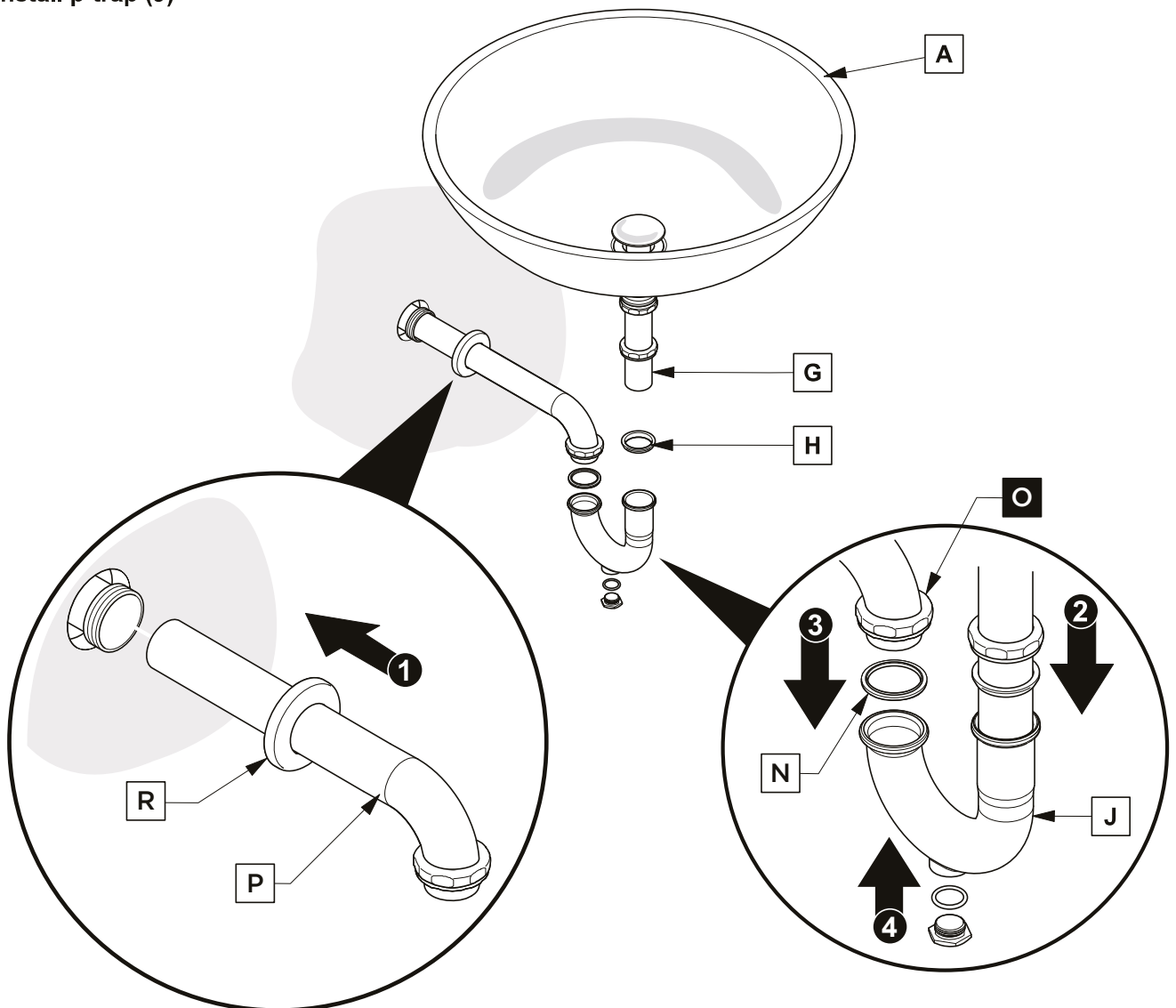
1

Install tail pipe (G)



2

Install p-trap (J)



TORINO

INSTALLATION GUIDE

PAGE 7