



Stella
[COLLECTION]
LUCERA
FVN6160-UNS-D
INSTALLATION GUIDE
CONTENTS:

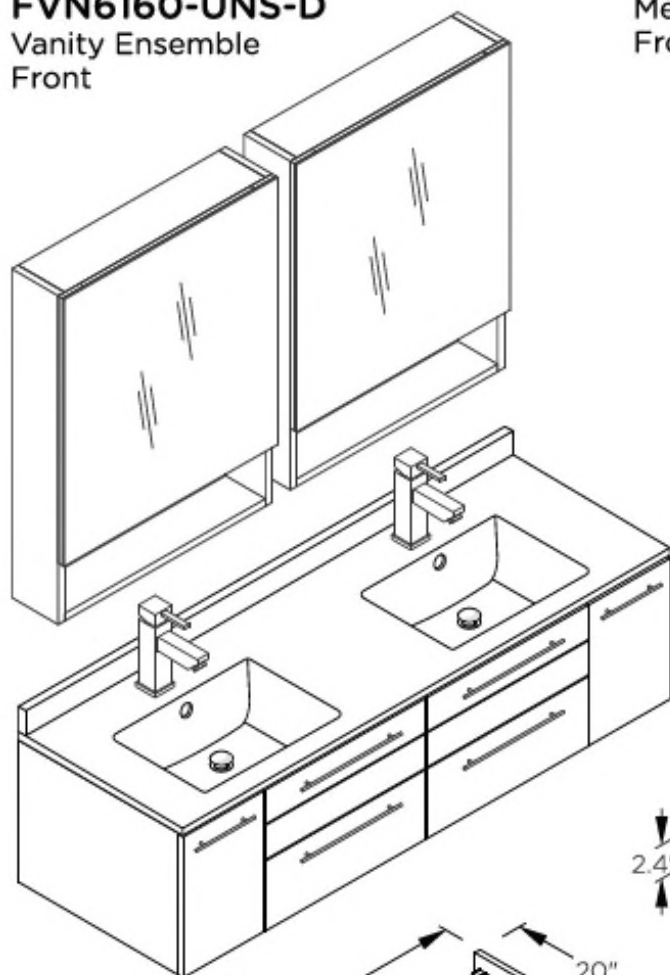
Medicine Cabinet.....	FMC6124.....	PAGE 2
Cabinet.....	FCB6160-UNS-D.....	PAGE 3
Counter Top /Sink.....	FCT2061WH-D-CMB.....	PAGE 4



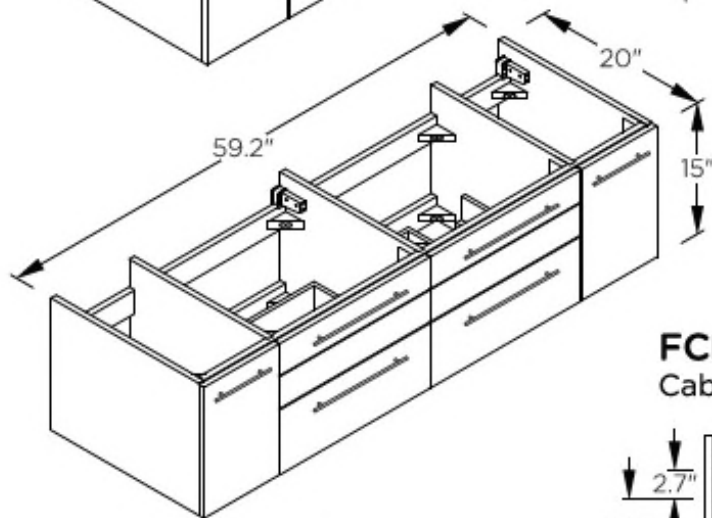
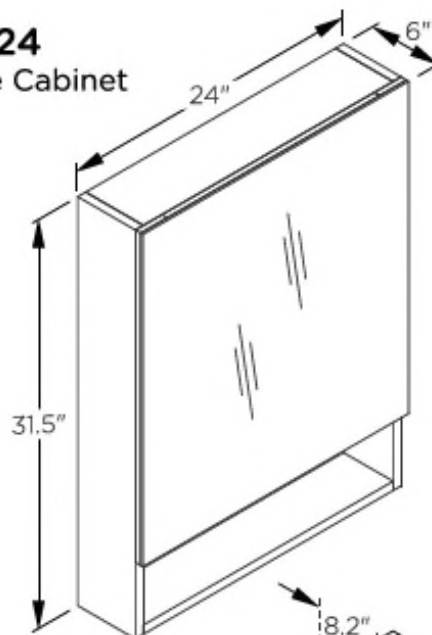
FVN6160-UNS-D
LUCERA
 INSTALLATION GUIDE



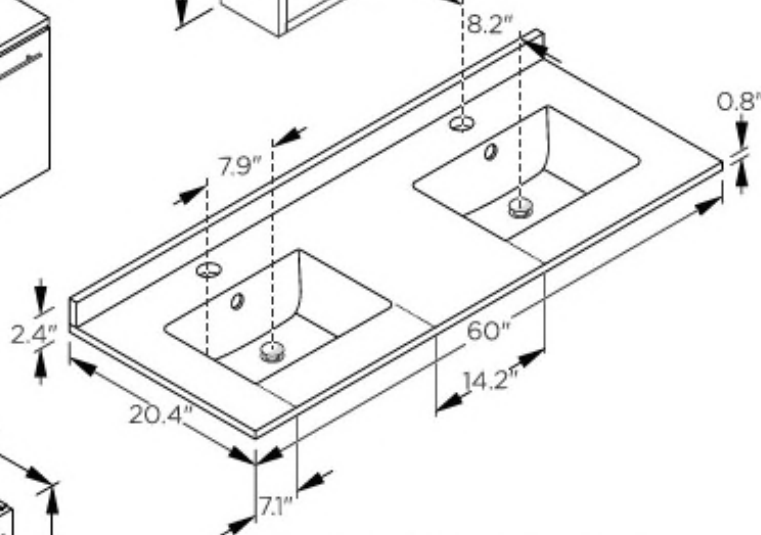
FVN6160-UNS-D
 Vanity Ensemble
 Front



FMC6124
 Medicine Cabinet
 Front

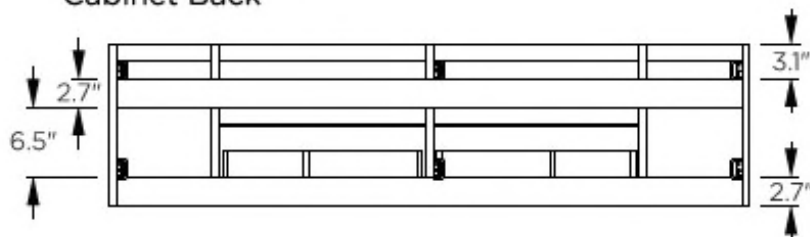


FCB6160-UNS-D
 Cabinet Front



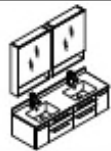
FCT2061WH-D-CMB
 Counter Top Front

FCB6160-UNS-D
 Cabinet Back



>All dimensions & specifications are approximate and subject to change without notice.

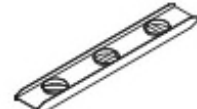




FVN6160-UNS-D LUCERA INSTALLATION GUIDE

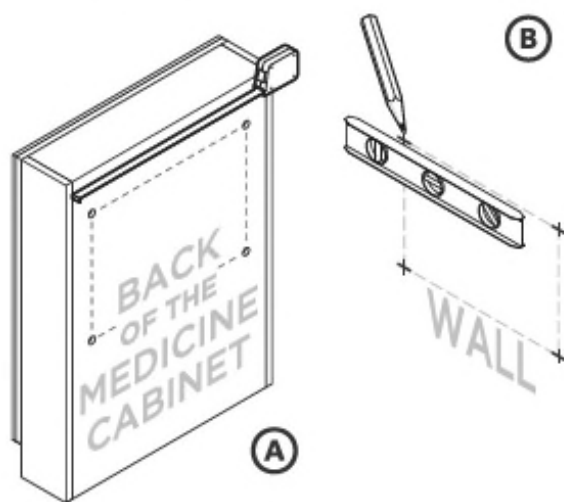


TOOLS FOR ASSEMBLY

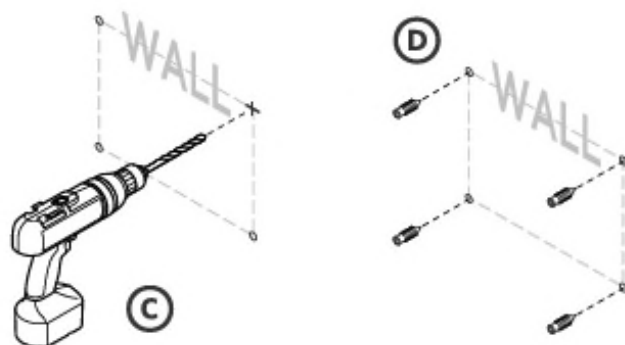


MEDICINE CABINET INSTALLATION

- 1** Measure distance between the mounting holes on the back of a medicine cabinet **A** and mark the perimeter on the wall **B**.

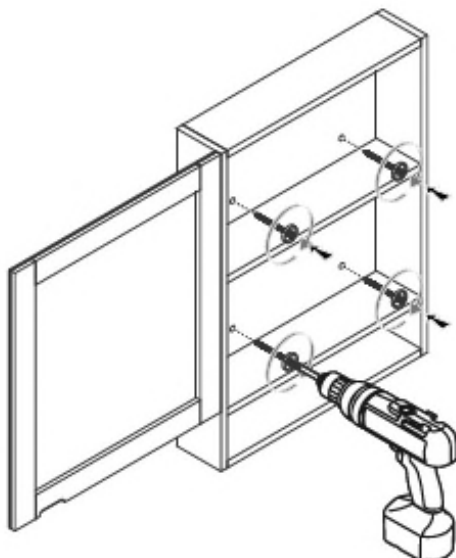


- 2** Once marked, drill the holes in the wall **C**.
*Insert the anchors in the holes **D**.

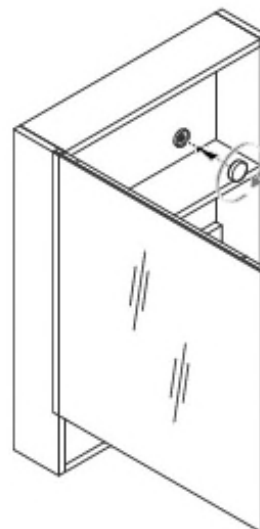


***IMPORTANT:** Consult an expert for the proper screws/bolts to use when attaching to various constructions. Screws provided do not attach to all wall construction types. Anchors are not required if brackets are installed in stud.

- 3** Connect medicine cabinet to the wall using a drill.



- 4** Cover the screws with the screw caps.



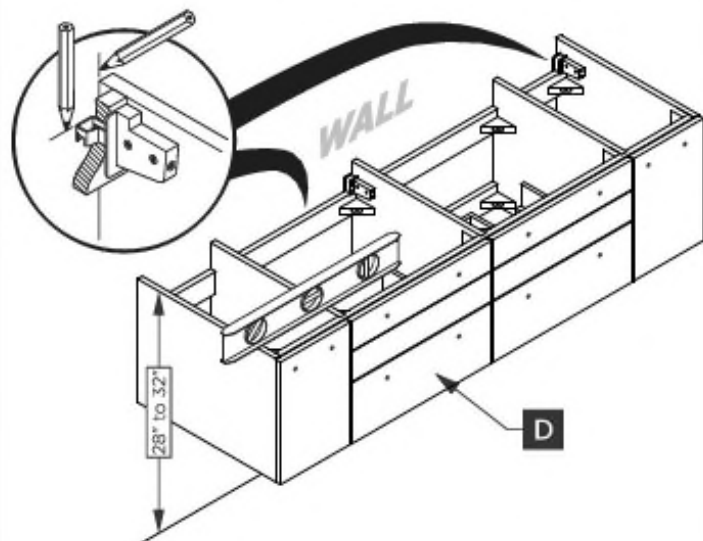


FVN6160-UNS-D LUCERA INSTALLATION GUIDE

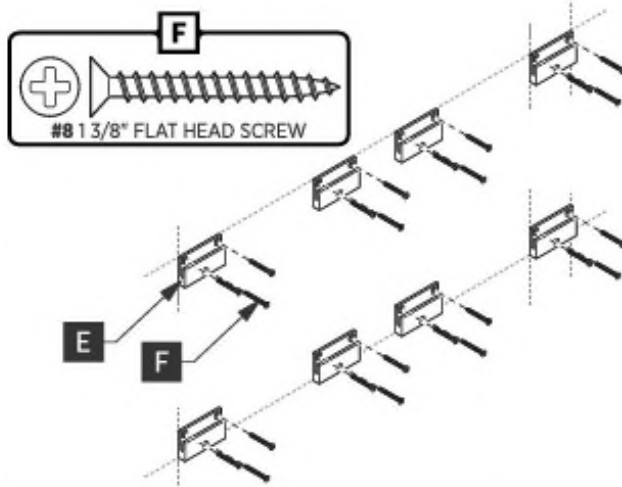


CABINET INSTALLATION

- 1** Place cabinet (D) in designated location and mark the bracket position on the wall.

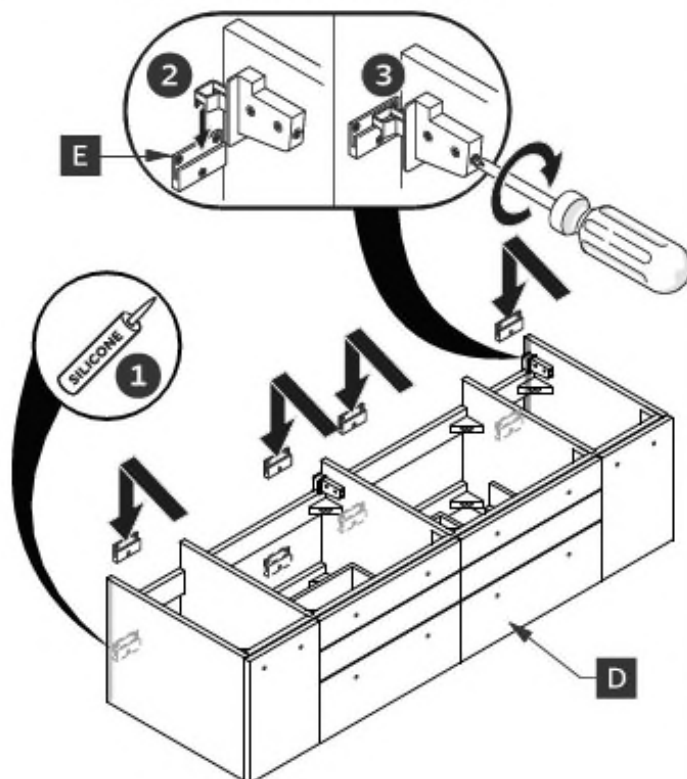


- 2** Attach wall brackets (E) to the wall with the screws (F).

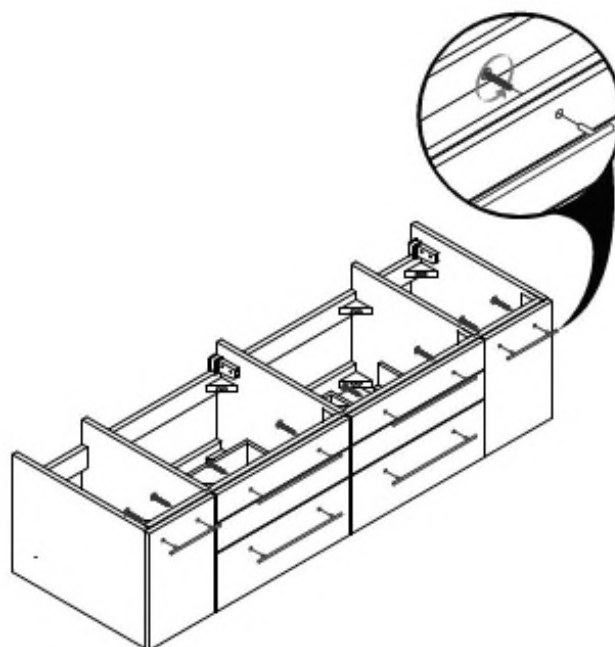


IMPORTANT: Consult an expert for the proper screws/bolts to use when attaching to various constructions. Screws provided do not attach to all wall construction types. Anchors are not required if brackets are installed in stud.

- 3** Apply a bead of the silicone and hang a cabinet (D) on the brackets (E).



- 4** Attach the handles to the cabinet.





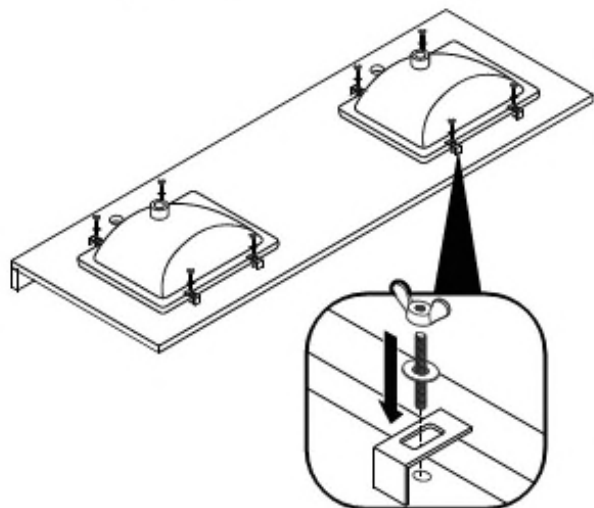
FVN6160-UNS-D LUCERA INSTALLATION GUIDE



CABINET INSTALLATION

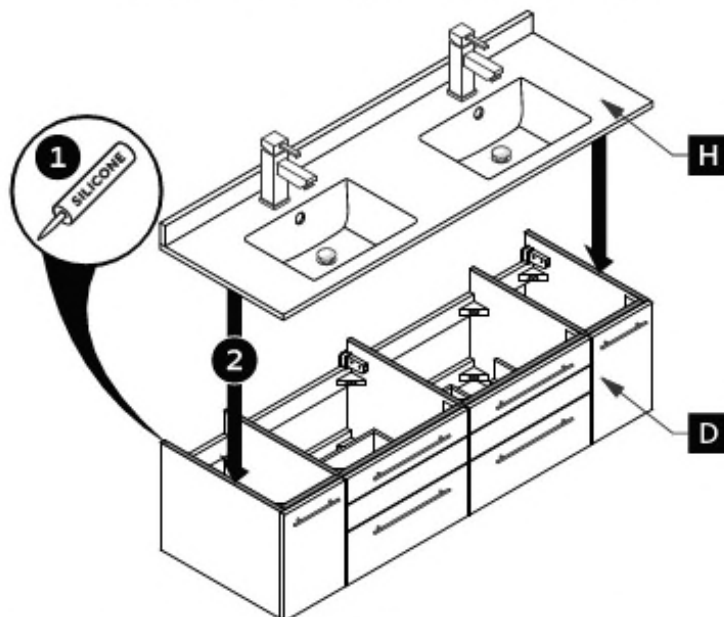
5

Flip the counter top upside down and attach the sinks to it using provided brackets & screws.



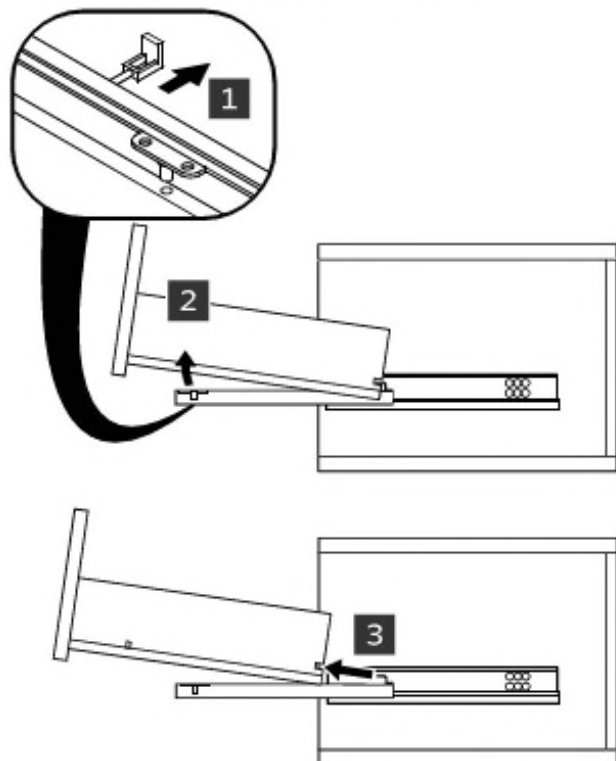
6

Put a bead of silicone on the top of the cabinet (D) then place counter top/ sinks (H) on the top of it.

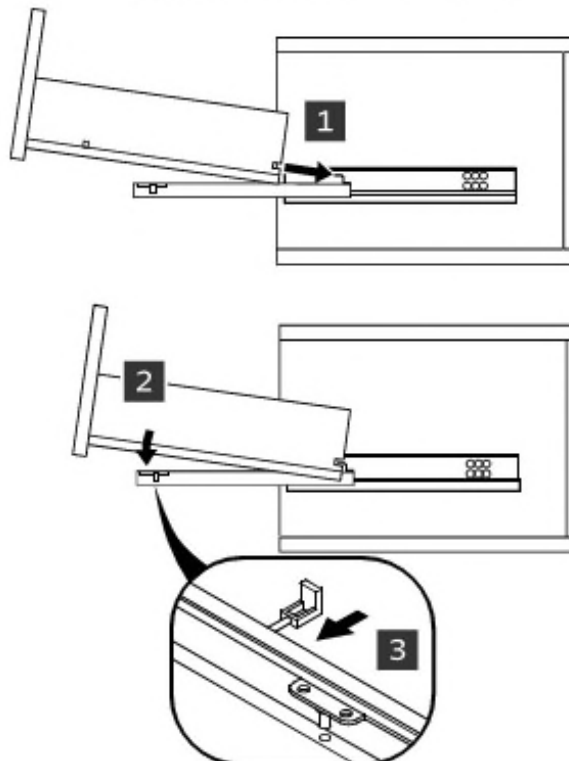


DRAWER REMOVAL & INSTALLATION

DRAWER REMOVAL



DRAWER INSTALLATION





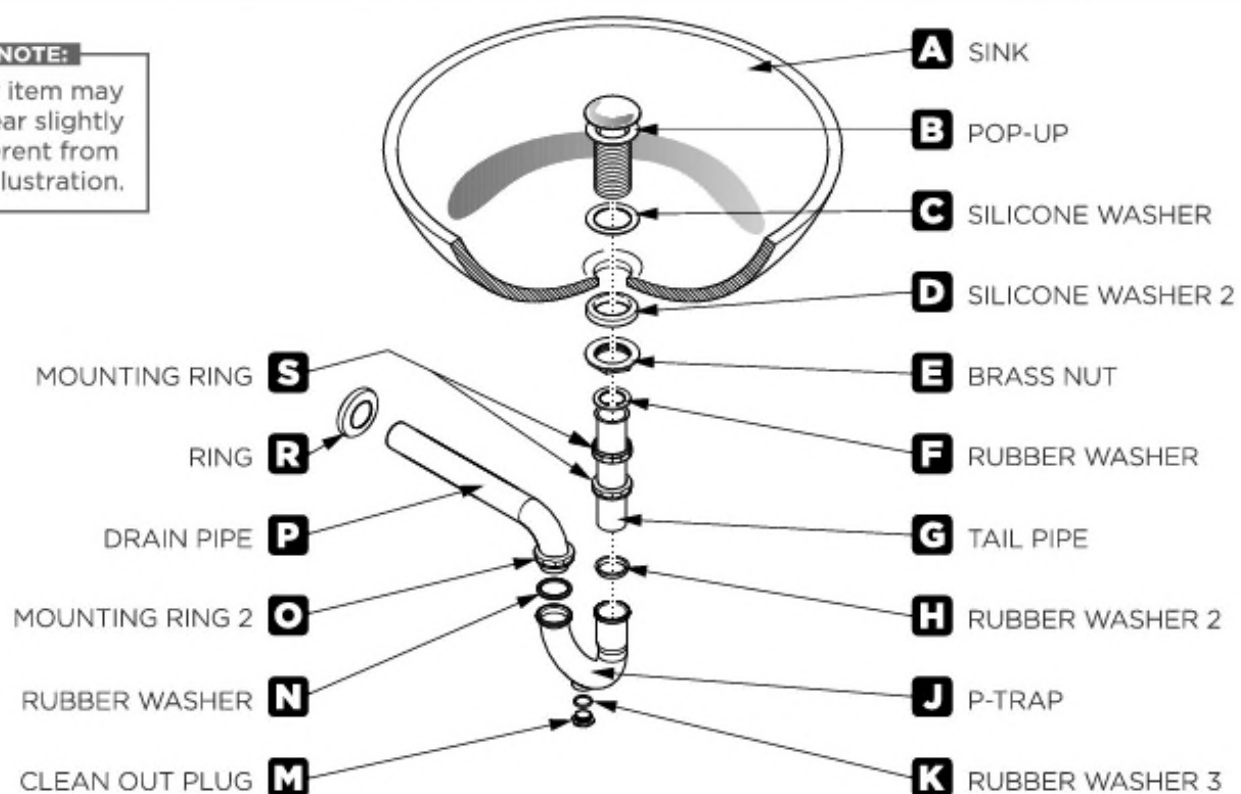
FVN6160-UNS-D LUCERA INSTALLATION GUIDE



P-TRAP AND POP-UP INSTALLATION INSTRUCTIONS

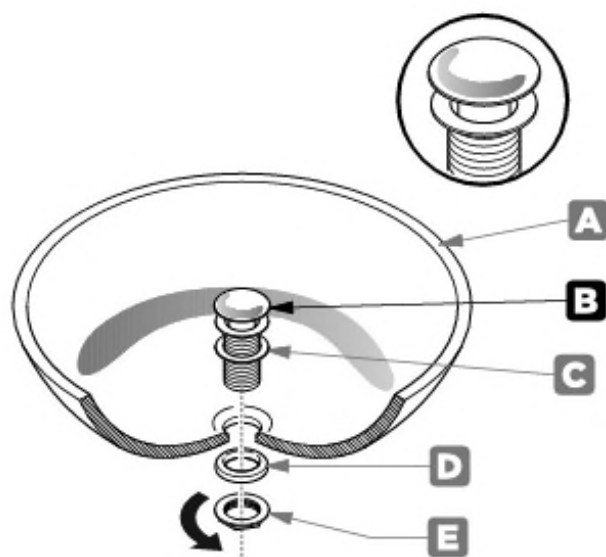
NOTE:

Your item may appear slightly different from the illustration.



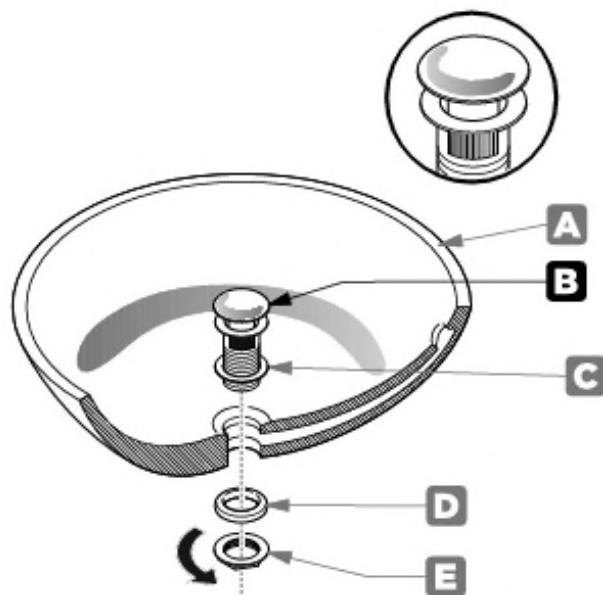
POP-UP INSTALLATION INSTRUCTIONS

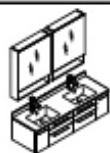
**FOR SINKS
WITHOUT OVERFLOW**



OR

**FOR SINKS
WITH OVERFLOW**

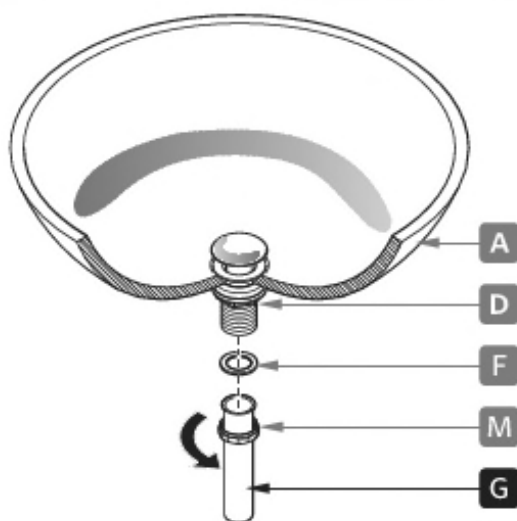




P-TRAP INSTALLATION

1

Install tail pipe (G).



2

Connect P-trap (J).

