



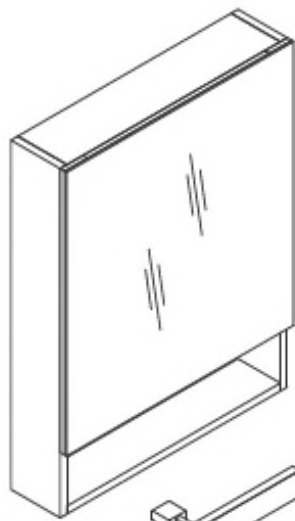
Stella
[COLLECTION]
LUCERA
FVN6130-UNS

INSTALLATION GUIDE
CONTENTS:

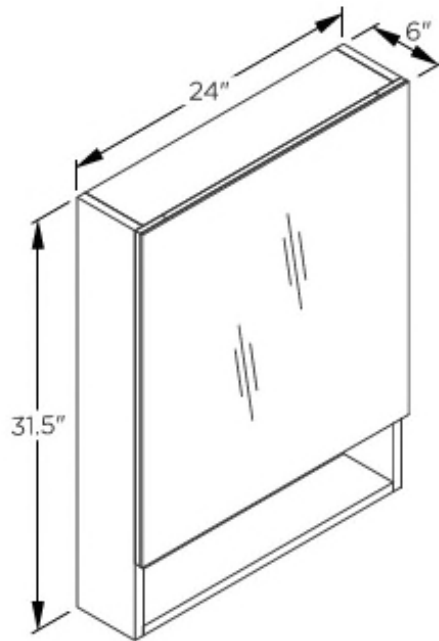
Medicine Cabinet.....	FMC6124.....	PAGE 2
Cabinet.....	FCB6130-UNS.....	PAGE 3
Sink / Counter Top.....	FCT2030WH-CMB.....	PAGE 4



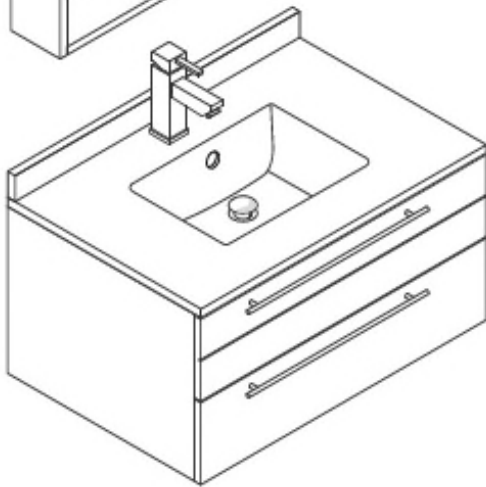
FVN6130-UNS
LUCERA
INSTALLATION GUIDE



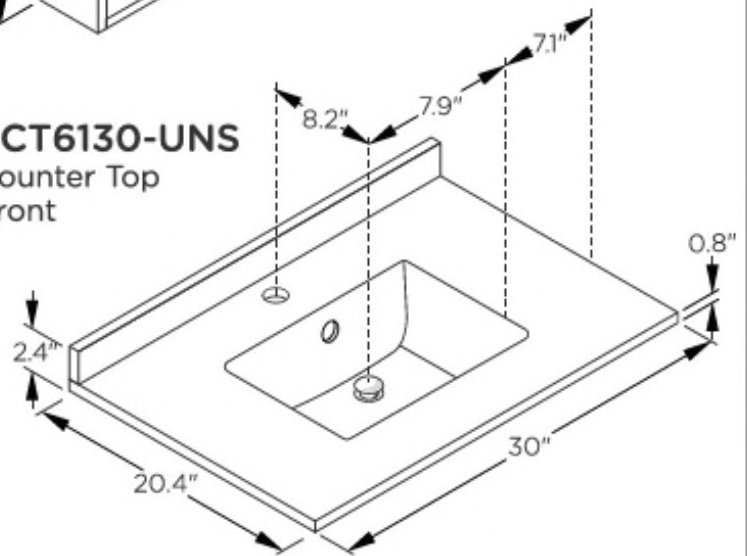
FVN6130-UNS
Vanity Ensemble
Front



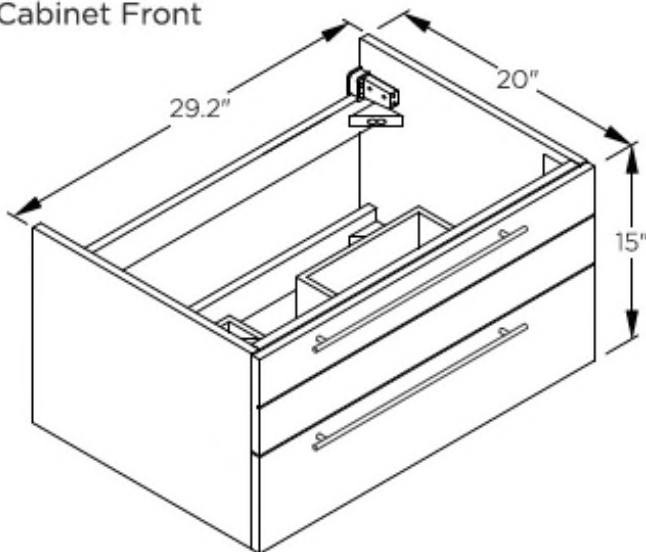
FMC6124
Medicine Cabinet
Front



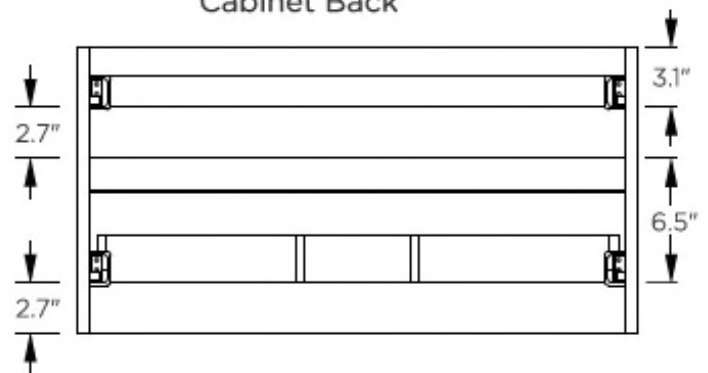
FCT6130-UNS
Counter Top
Front



FCB6130-UNS
Cabinet Front



FCB6130-UNS
Cabinet Back



>All dimensions & specifications are approximate and subject to change without notice.

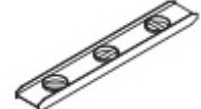




FVN6130-UNS LUCERA INSTALLATION GUIDE

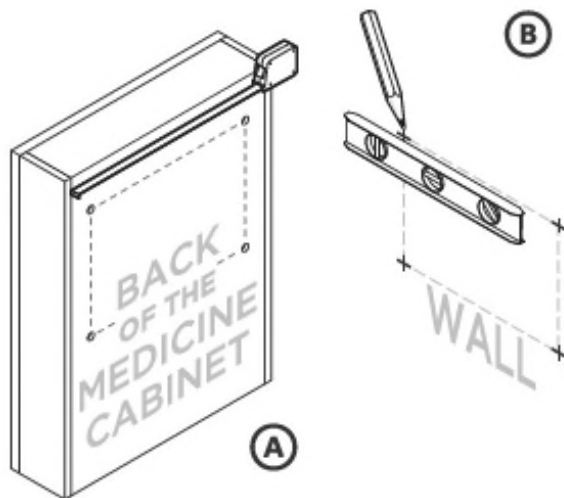


TOOLS FOR ASSEMBLY

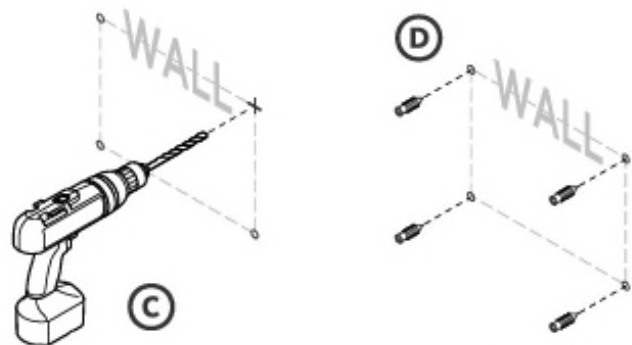


MEDICINE CABINET INSTALLATION

- 1** Measure distance between the mounting holes on the back of a medicine cabinet **(A)** and mark the perimeter on the wall **(B)**.

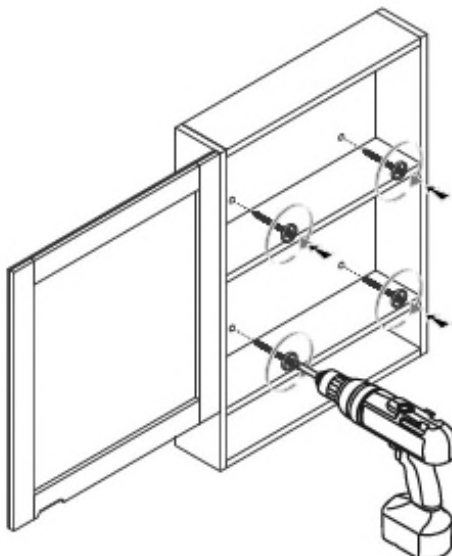


- 2** Once marked, drill the holes in the wall **(C)**.
*Insert the anchors in the holes **(D)**.

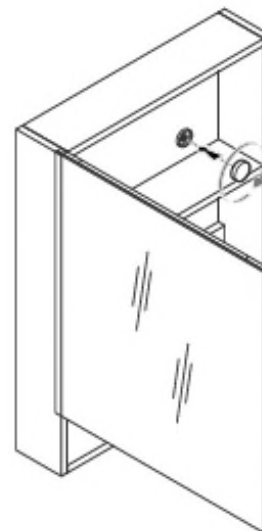


***IMPORTANT:** Consult an expert for the proper screws/bolts to use when attaching to various constructions. Screws provided do not attach to all wall construction types. Anchors are not required if brackets are installed in stud.

- 3** Connect medicine cabinet to the wall using a drill.



- 4** Cover the screws with the screw caps.



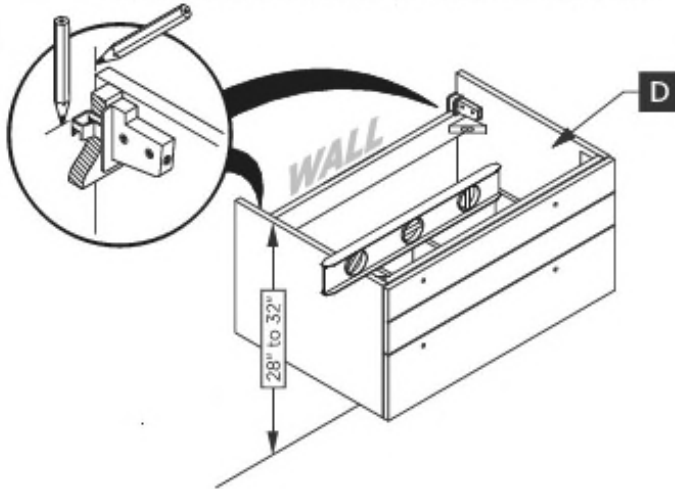


FVN6130-UNS LUCERA INSTALLATION GUIDE

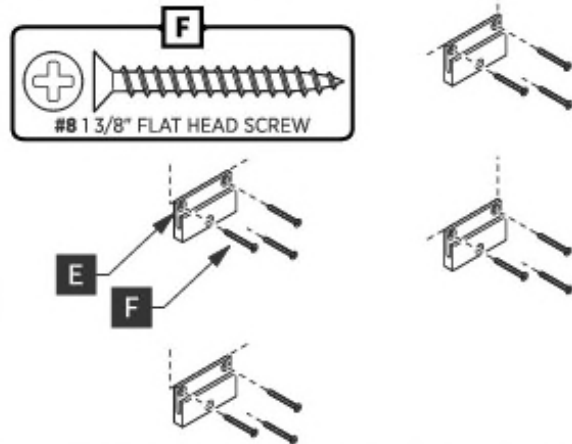


CABINET INSTALLATION

- 1** Place cabinet (D) in the designated location and mark the bracket position on the wall.

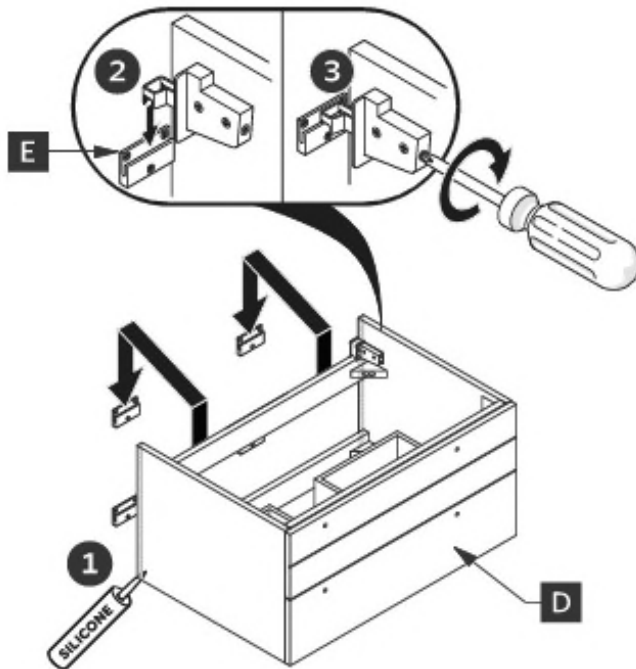


- 2** Attach the wall brackets (E) to the wall with the screws (F).

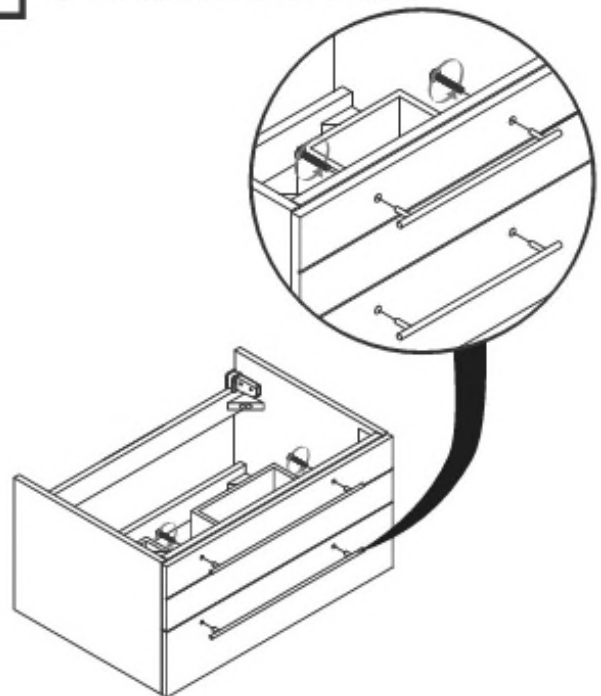


IMPORTANT: Consult an expert for the proper screws/bolts to use when attaching to various constructions. Screws provided do not attach to all wall construction types. Anchors are not required if brackets are installed in stud.

- 3** Apply a bid of silicone and hang cabinet (D) on the brackets.



- 4** Attach the handles to cabinet.





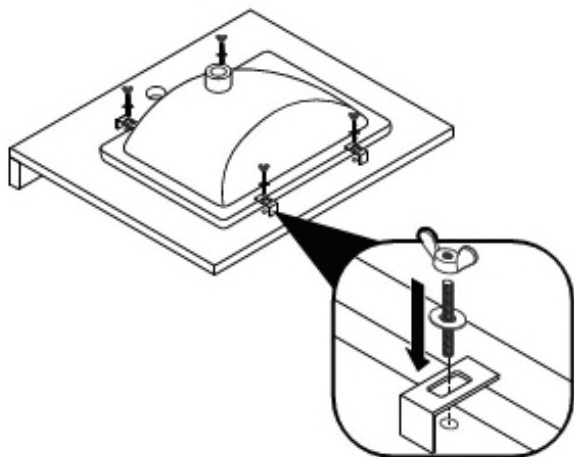
FVN6130-UNS LUCERA INSTALLATION GUIDE



CABINET INSTALLATION

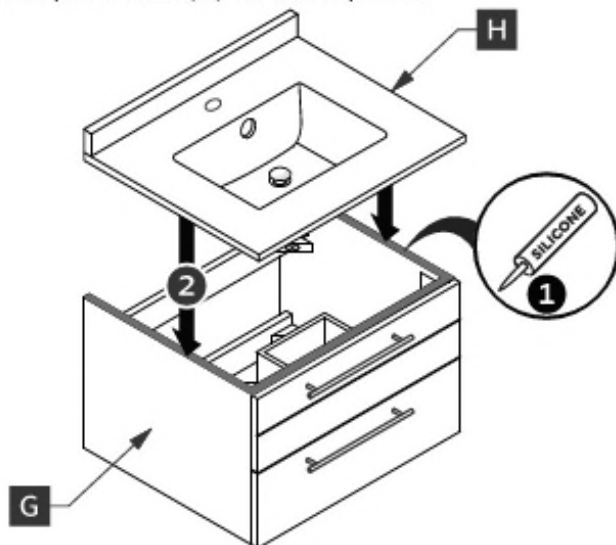
5

Flip the counter top upside down and attach sink to it using provided brackets & screws.



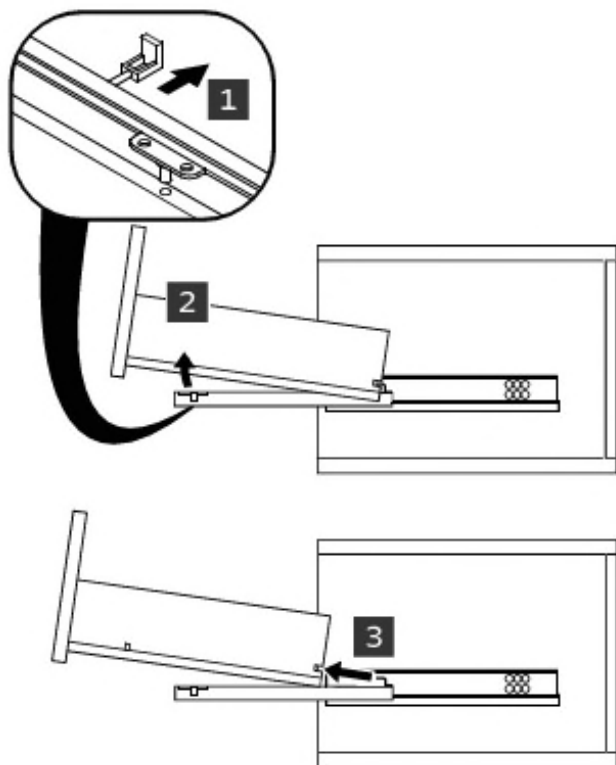
6

Put a bead of silicone on the top of the cabinet (G) then place sink (H) on the top of it.

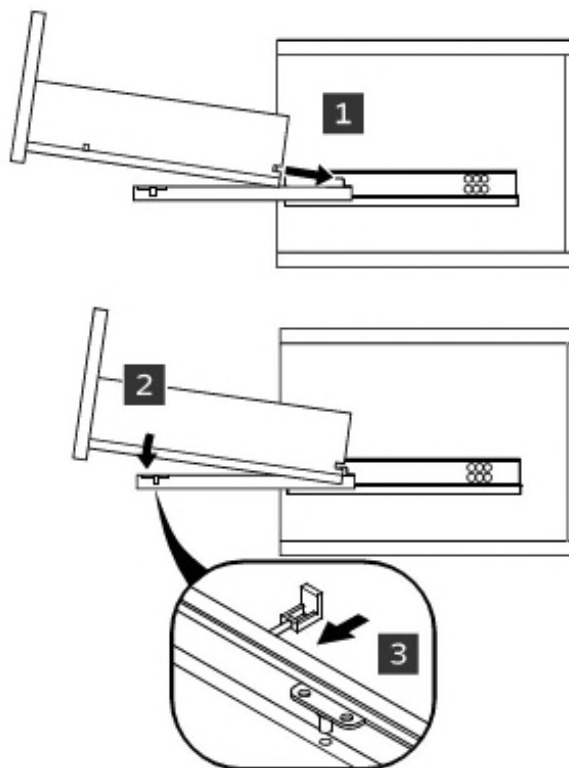


DRAWER REMOVAL & INSTALLATION

DRAWER REMOVAL



DRAWER INSTALLATION





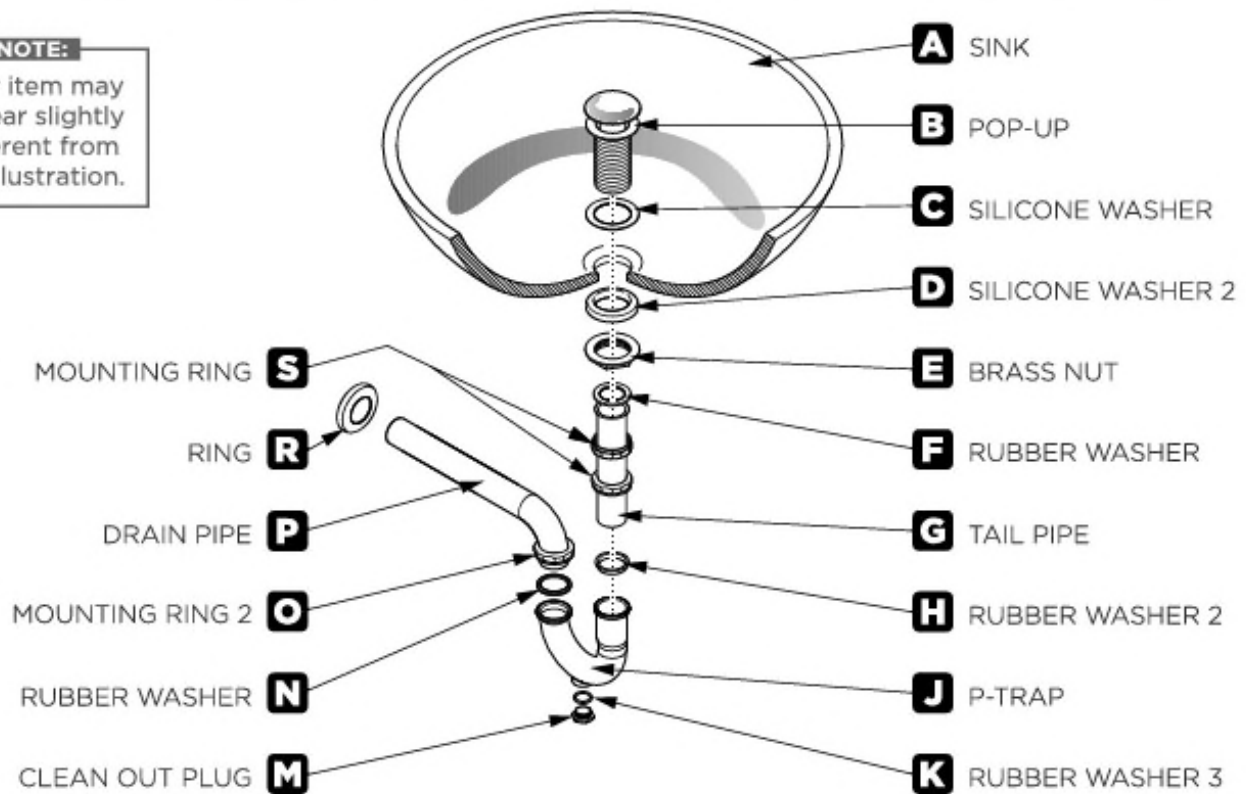
FVN6130-UNS LUCERA INSTALLATION GUIDE



P-TRAP AND POP-UP INSTALLATION INSTRUCTIONS

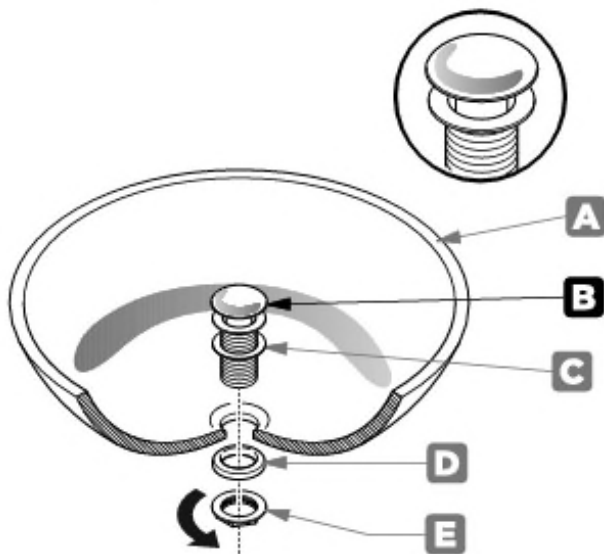
NOTE:

Your item may appear slightly different from the illustration.



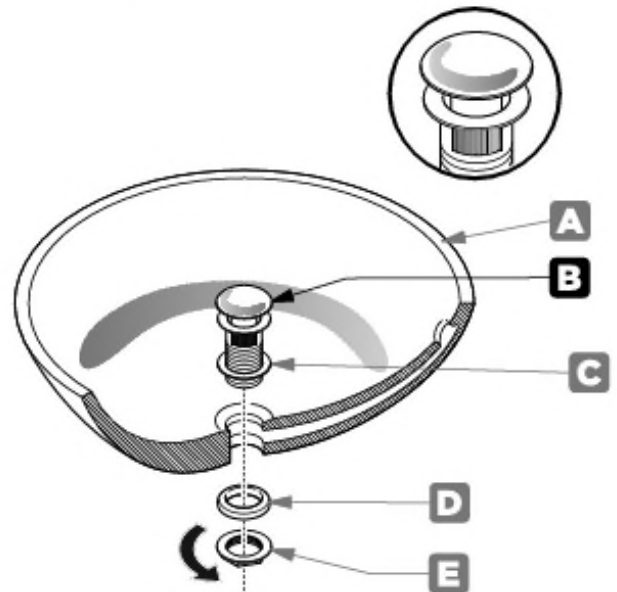
POP-UP INSTALLATION INSTRUCTIONS

**FOR SINKS
WITHOUT OVERFLOW**



OR

**FOR SINKS
WITH OVERFLOW**

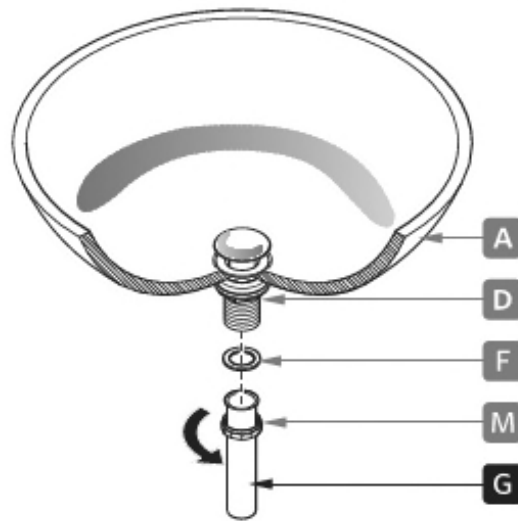




P-TRAP INSTALLATION

1

Install a tail pipe (G).



2

Connect a P-trap (J).

