



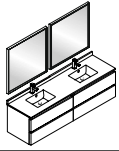
FORMOSA

INSTALLATION GUIDE

FVN31-3636ACA

CONTENTS:

Mirror	FMR3132ACA	PAGE 2
Cabinet	FCB3136ACA	PAGE 3
Sink	FCT2073WH-D-CMB	PAGE 3

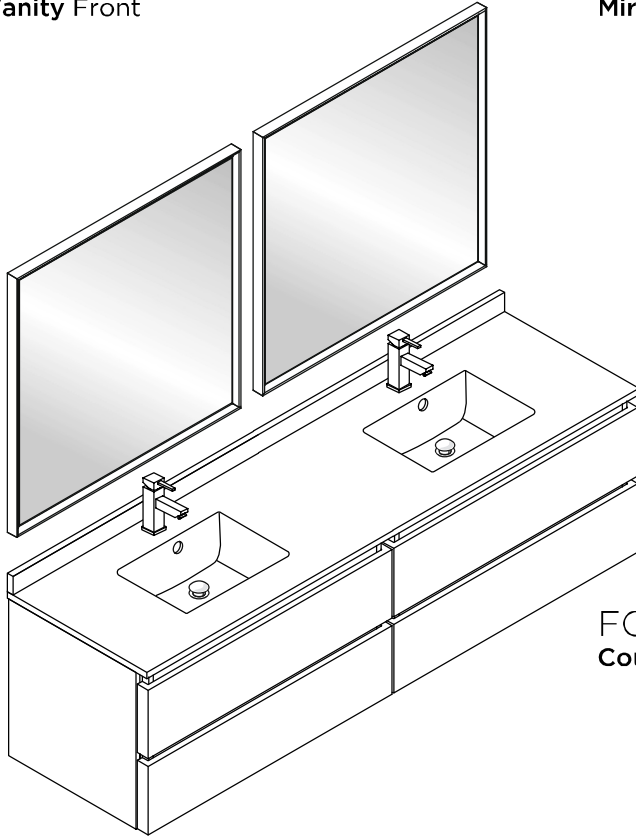


FVN31-3636ACA
FORMOSA
INSTALLATION GUIDE

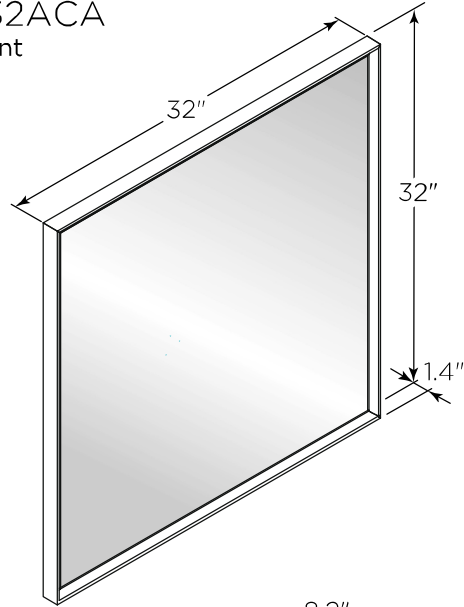
kitchensource.com
 1.800.667.8721



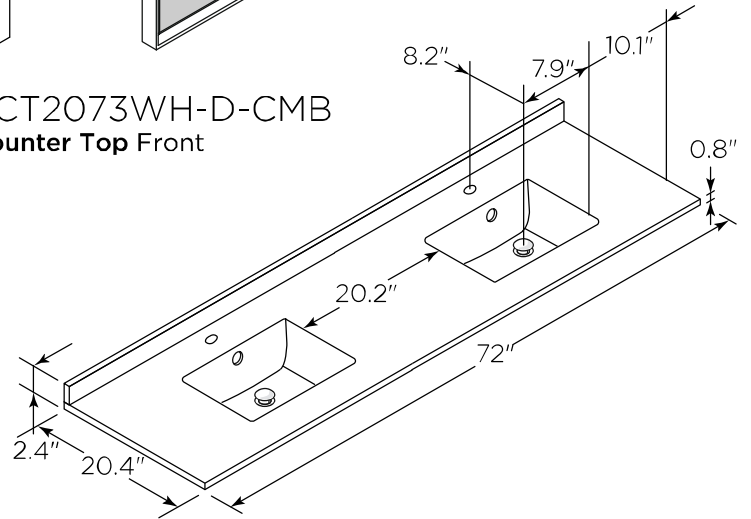
FVN31-3636ACA
Vanity Front



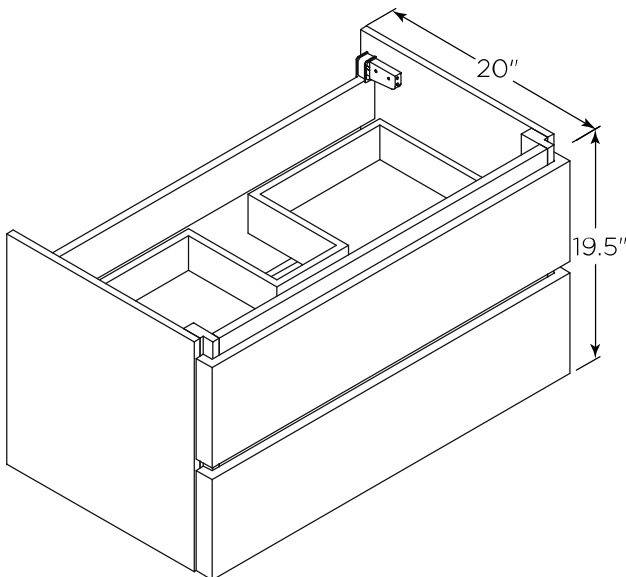
FMR3132ACA
Mirror Front



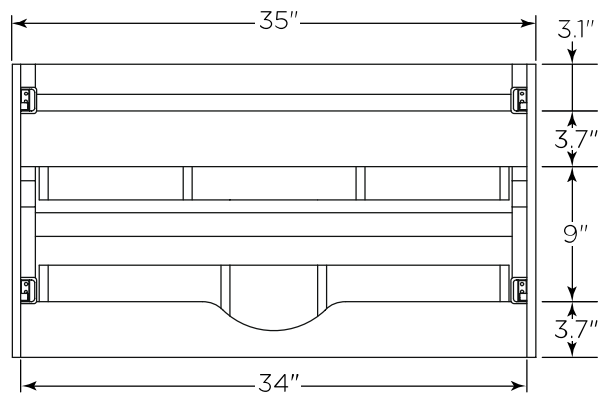
FCT2073WH-D-CMB
Counter Top Front



FCB3136ACA (X2)
Cabinet Front

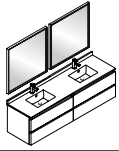


FCB3136ACA
Cabinet Back



NOTE: All dimensions & specifications are approximate and subject to change without notice.



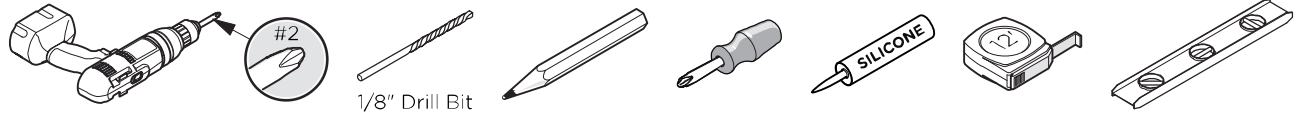


FVN31-3636ACA FORMOSA INSTALLATION GUIDE

kitchensource.com
1.800.667.8721

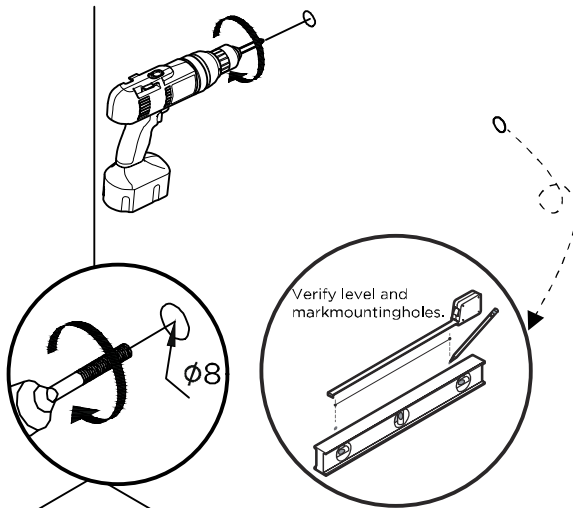


TOOLS FOR ASSEMBLY

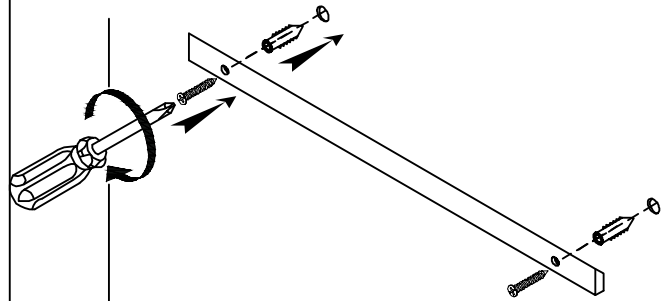


MIRROR INSTALLATION

- 1** Measure distance between the holes and mark it on the wall using a level.

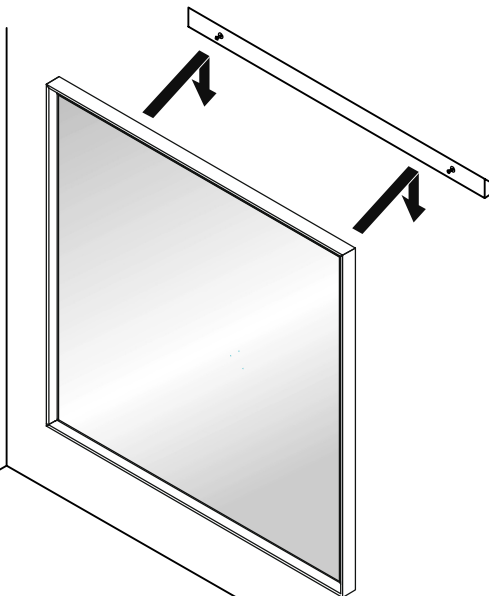


- 2** Press the anchors into the holes.



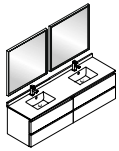
IMPORTANT: Consult an expert for the proper screws/bolts to use when attaching to various constructions. Screws provided do not attach to all wall construction types. Anchors are not required if brackets are installed in stud.

- 3** Hang mirror on the screws.



FVN31-3636ACA | FORMOSA | INSTALLATION GUIDE

PAGE 2



FVN31-3636ACA FORMOSA INSTALLATION GUIDE

kitchensource.com
1.800.667.8721

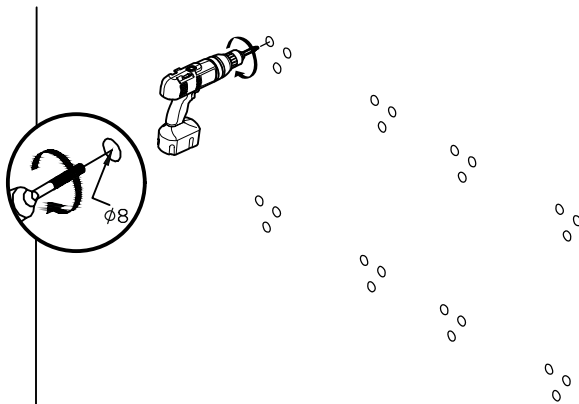


CABINET AND SINK INSTALLATION

1

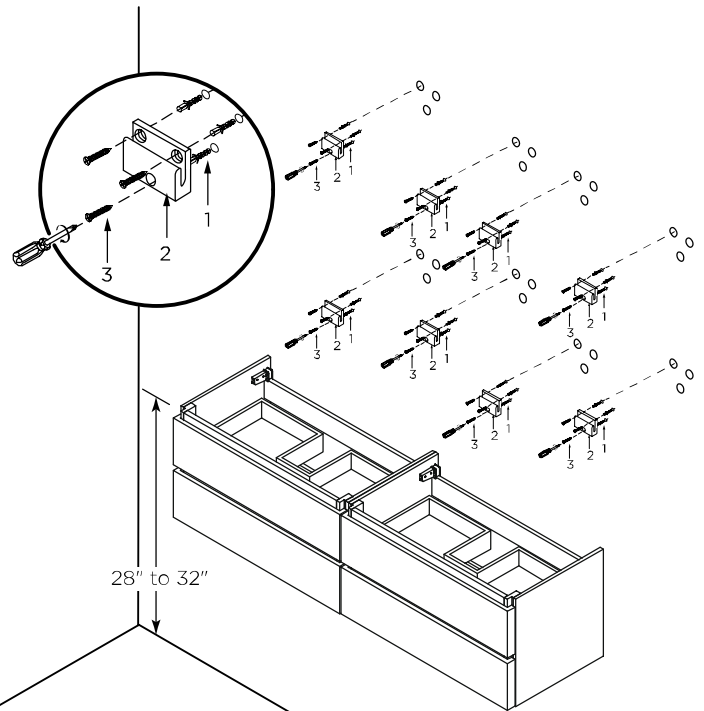
Mark anchor mounting hole locations on wall as shown. Drill holes in the finished wall as required.

IMPORTANT: Consult an expert for the proper screws/bolts to use when attaching to various constructions. Screws provided do not attach to all wall construction types. Anchors are not required if brackets are installed in stud.



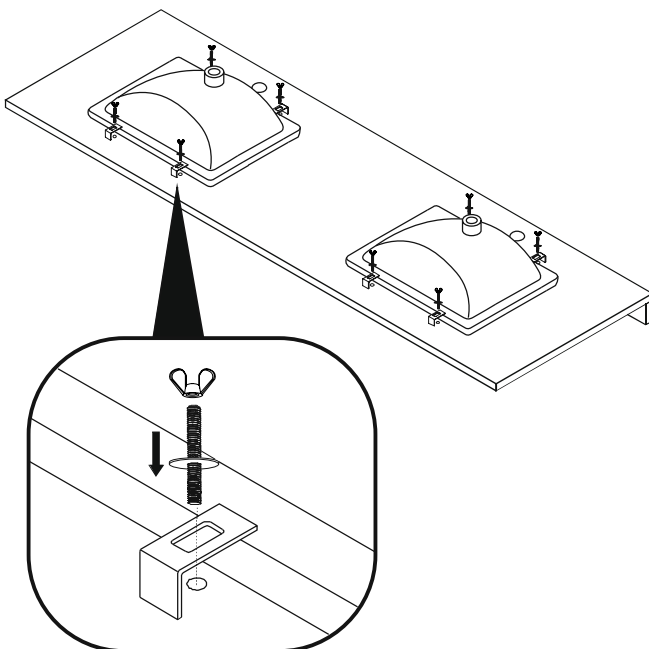
2

Attach cabinet to the wall with the screws. Insert the anchor (1) into the holes and secure the wall bracket (2) with the screws (3).



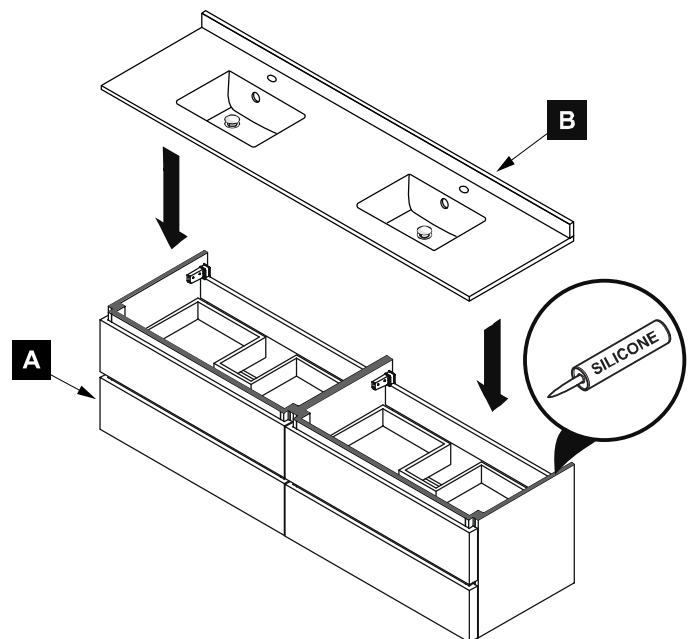
3

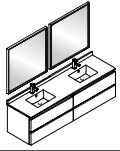
Install sink.



4

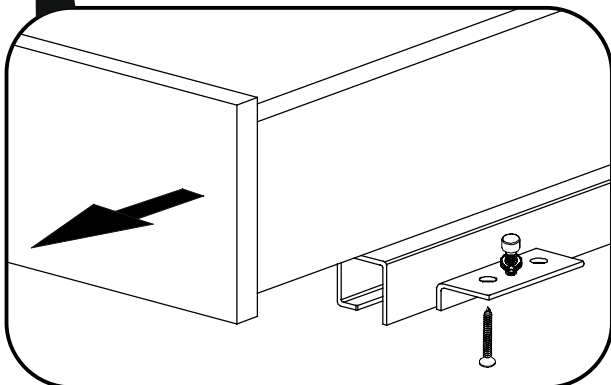
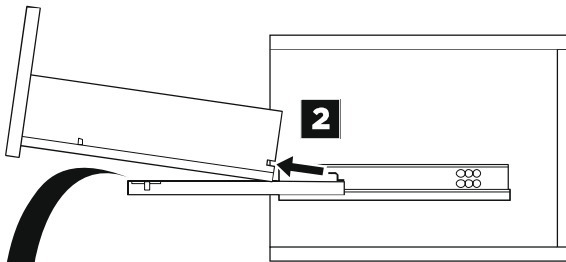
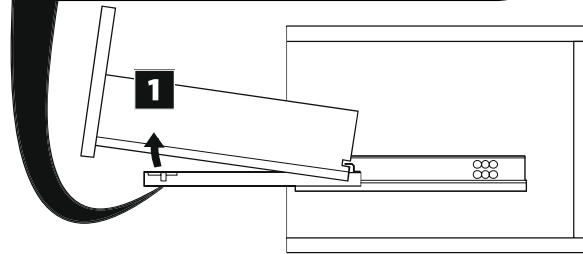
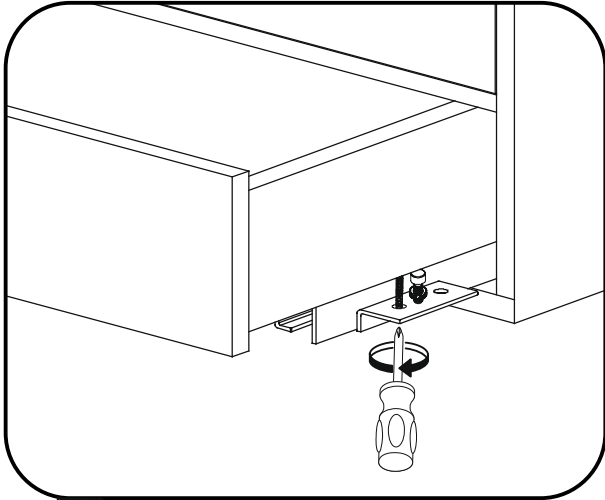
Apply a bead of silicone on the top of the cabinet (A) and place sink (B) on the cabinet.



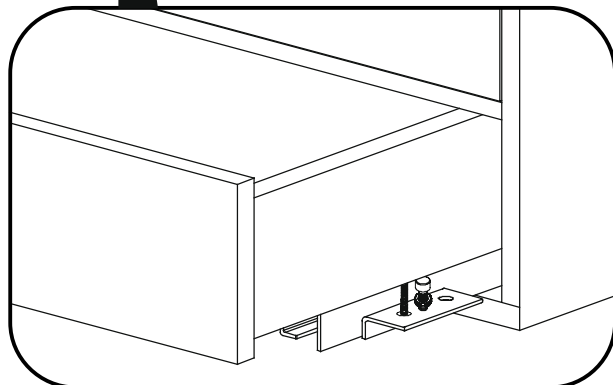
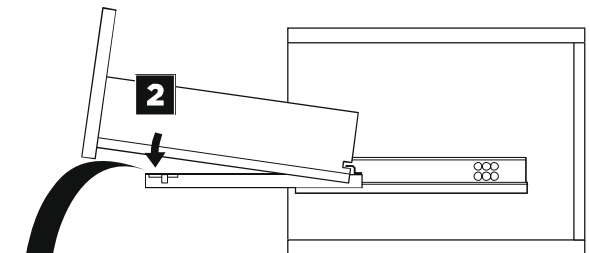
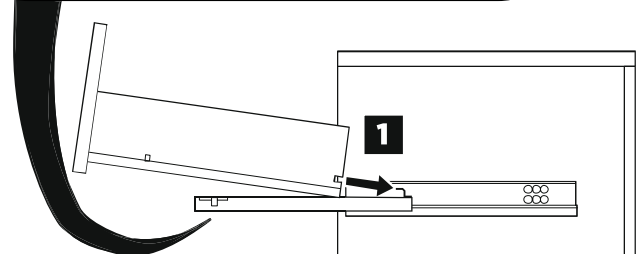
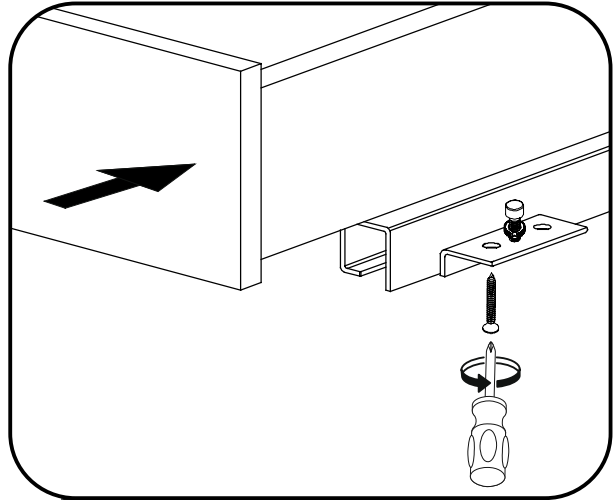


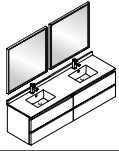
DRAWER REMOVAL & INSTALLATION

REMOVAL



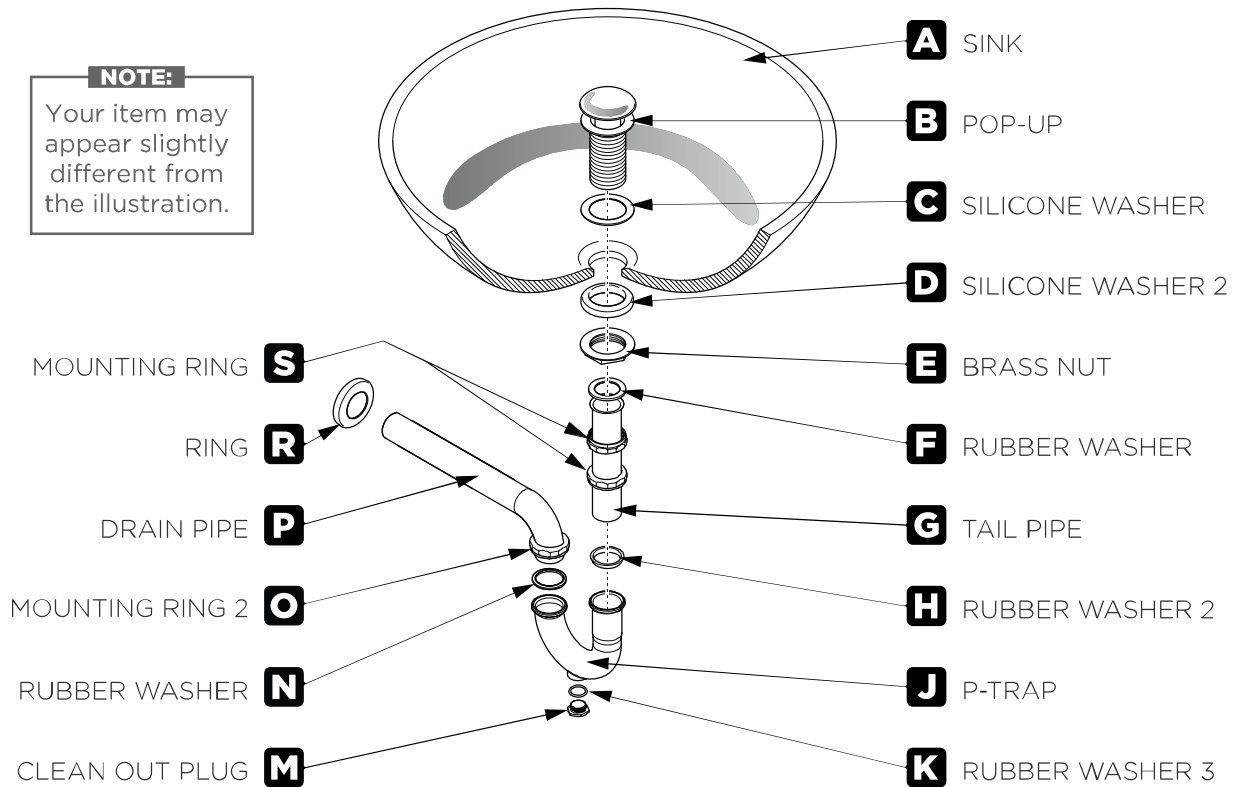
INSTALLATION





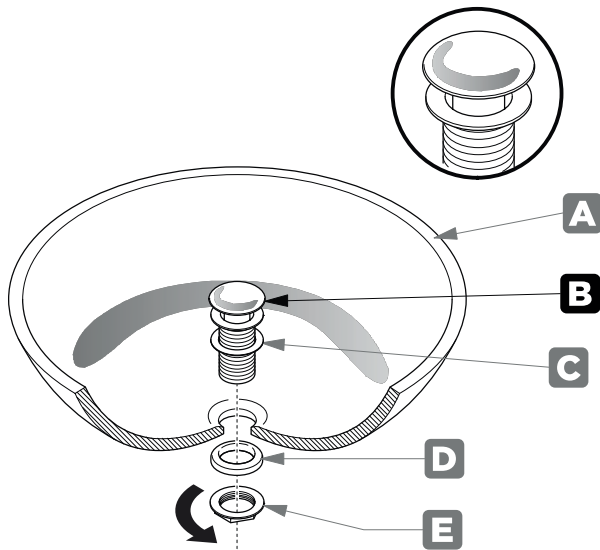
P-TRAP AND POP-UP INSTALLATION INSTRUCTIONS

NOTE:
 Your item may appear slightly different from the illustration.



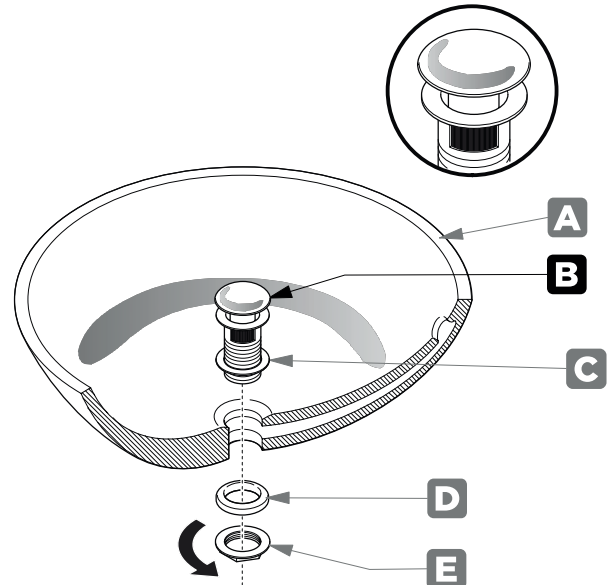
POP-UP INSTALLATION INSTRUCTIONS

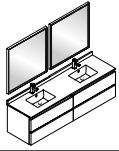
FOR SINKS WITHOUT OVERFLOW



OR

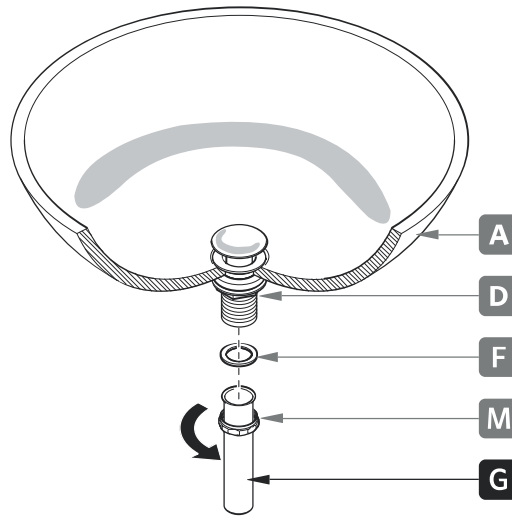
FOR SINKS WITH OVERFLOW





P-TRAP INSTALLATION

1 Install tail pipe (G)



2 Install p-trap (J)

