



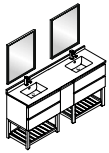
FORMOSA

INSTALLATION GUIDE

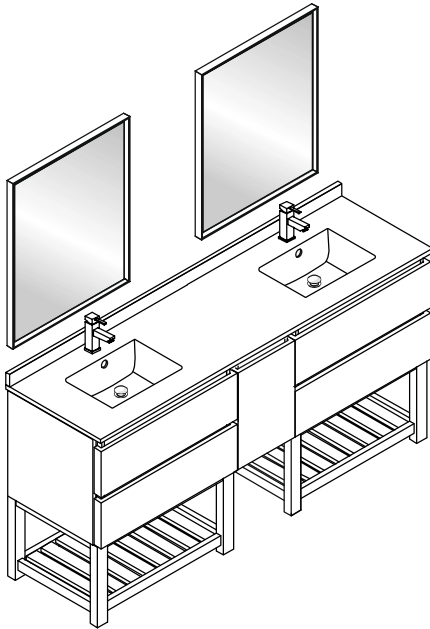
FVN31-301230ACA-FS

CONTENTS:

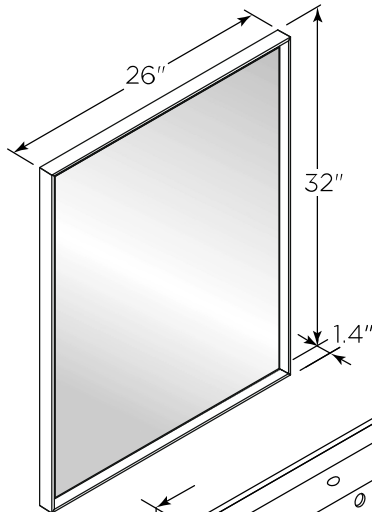
Mirror	FMR3126ACA	PAGE 2
Cabinet	FCB3130ACA	PAGE 3
Sink	FCT2072WH-D-CMB	PAGE 3



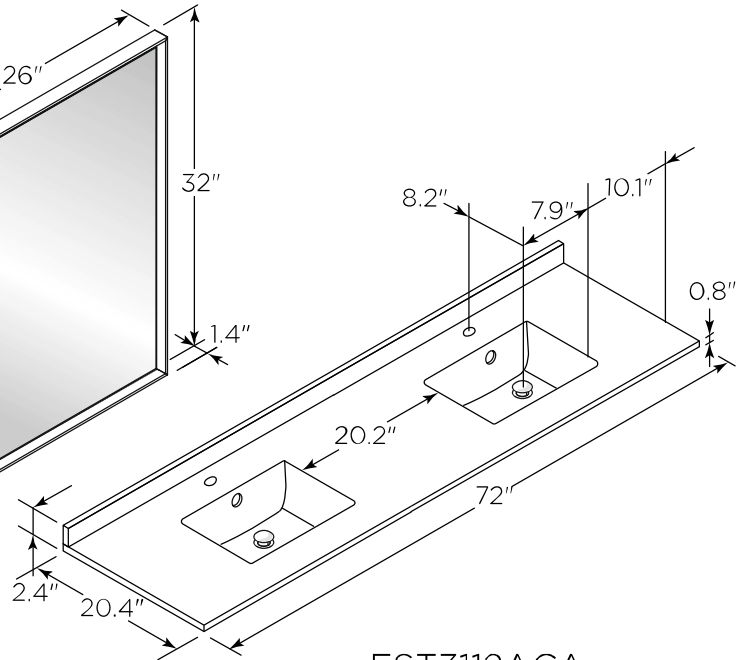
FVN31-301230ACA-FS
Vanity Front



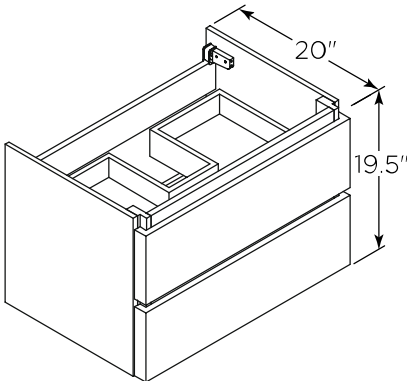
FMR3126ACA (X2)
Mirror Front



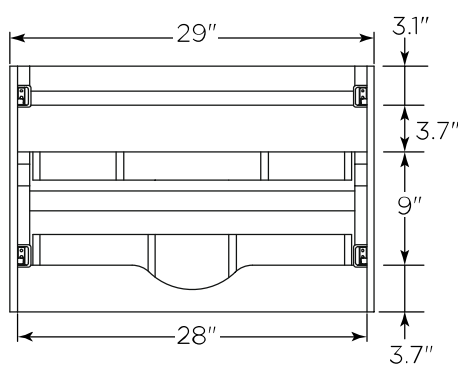
FCT2072WH-D-CMB
Counter Top Front



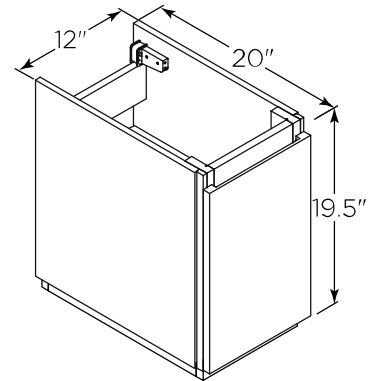
FCB3130ACA (X2)
Cabinet Front



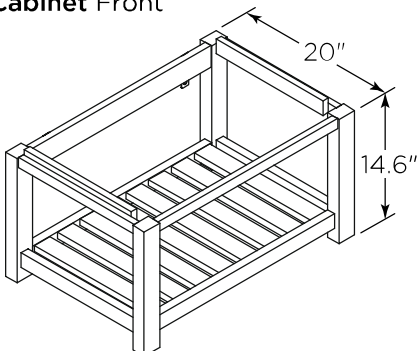
FCB3130ACA
Cabinet Back



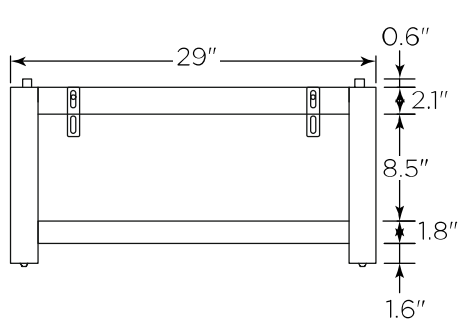
FST3112ACA
Cabinet Front



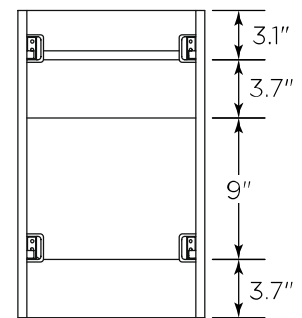
FSF3130ACA (X2)
Cabinet Front



FSF3130ACA
Cabinet Back

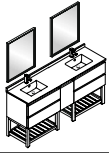


FST3112ACA
Cabinet Back

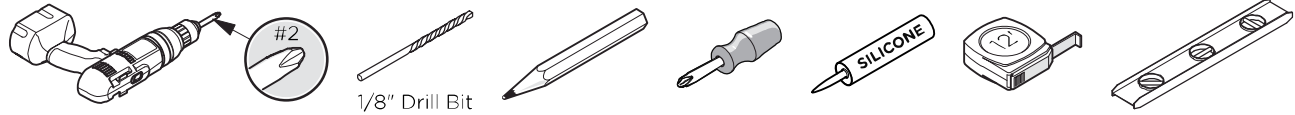


NOTE: All dimensions & specifications are approximate and subject to change without notice.



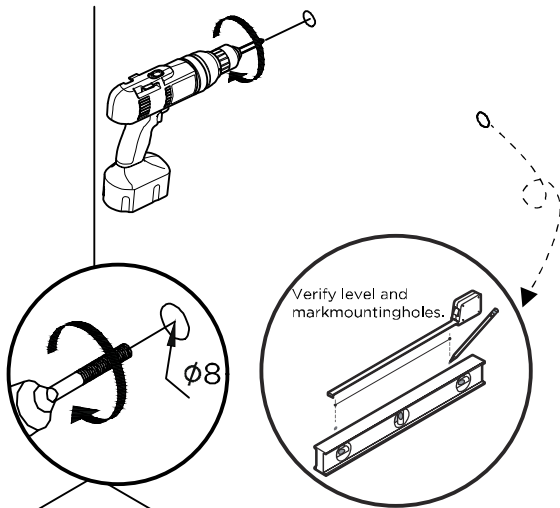


TOOLS FOR ASSEMBLY

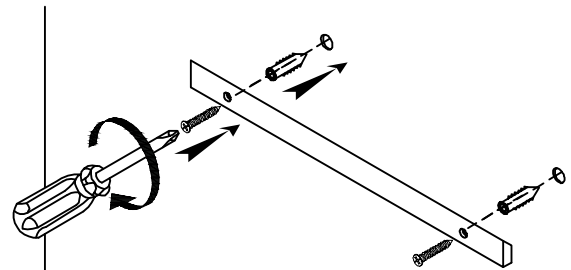


MIRROR INSTALLATION

- 1** Measure distance between the holes and mark it on the wall using a level.

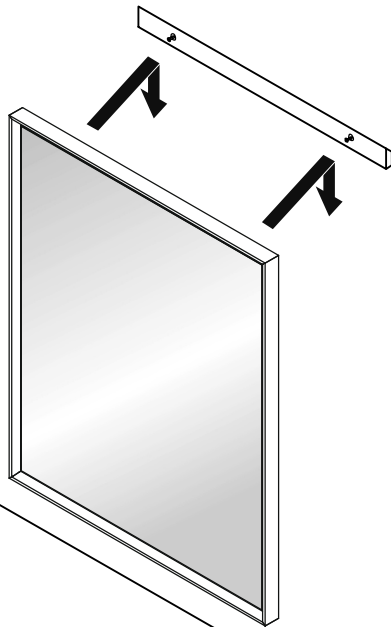


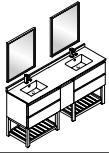
- 2** Press the anchors into the holes.



IMPORTANT: Consult an expert for the proper screws/bolts to use when attaching to various constructions. Screws provided do not attach to all wall construction types. Anchors are not required if brackets are installed in stud.

- 3** Hang mirror on the screws.

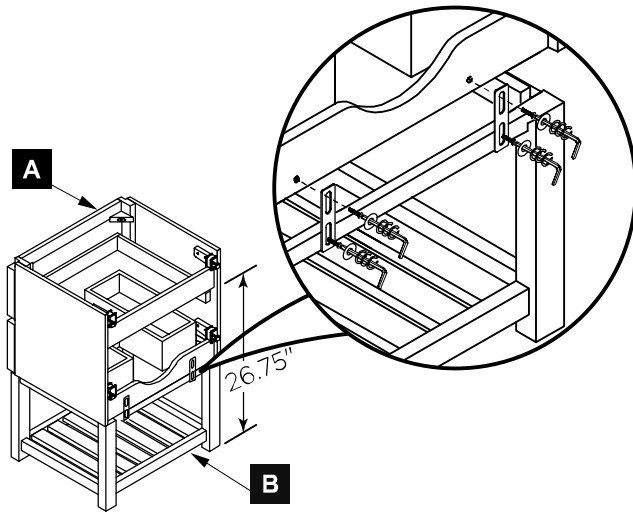




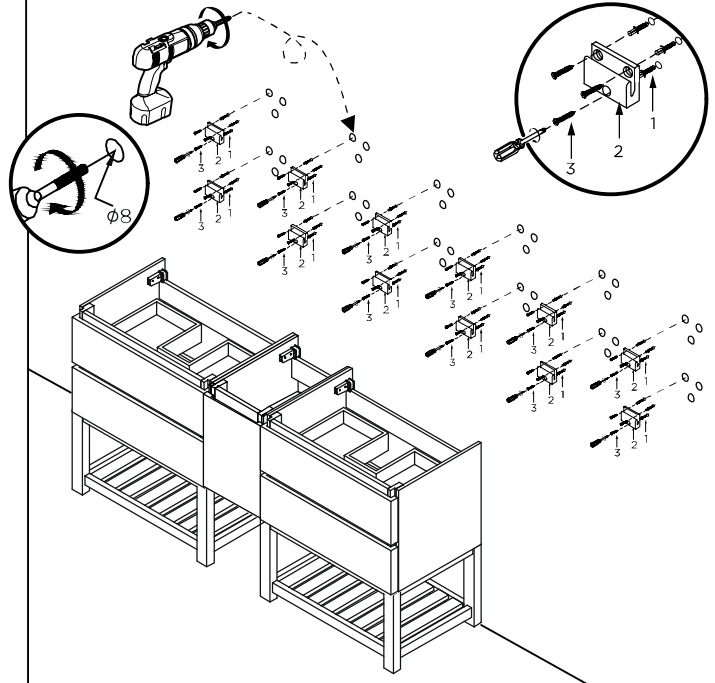
CABINET AND SINK INSTALLATION

- 1** Connect cabinet (A) to cabinet (B) with iron sheet.

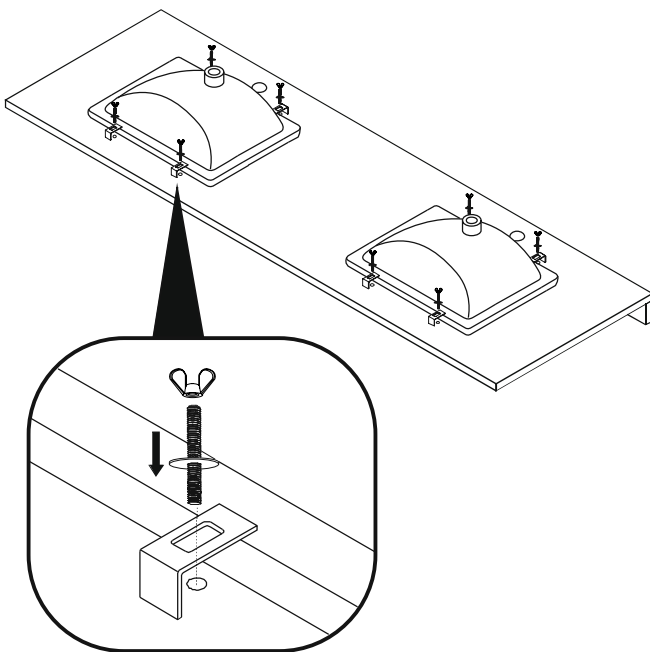
IMPORTANT: Consult an expert for the proper screws/bolts to use when attaching to various constructions, Screws provided do not attach to all wall construction types. Anchors are not required if brackets are installed in stud.



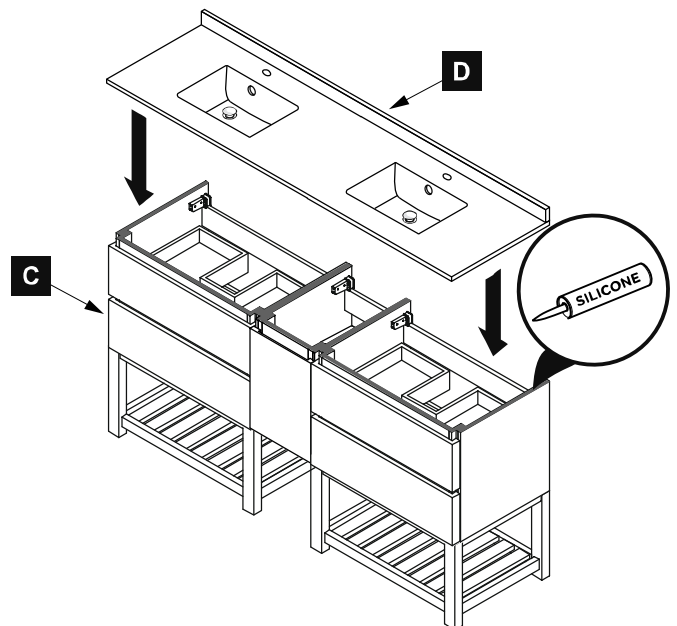
- 2** Mark anchor mounting hole locations on wall as shown. Drill holes in the finished wall as required. Then insert the anchor(1) into the holes and secure the wall bracket(2) with the screws(3).

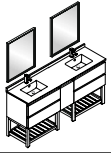


- 3** Install sink.



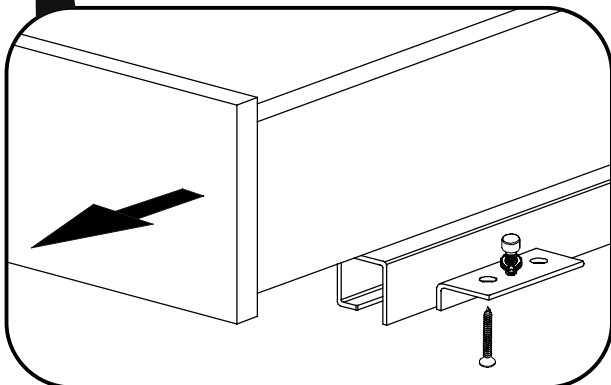
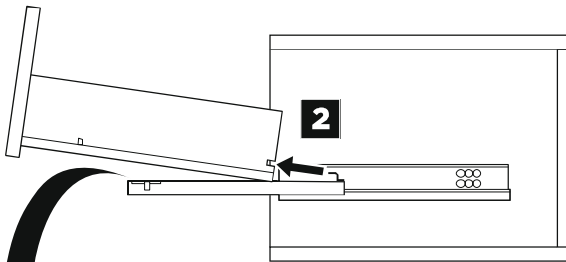
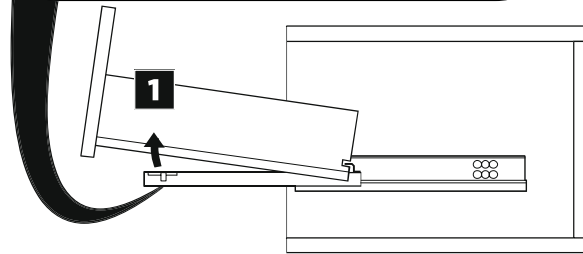
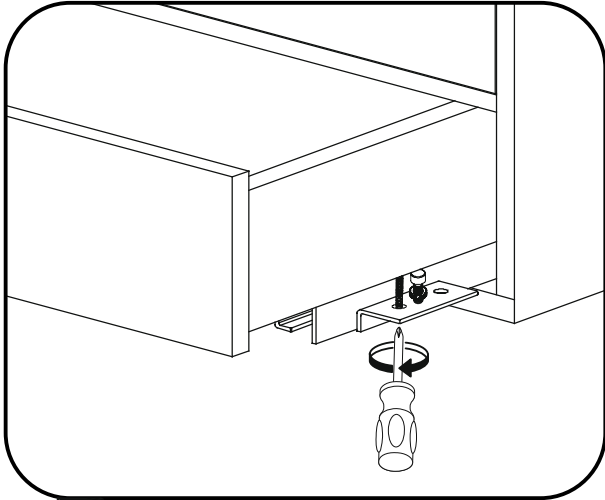
- 4** Apply a bead of silicone on the top of the cabinet (C) and place sink (D) on the cabinet.



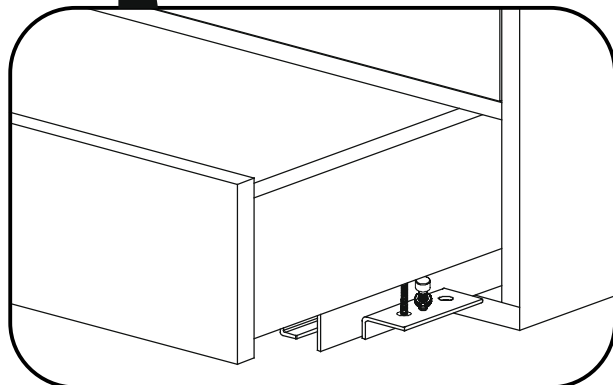
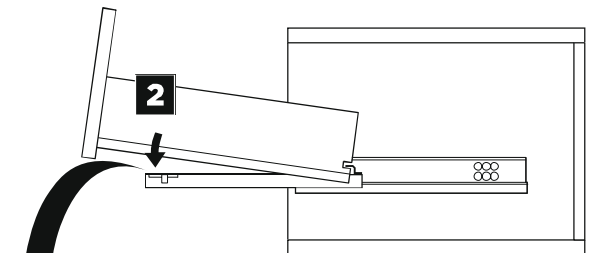
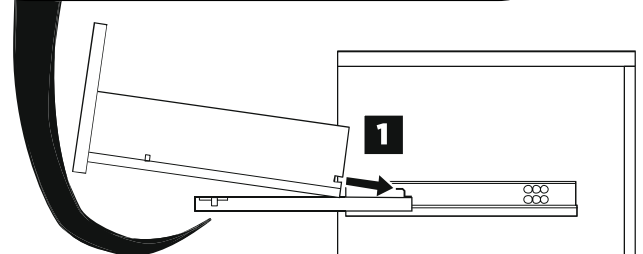
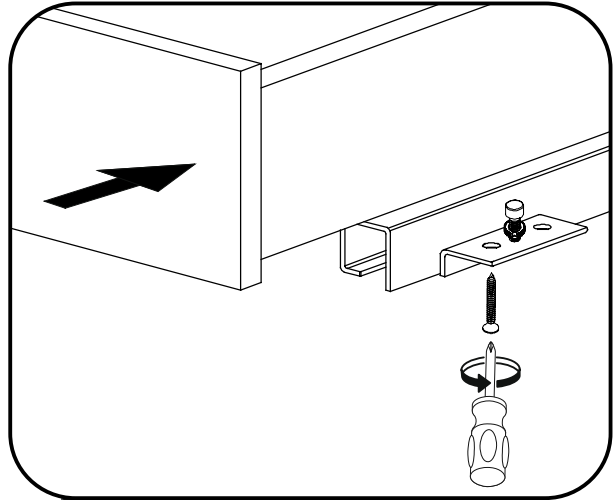


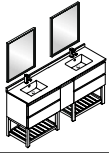
DRAWER REMOVAL & INSTALLATION

REMOVAL



INSTALLATION

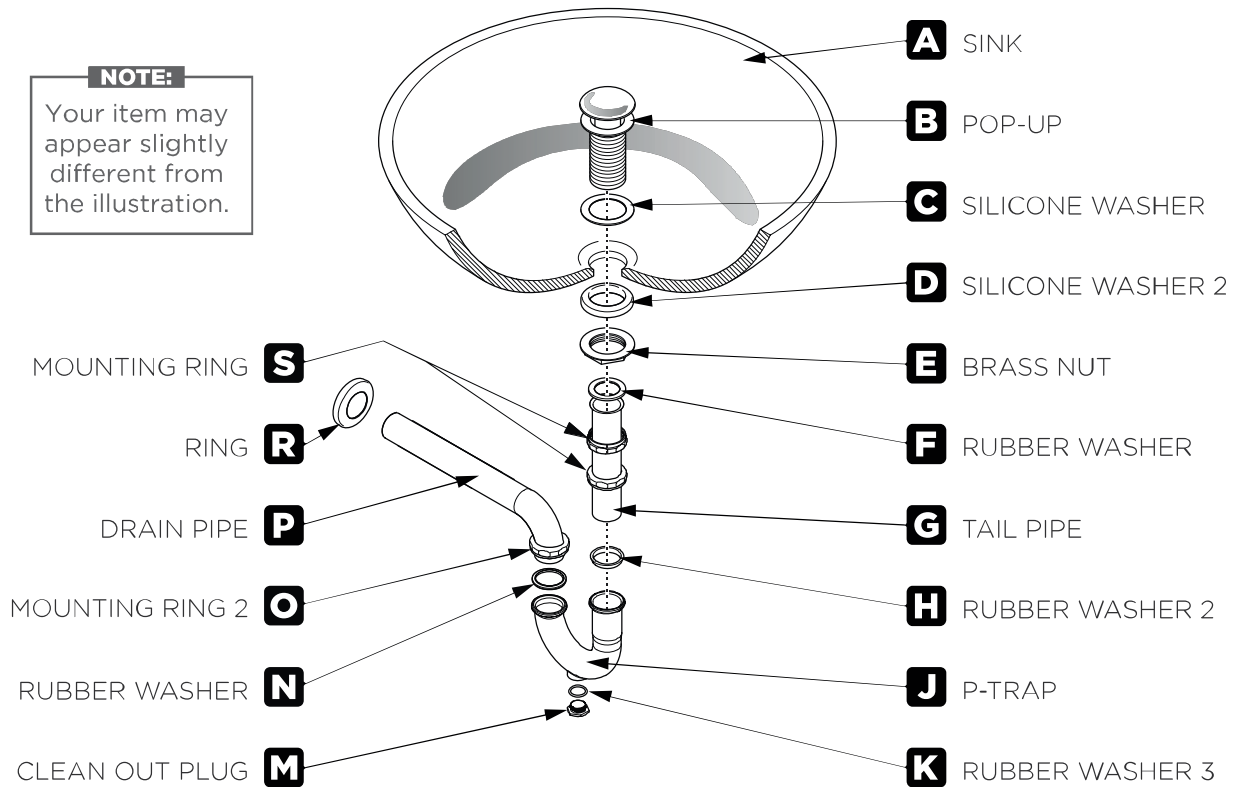




P-TRAP AND POP-UP INSTALLATION INSTRUCTIONS

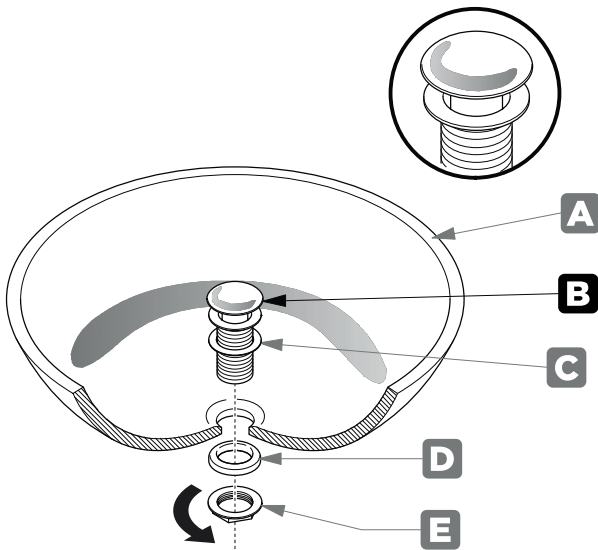
NOTE:

Your item may appear slightly different from the illustration.



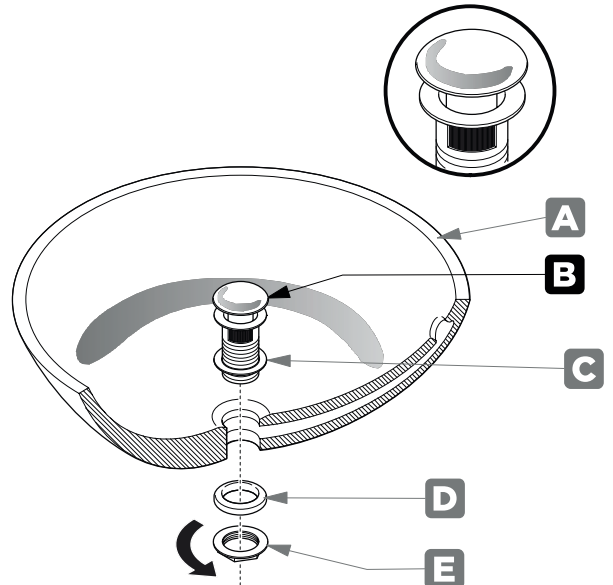
POP-UP INSTALLATION INSTRUCTIONS

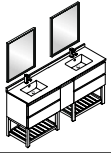
FOR SINKS WITHOUT OVERFLOW



OR

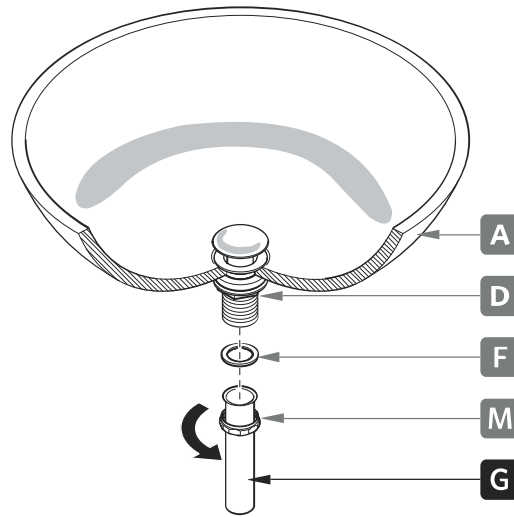
FOR SINKS WITH OVERFLOW





P-TRAP INSTALLATION

1 Install tail pipe (G)



2 Install p-trap (J)

