



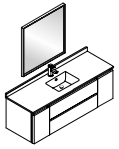
FORMOSA

INSTALLATION GUIDE

FVN31-123612ACA

CONTENTS:

Mirror	FMR3132ACA	PAGE 2
Cabinet	FCB3136ACA	PAGE 3
Sink	FCT2060WH-S-CMB	PAGE 3

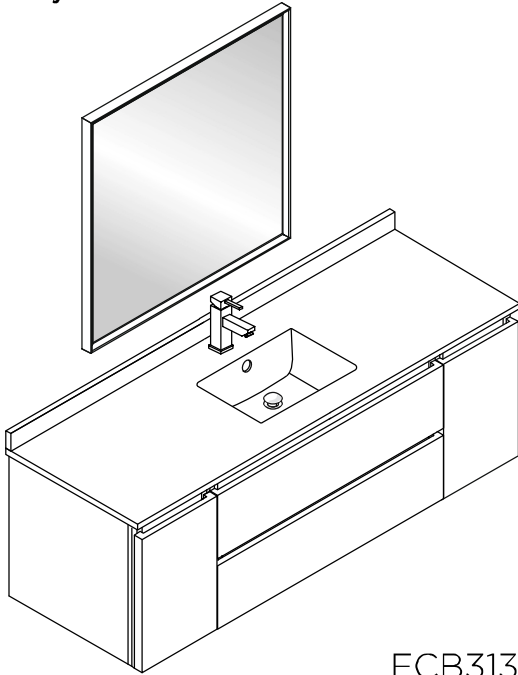


FVN31-123612ACA FORMOSA INSTALLATION GUIDE

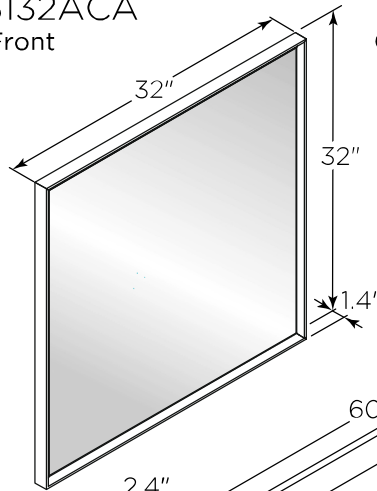
kitchensource.com
1.800.667.8721



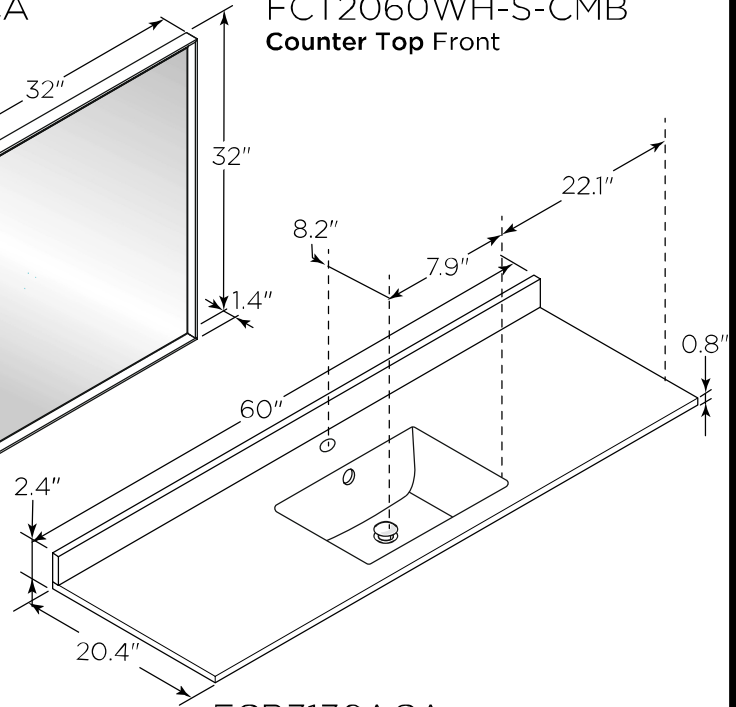
FVN31-123612ACA
Vanity Front



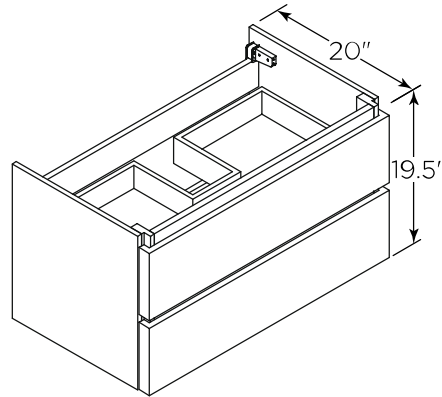
FMR3132ACA
Mirror Front



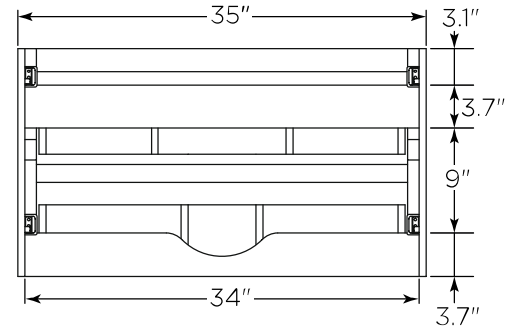
FCT2060WH-S-CMB
Counter Top Front



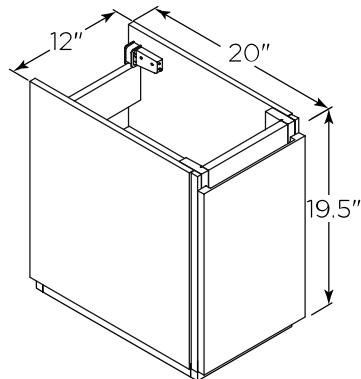
FCB3136ACA
Cabinet Front



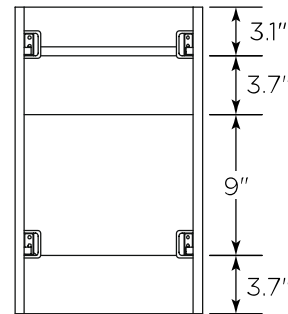
FCB3136ACA
Cabinet Back



FST3112ACA (X2)
Cabinet Front

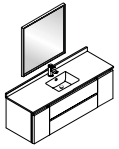


FST3112ACA
Cabinet Back

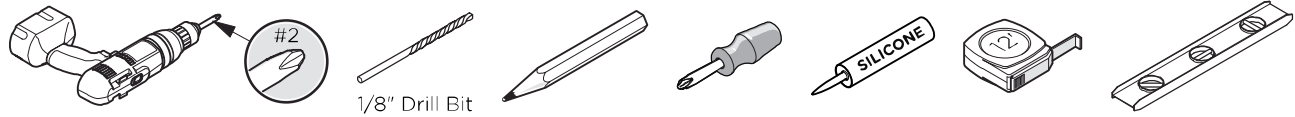


NOTE: All dimensions & specifications are approximate and subject to change without notice.



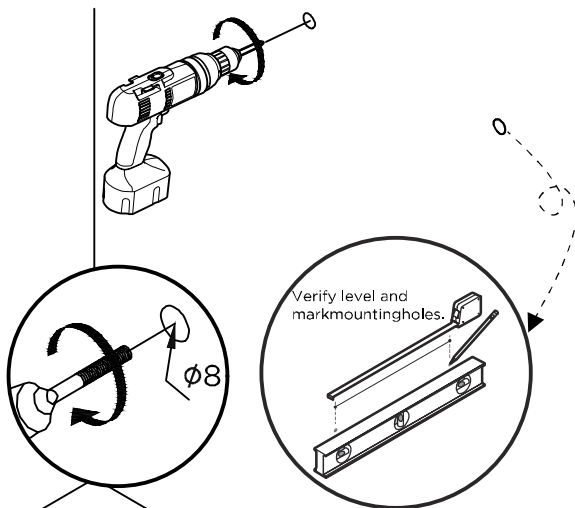


TOOLS FOR ASSEMBLY

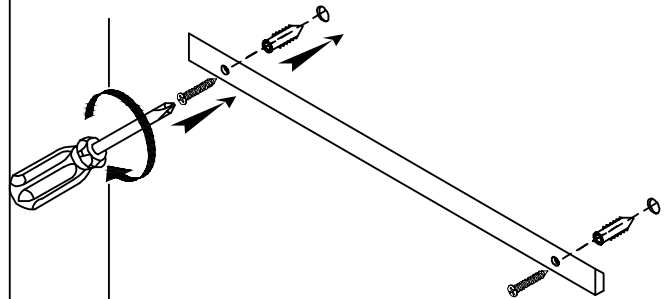


MIRROR INSTALLATION

1 Measure distance between the holes and mark it on the wall using a level.

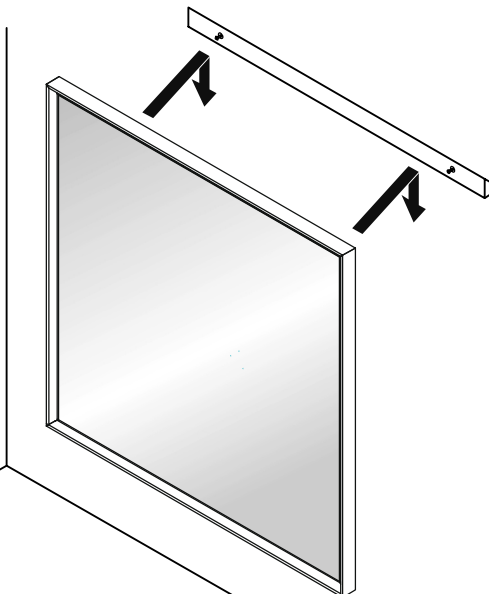


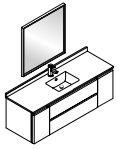
2 Press the anchors into the holes.



IMPORTANT: Consult an expert for the proper screws/bolts to use when attaching to various constructions. Screws provided do not attach to all wall construction types. Anchors are not required if brackets are installed in stud.

3 Hang mirror on the screws.

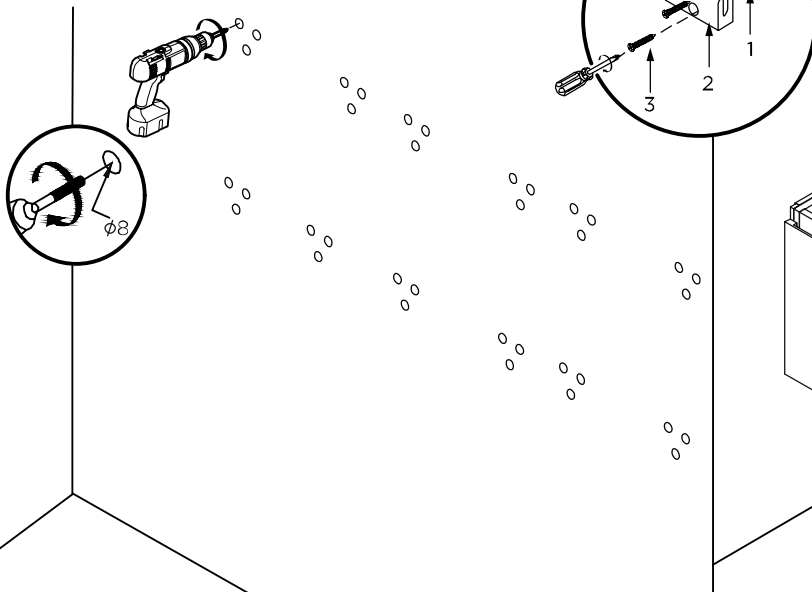




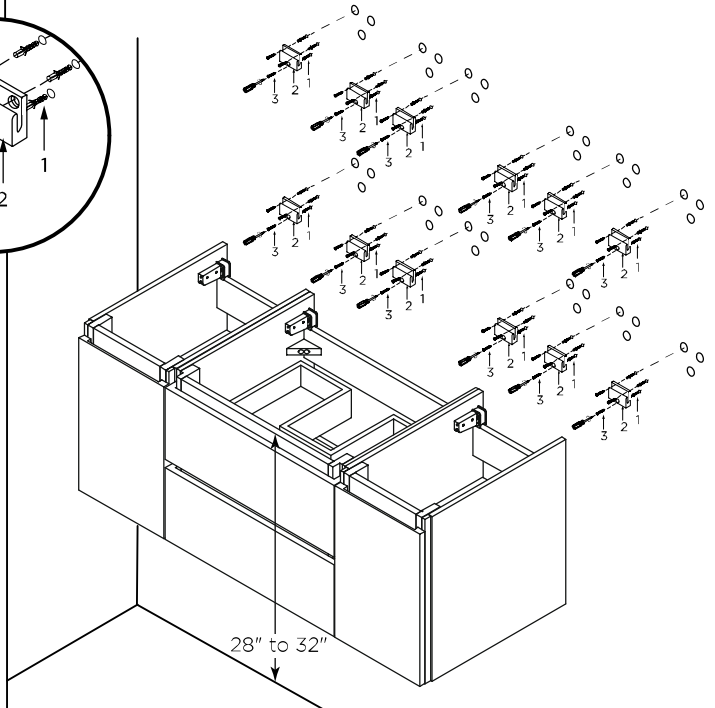
CABINET AND SINK INSTALLATION

1 Mark anchor mounting hole locations on wall as shown. Drill holes in the finished wall as required.

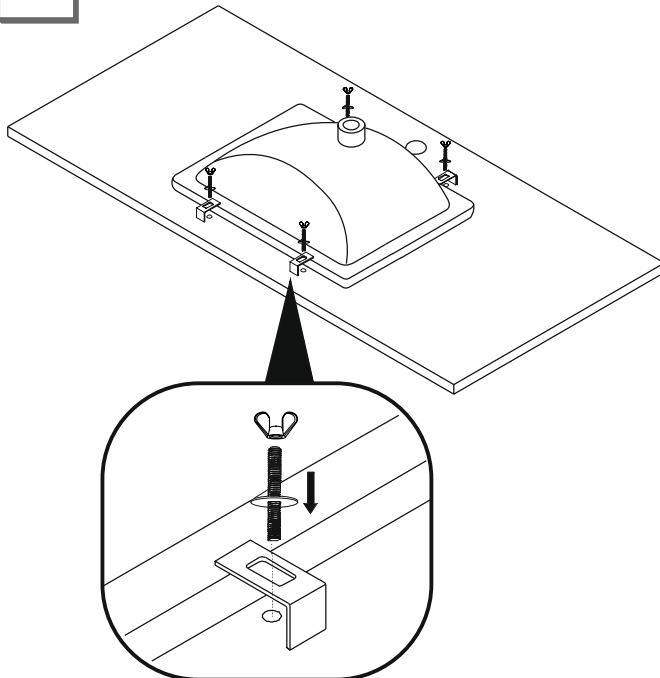
IMPORTANT: Consult an expert for the proper screws/bolts to use when attaching to various constructions, Screws provided do not attach to all wall construction types. Anchors are not required if brackets are installed in stud.



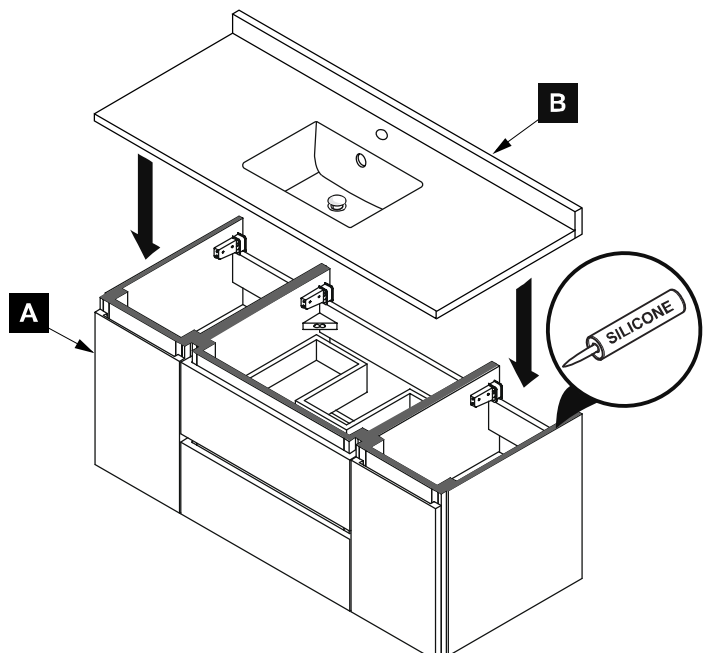
2 Attach cabinet to the wall with the screws. Insert the anchor(1) into the holes and secure the wall bracket(2) with the screws(3).

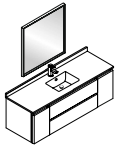


3 Install sink.



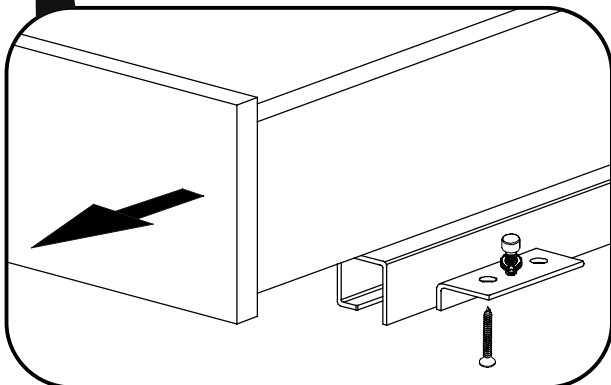
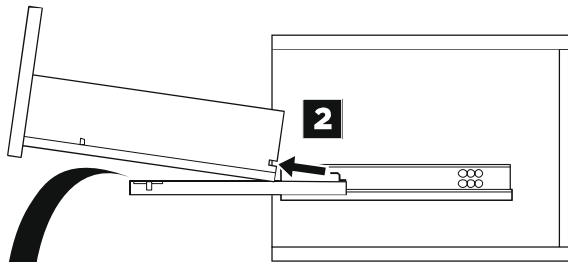
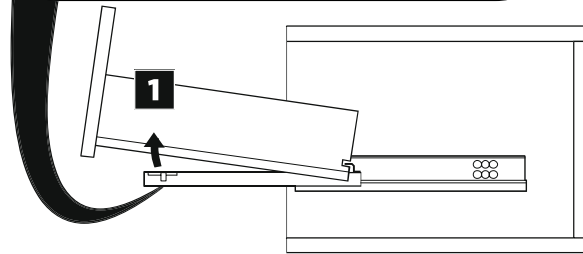
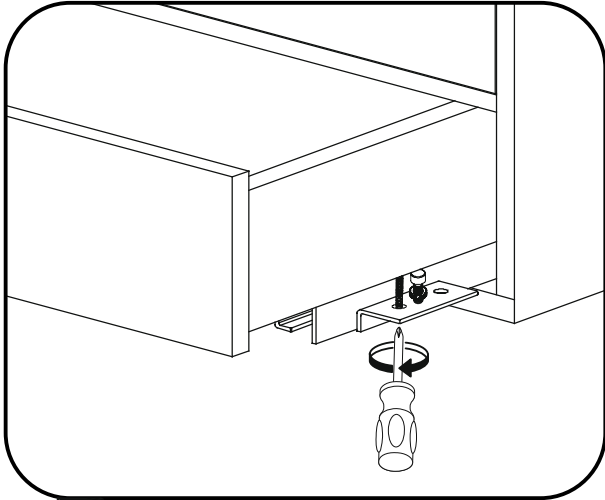
4 Apply a bead of silicone on the top of the cabinet (A) and place sink (B) on the cabinet.



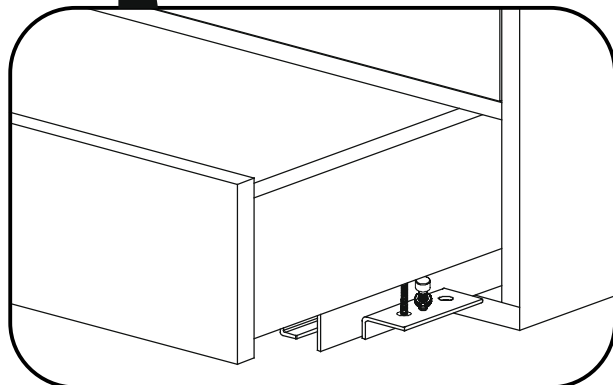
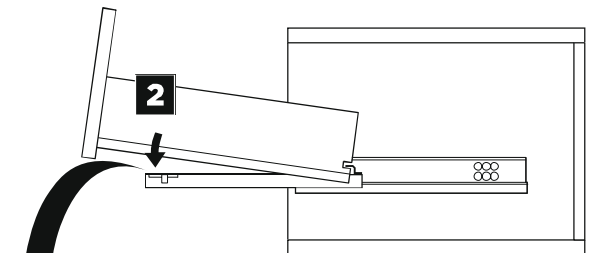
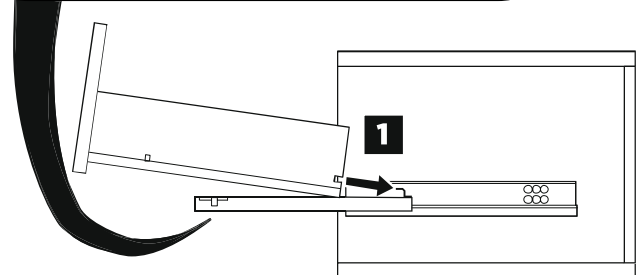
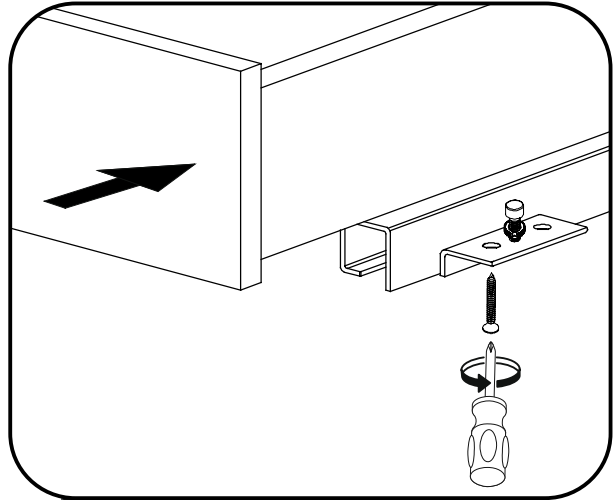


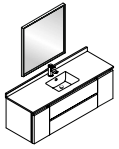
DRAWER REMOVAL & INSTALLATION

REMOVAL



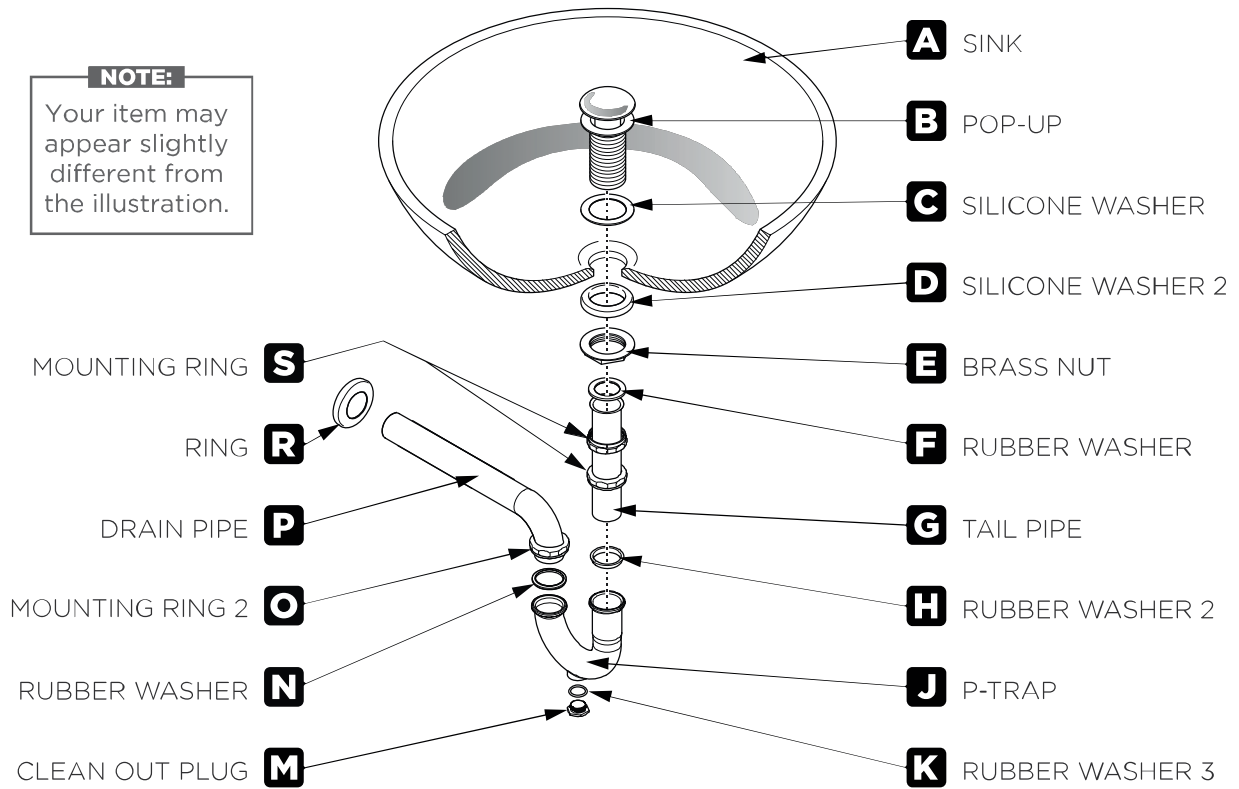
INSTALLATION





P-TRAP AND POP-UP INSTALLATION INSTRUCTIONS

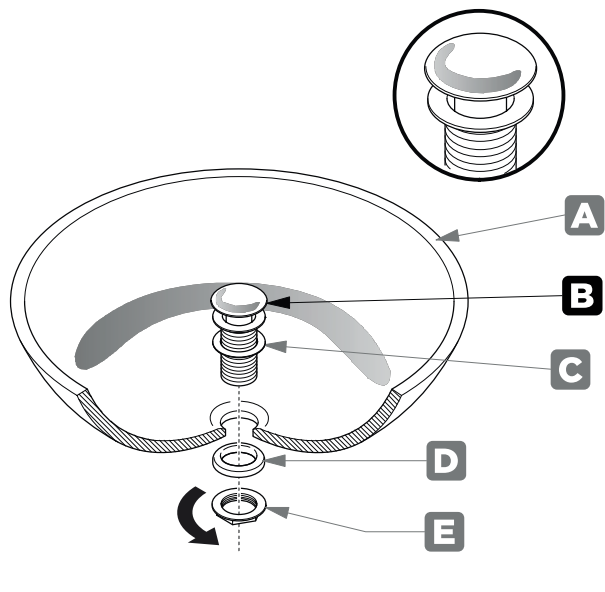
NOTE:
 Your item may appear slightly different from the illustration.



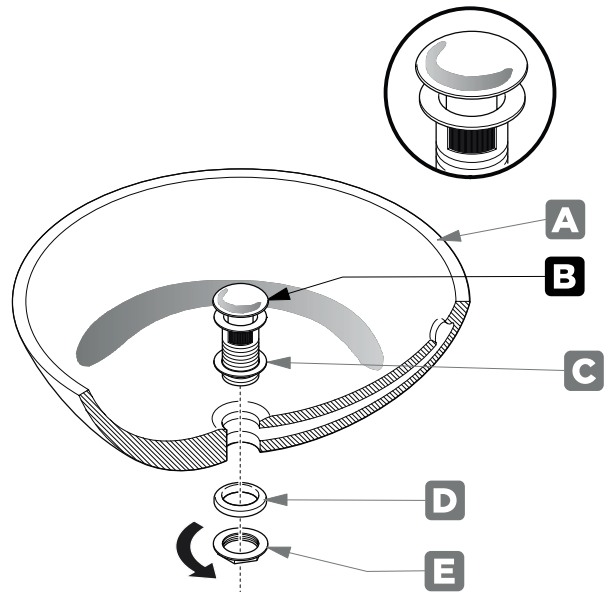
POP-UP INSTALLATION INSTRUCTIONS

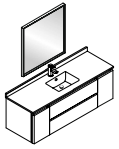
FOR SINKS WITHOUT OVERFLOW

FOR SINKS WITH OVERFLOW



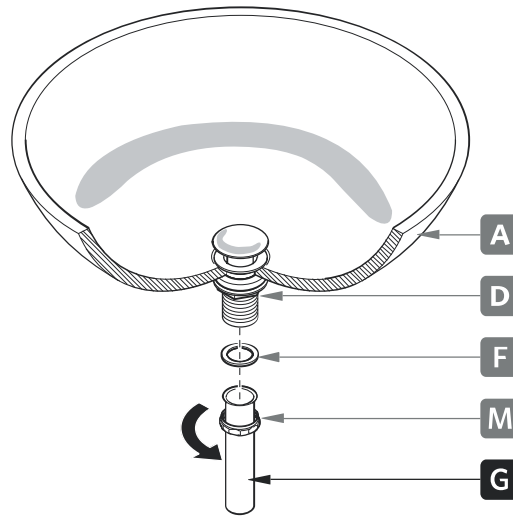
OR





P-TRAP INSTALLATION

1 Install tail pipe (G)



2 Install p-trap (J)

