



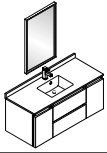
# FORMOSA

## **INSTALLATION GUIDE**

FVN31-122412ACA

## CONTENTS:

Mirror .....	FMR3120ACA .....	PAGE 2
Cabinet .....	FCB3124ACA .....	PAGE 3
Sink .....	FCT2048WH-S-CMB .....	PAGE 3

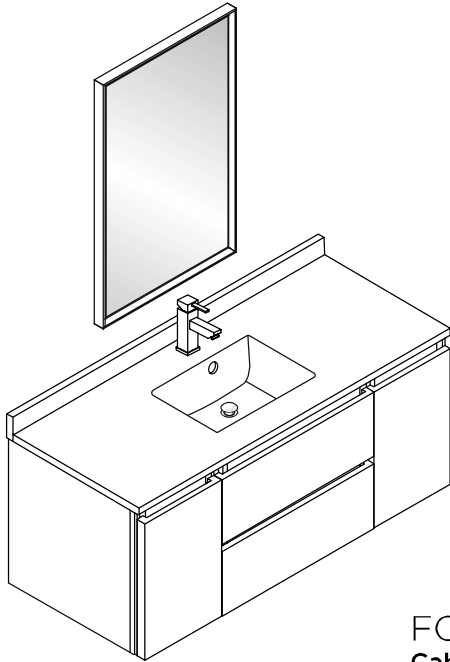


**FVN31-122412ACA**  
**FORMOSA**  
**INSTALLATION GUIDE**

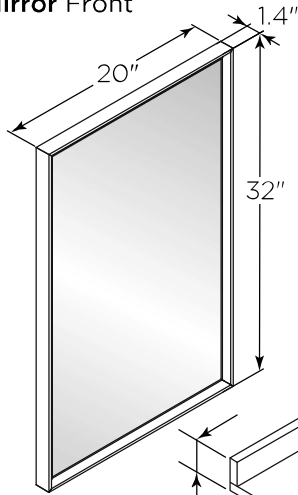
**kitchensource.com**  
 1.800.667.8721



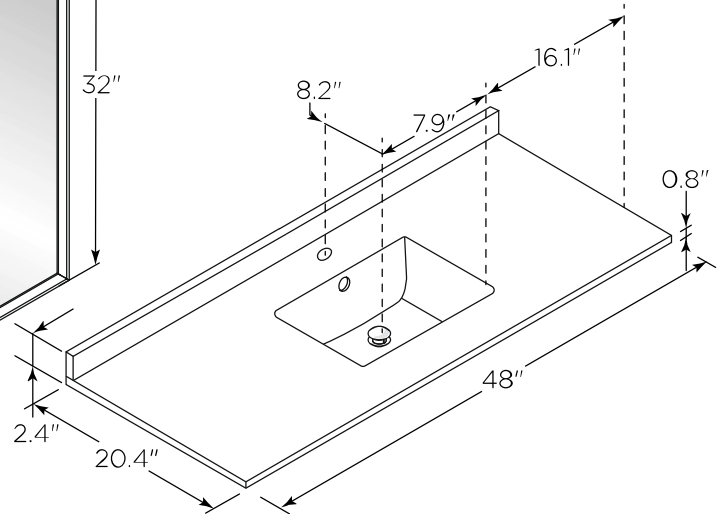
**FVN31-122412ACA**  
**Vanity Front**



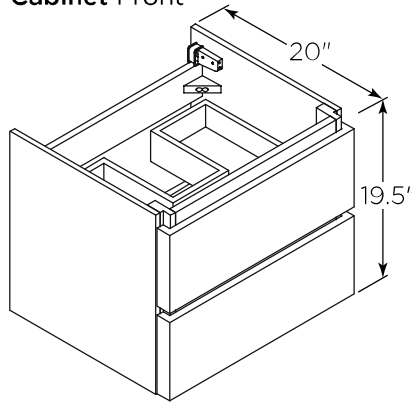
**FMR3120ACA**  
**Mirror Front**



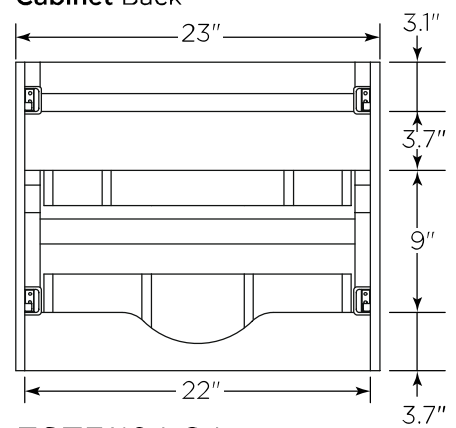
**FCT2048WH-S-CMB**  
**Counter Top Front**



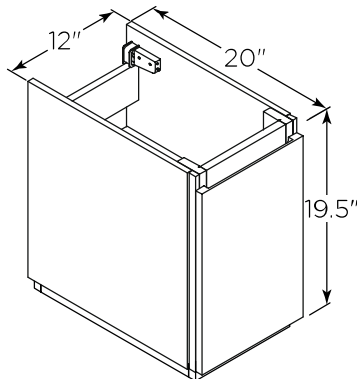
**FCB3124ACA**  
**Cabinet Front**



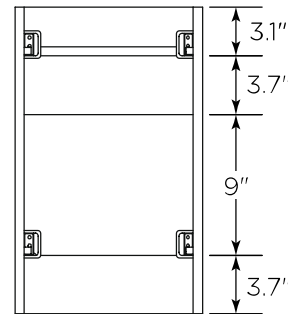
**FCB3124ACA**  
**Cabinet Back**



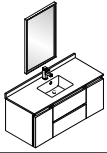
**FST3112ACA (X2)**  
**Cabinet Front**



**FST3112ACA**  
**Cabinet Back**



**NOTE:** All dimensions & specifications are approximate and subject to change without notice.

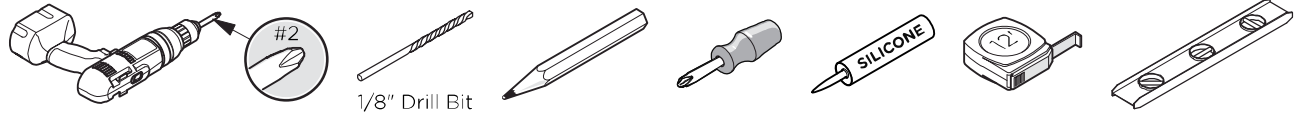


# FVN31-122412ACA FORMOSA INSTALLATION GUIDE

**kitchensource.com**  
1.800.667.8721

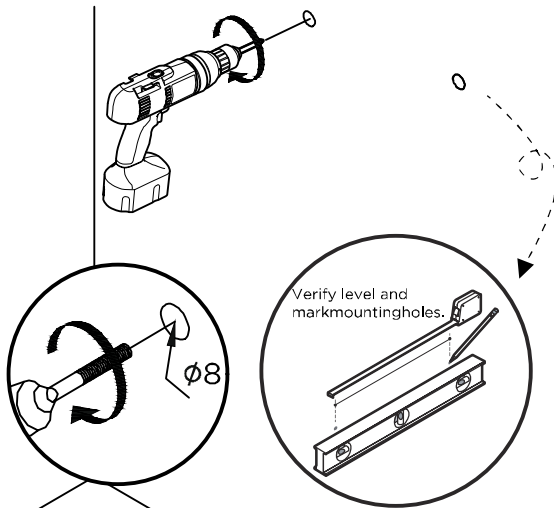


## TOOLS FOR ASSEMBLY

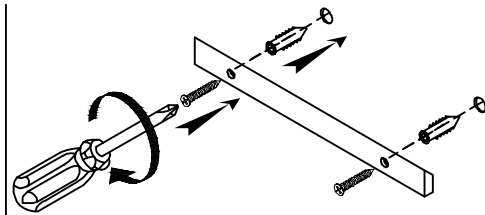


## MIRROR INSTALLATION

- 1** Measure distance between the holes and mark it on the wall using a level.

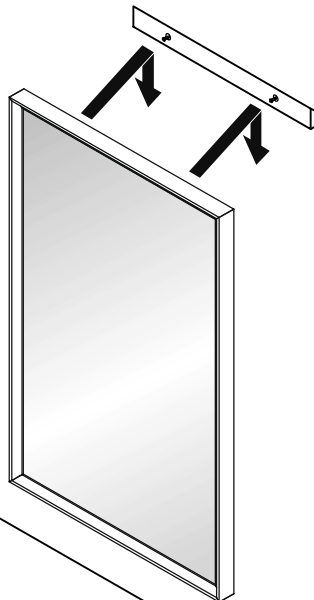


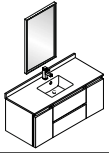
- 2** Press the anchors into the holes.



**IMPORTANT:** Consult an expert for the proper screws/bolts to use when attaching to various constructions. Screws provided do not attach to all wall construction types. Anchors are not required if brackets are installed in stud.

- 3** Hang mirror on the screws.

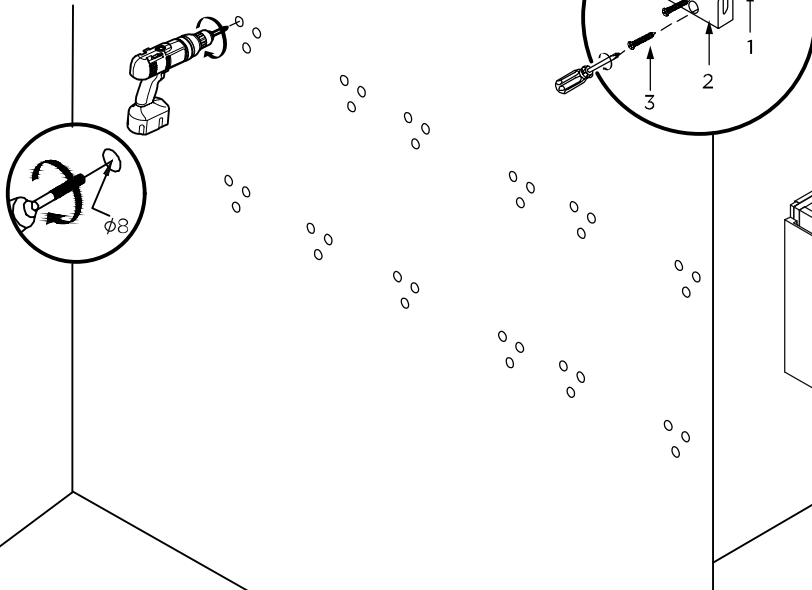




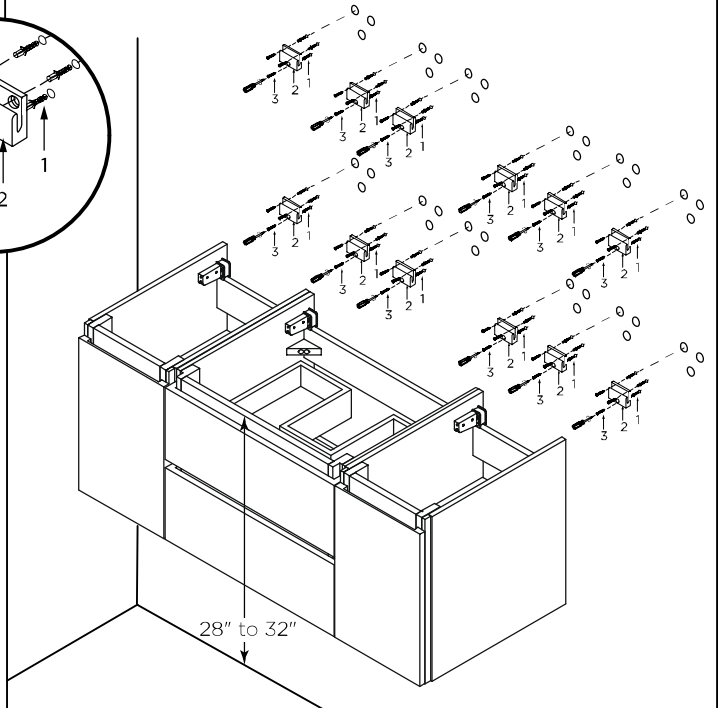
**CABINET AND SINK INSTALLATION**

**1** Mark anchor mounting hole locations on wall as shown. Drill holes in the finished wall as required.

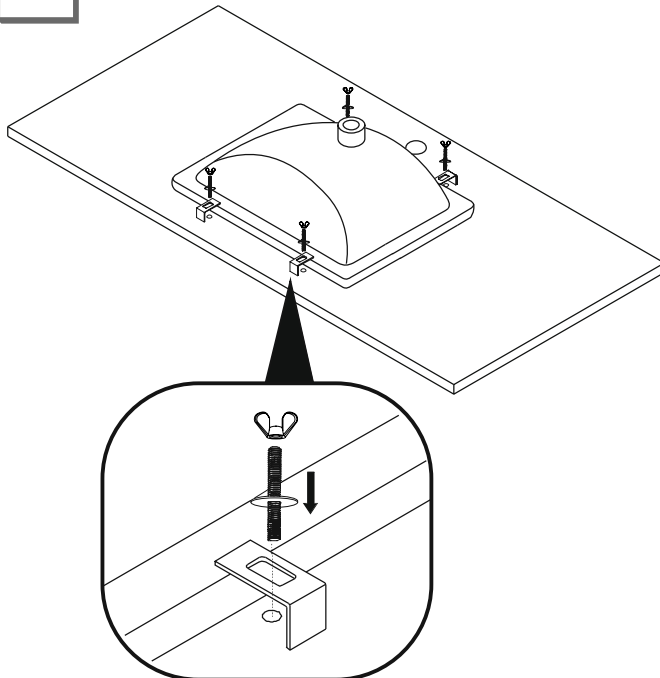
**IMPORTANT:** Consult an expert for the proper screws/bolts to use when attaching to various constructions, Screws provided do not attach to all wall construction types. Anchors are not required if brackets are installed in stud.



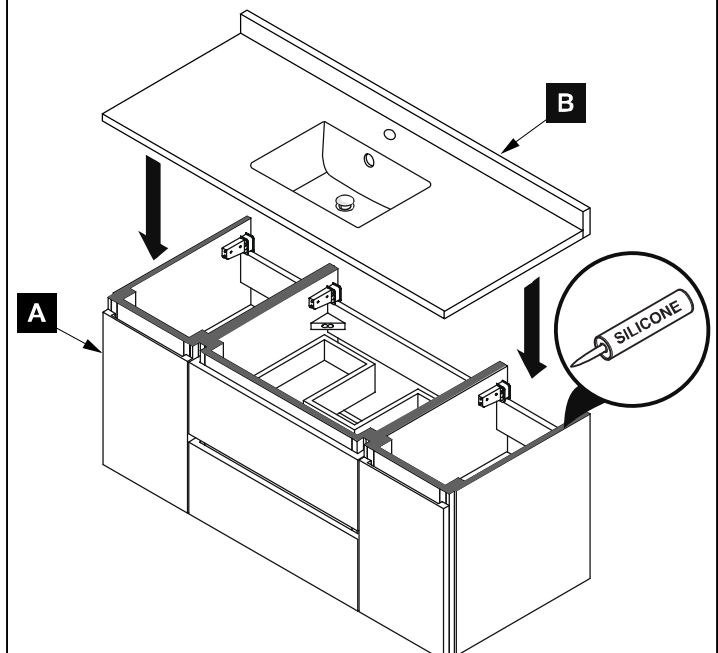
**2** Attach cabinet to the wall with the screws. Insert the anchor(1) into the holes and secure the wall bracket(2) with the screws(3).

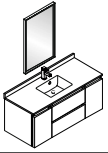


**3** Install sink.



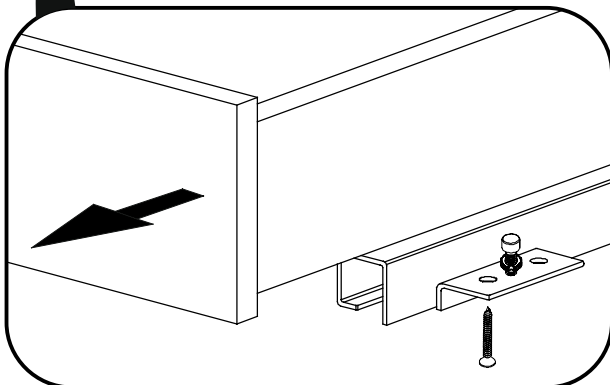
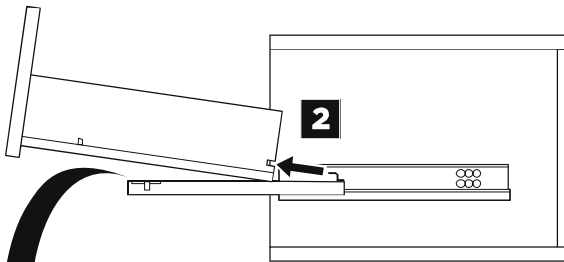
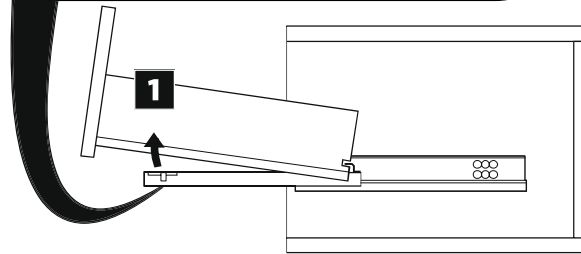
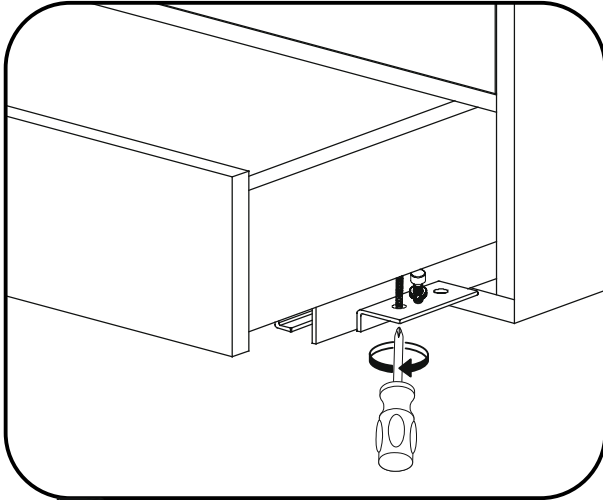
**4** Apply a bead of silicone on the top of the cabinet (A) and place sink (B) on the cabinet.



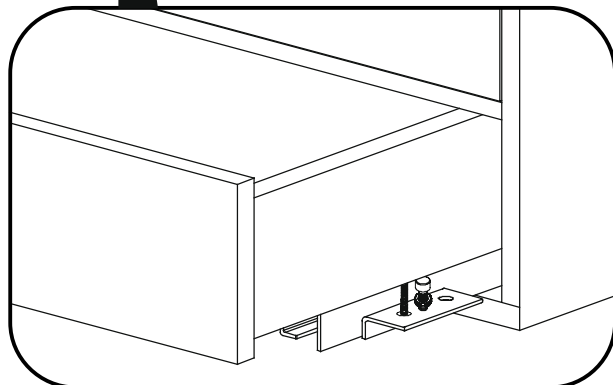
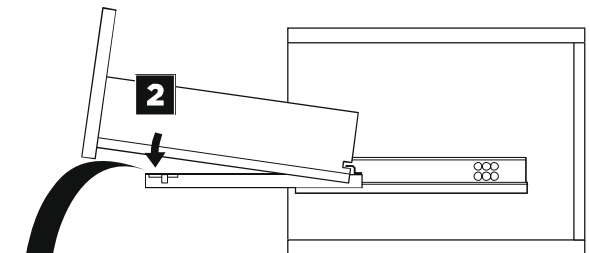
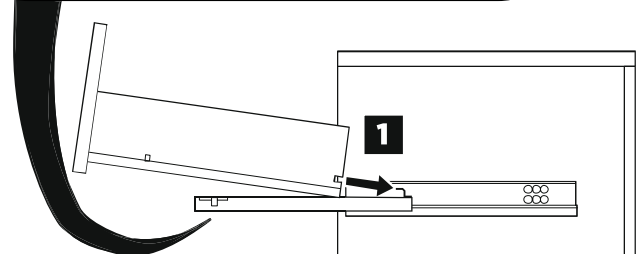
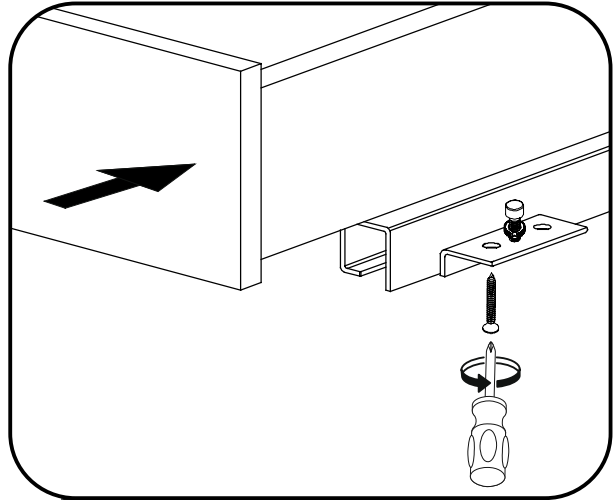


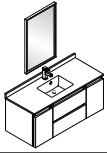
## DRAWER REMOVAL & INSTALLATION

### REMOVAL



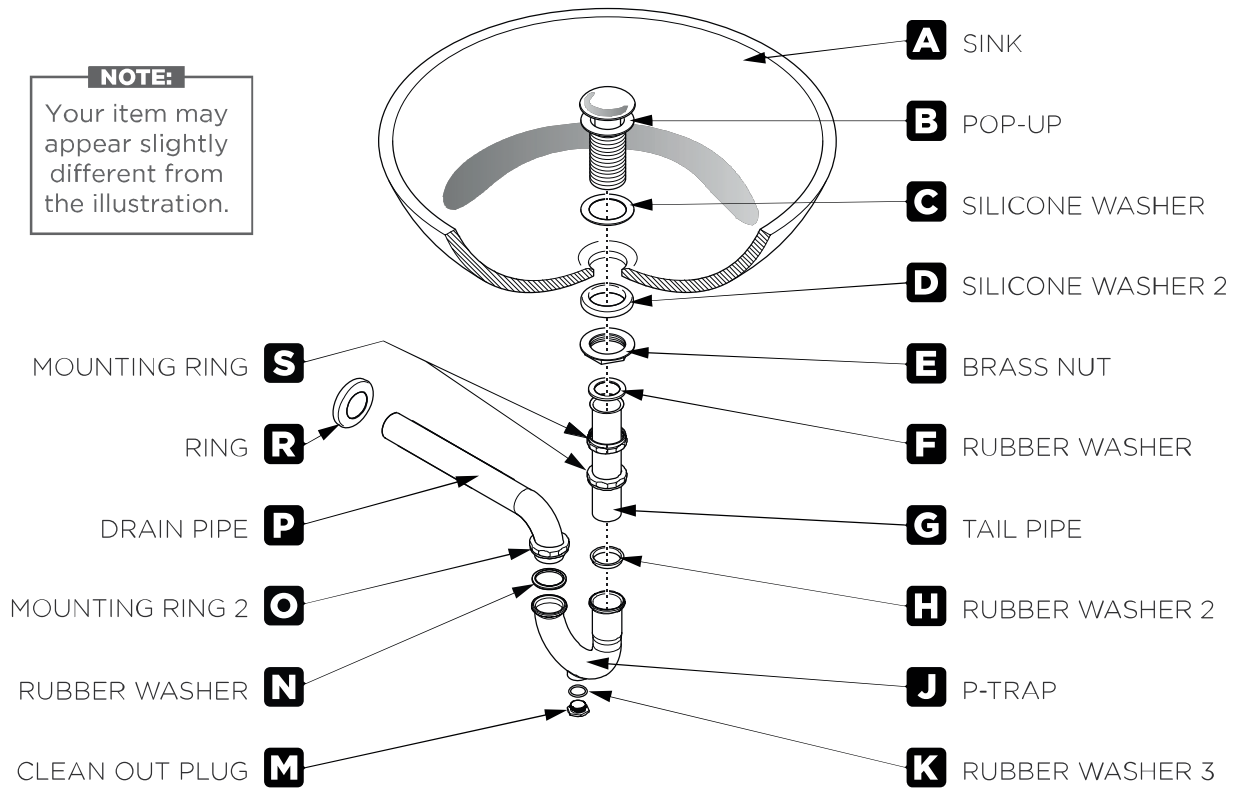
### INSTALLATION





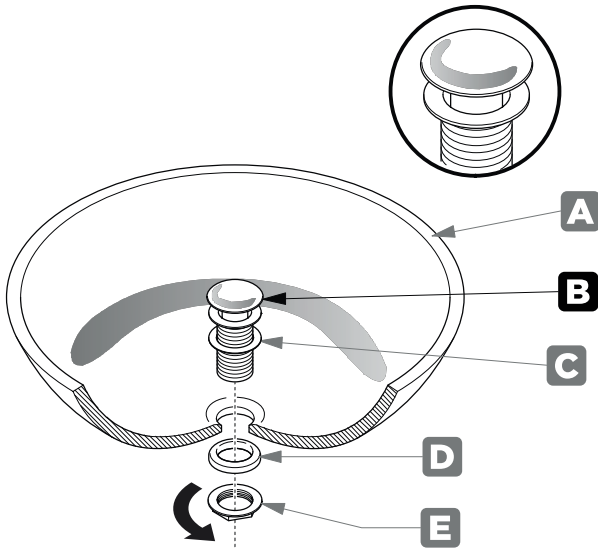
**P-TRAP AND POP-UP INSTALLATION INSTRUCTIONS**

**NOTE:**  
 Your item may appear slightly different from the illustration.



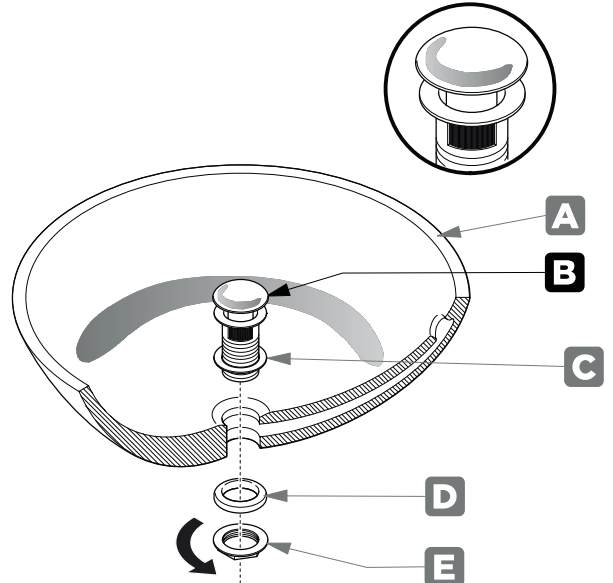
**POP-UP INSTALLATION INSTRUCTIONS**

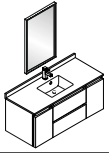
**FOR SINKS WITHOUT OVERFLOW**



**OR**

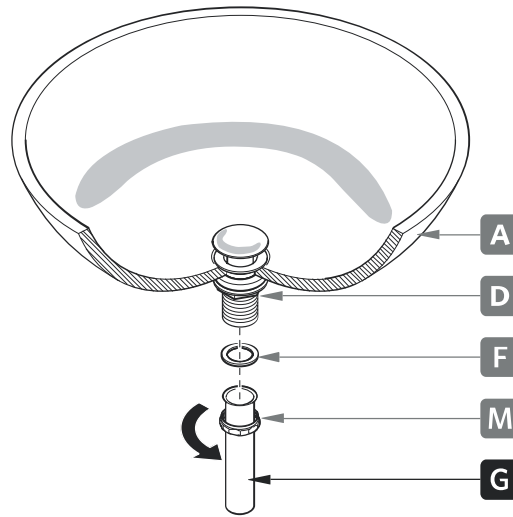
**FOR SINKS WITH OVERFLOW**





## P-TRAP INSTALLATION

**1** Install tail pipe (G)



**2** Install p-trap (J)

