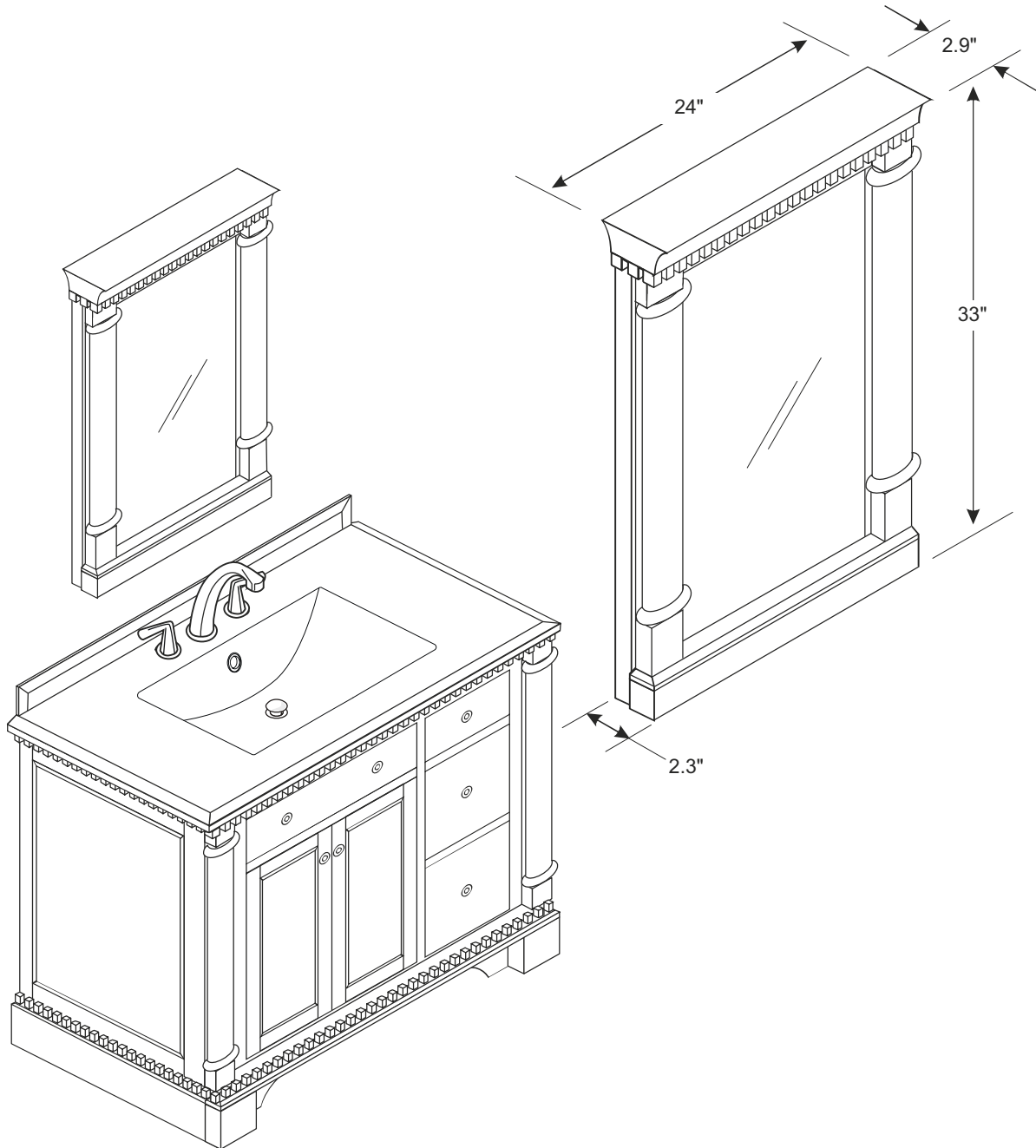


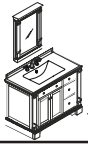
**FVN2236**  
**KINGSTON**  
**INSTALLATION GUIDE**

**kitchensource.com**  
1.800.667.8721



Note: All dimensions and specifications are approximate and subject to change without notice.



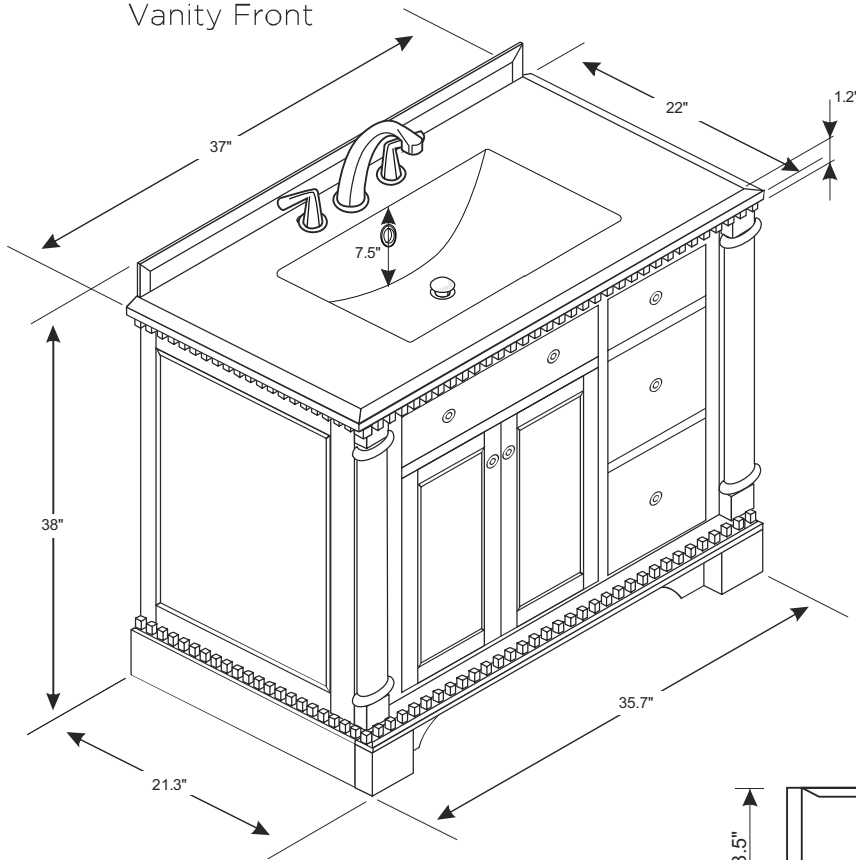


**FVN2236**  
**KINGSTON**  
**INSTALLATION GUIDE**

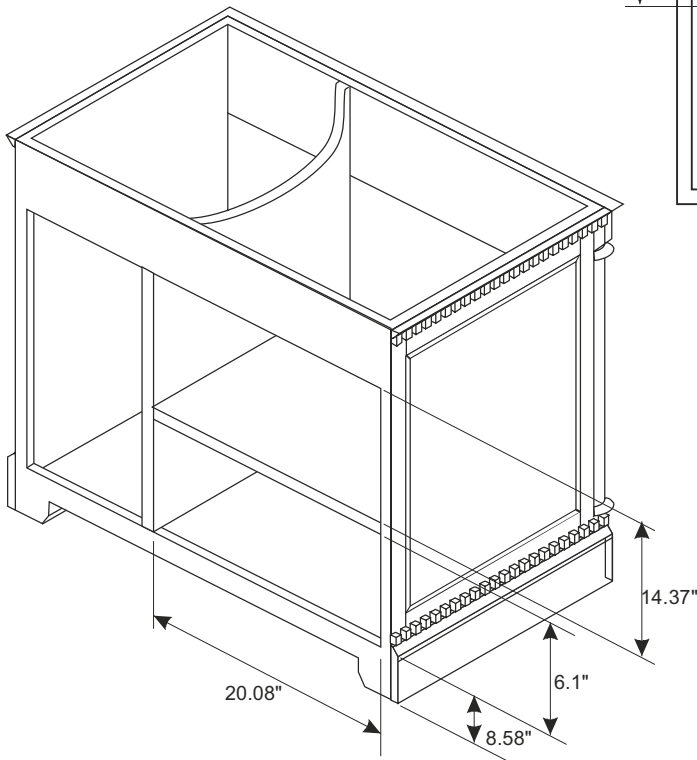
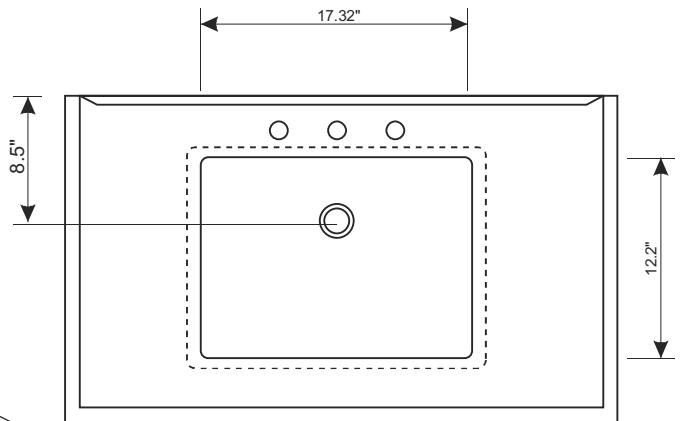
**kitchen**source.com  
 1.800.667.8721



Vanity Front

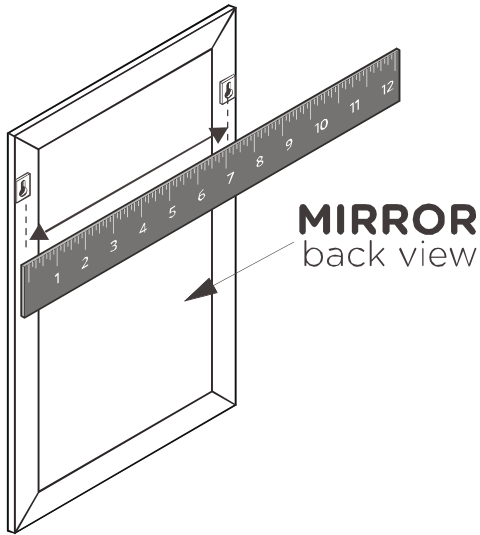


Vanity Back



## MIRROR INSTALLATION INSTRUCTIONS

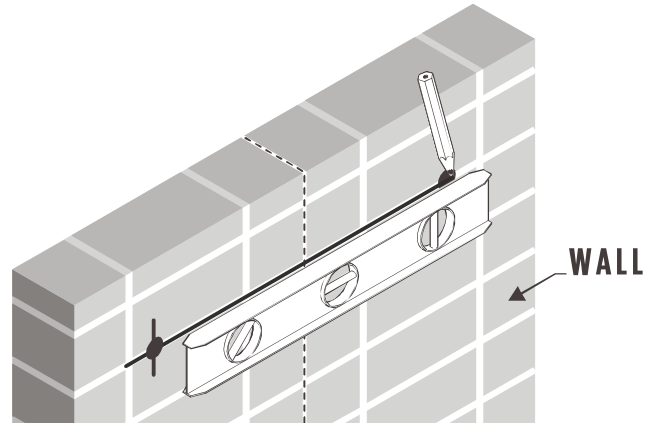
- 1 Flip the mirror over and measure the distance between the holes.



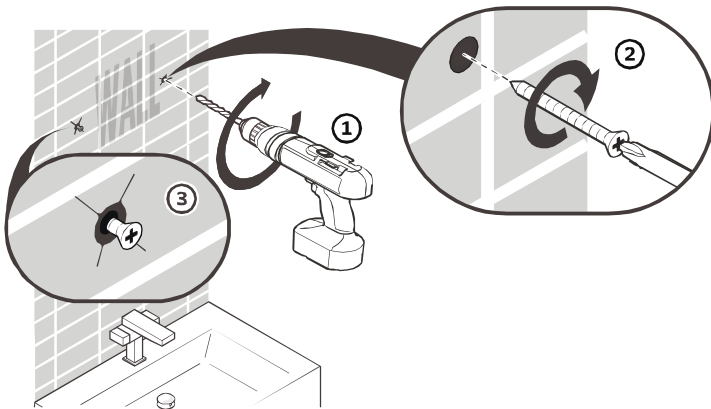
## TOOLS FOR ASSEMBLY



- 2 Mark the measured distance on the wall using a level.

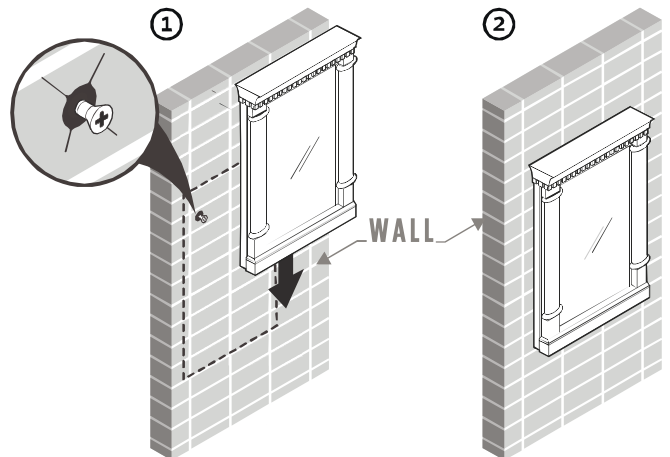


- 3 Once positions is marked drill 2 holes and insert anchors if stud is not available.

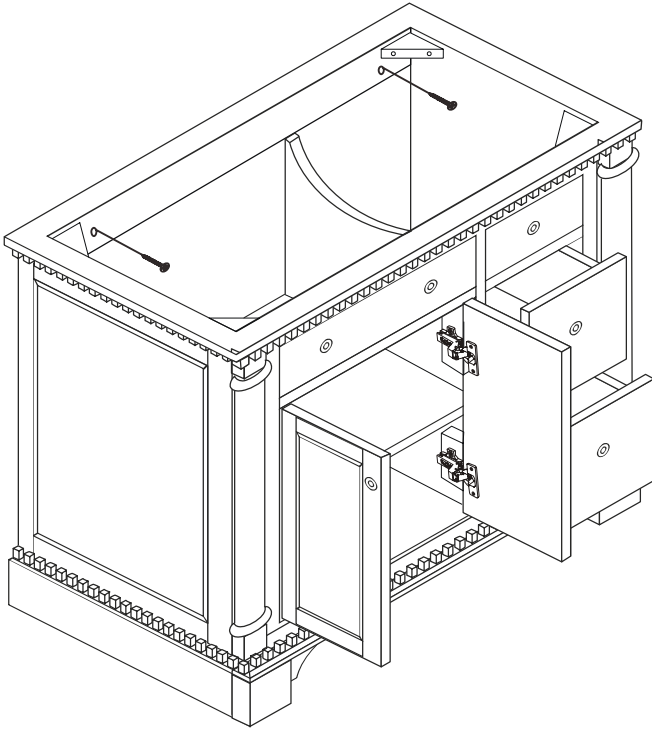


**! IMPORTANT:**  
CONSULT AN EXPERT FOR THE PROPER SCREWS/BOLTS TO USE WHEN ATTACHING TO VARIOUS WALL CONSTRUCTIONS. SCREWS PROVIDED DO NOT ATTACH TO ALL WALL CONSTRUCTION TYPES.

- 4 Hang mirror on the wall.

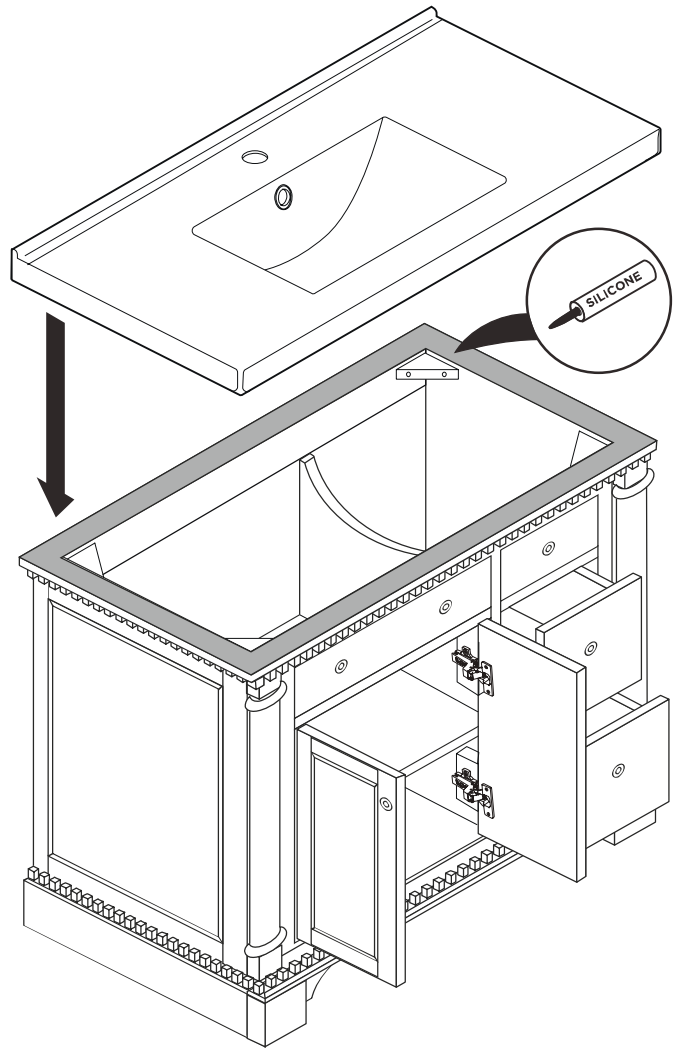


**1** Remove side cabinet drawer.

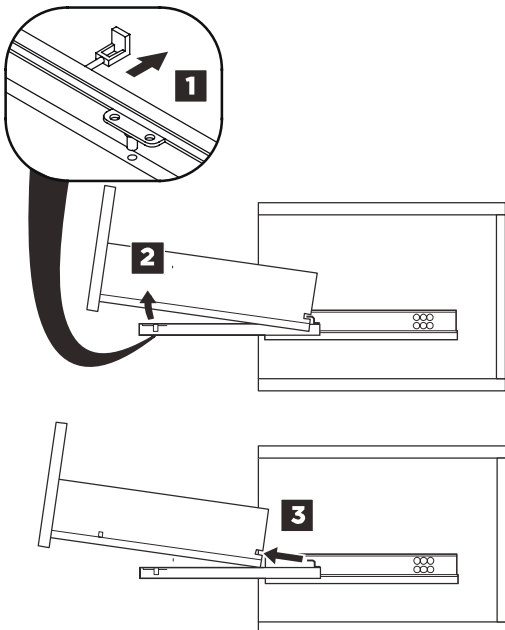


**IMPORTANT:** Consult an expert for the proper screws/bolts to use when attaching to various wall constructions. Screws provided do not attach to all wall construction types.

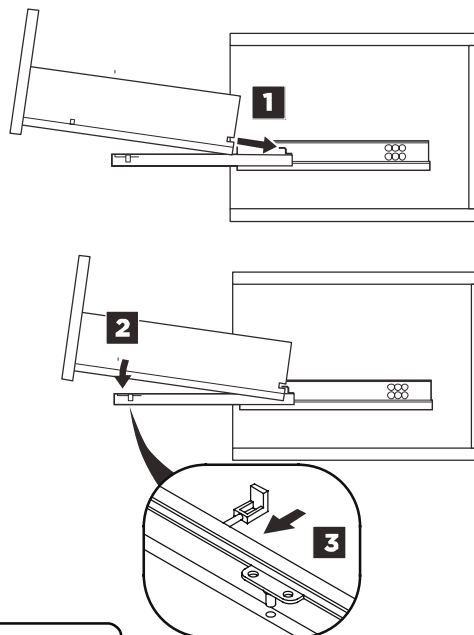
**2** Apply a bead of silicon on the top of the cabinet and place the sink on top.



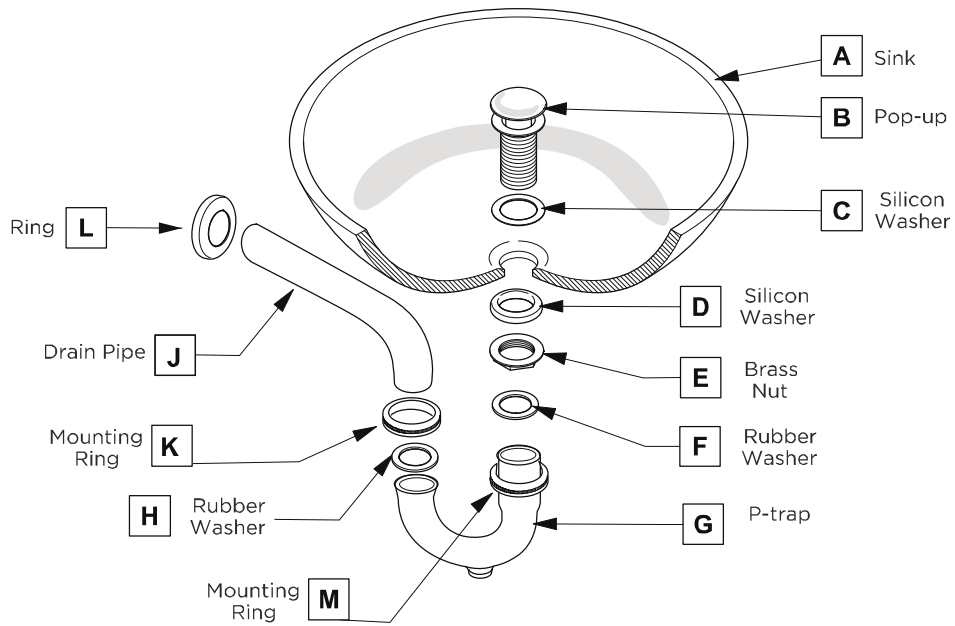
REMOVAL



INSTALLATION

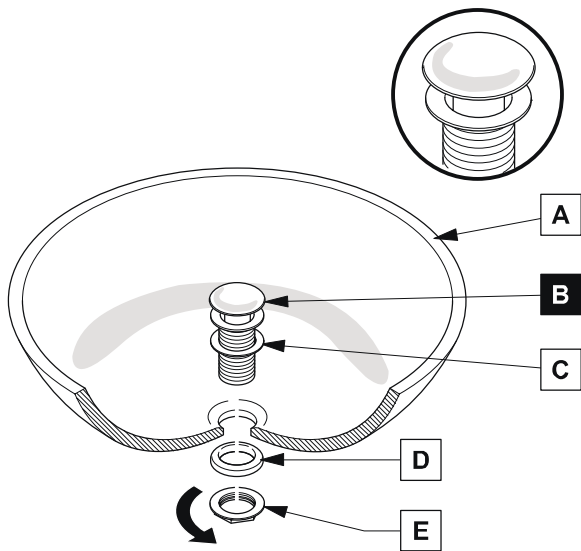


## P-TRAP AND POP-UP INSTALLATION INSTRUCTIONS



### POP-UP INSTALLATION

#### FOR SINKS WITHOUT OVERFLOW



**OR**

#### FOR SINKS WITH OVERFLOW

