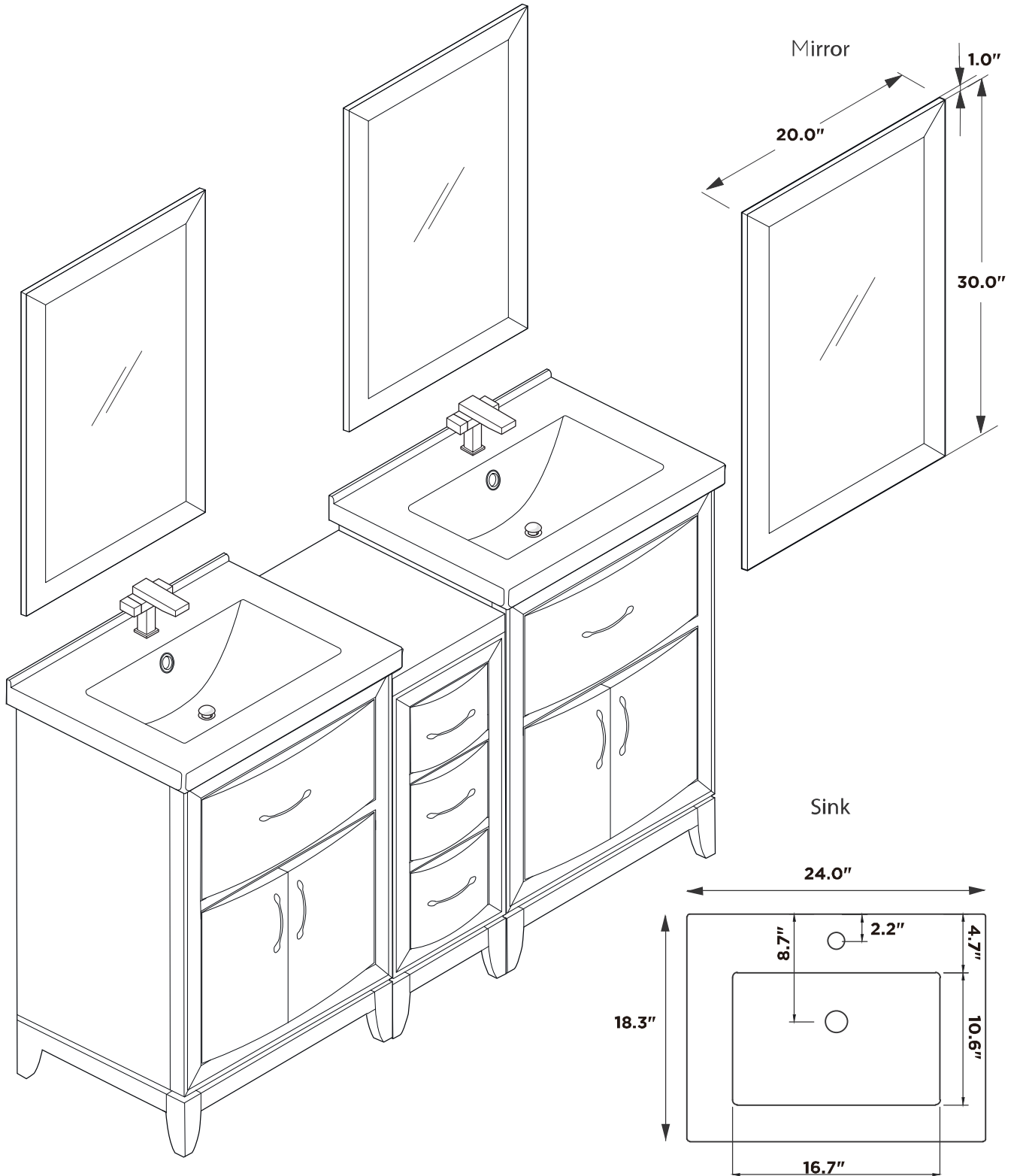




**FVN21-241224**  
**CAMBRIDGE**  
**INSTALLATION GUIDE**

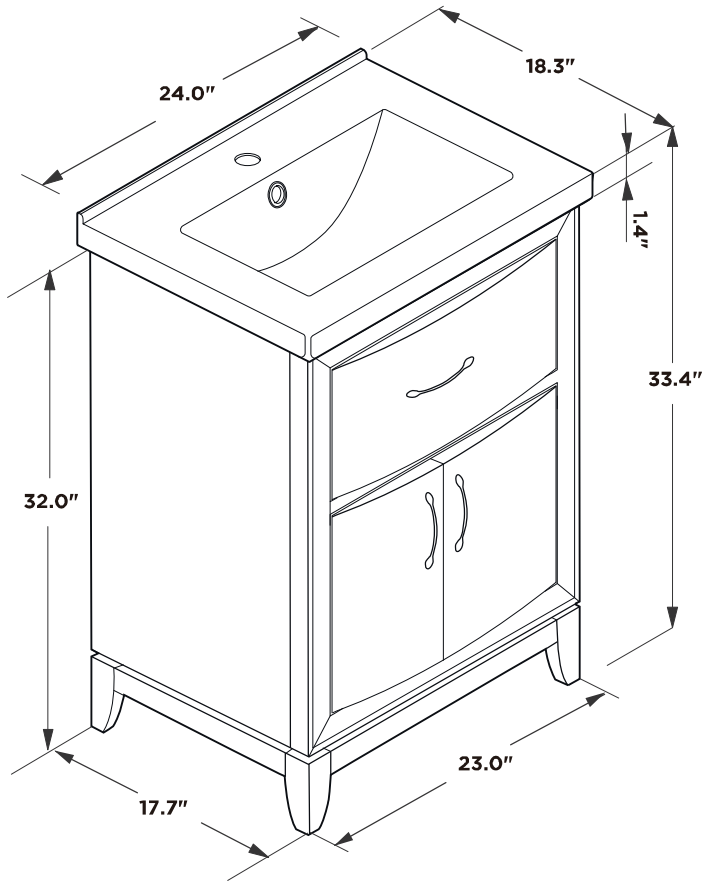
**kitchensource.com**  
 1.800.667.8721



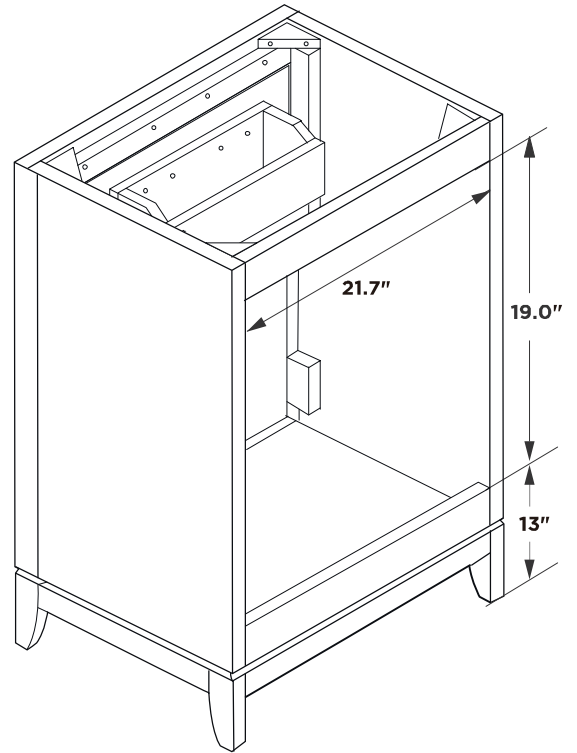
Note: All dimensions and specifications are approximate and subject to change without notice.



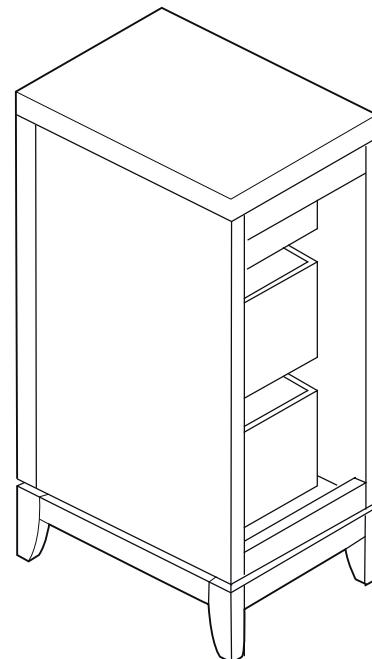
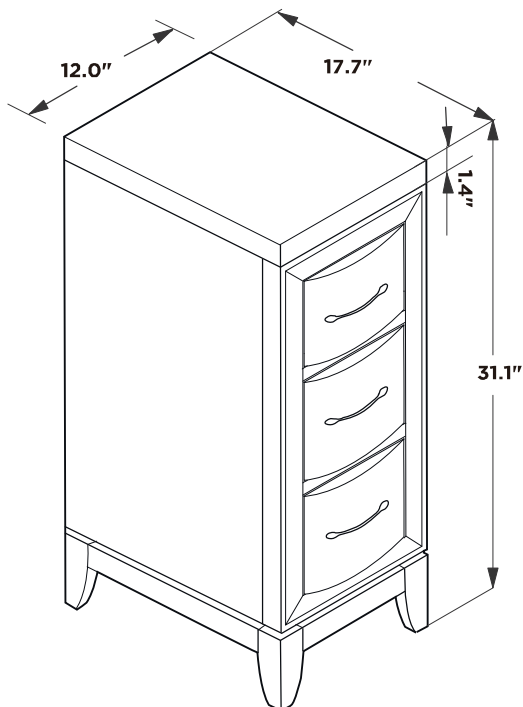
Vanity Front



Vanity Back



Side Cabinet Back

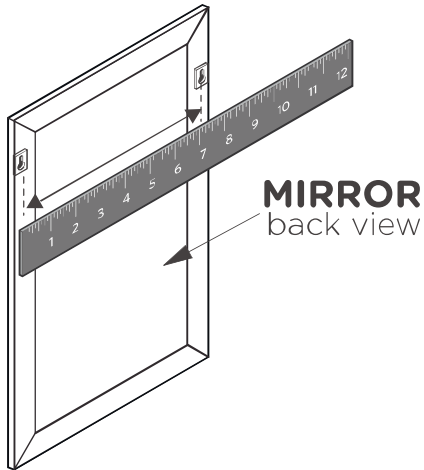


# MIRROR INSTALLATION INSTRUCTION

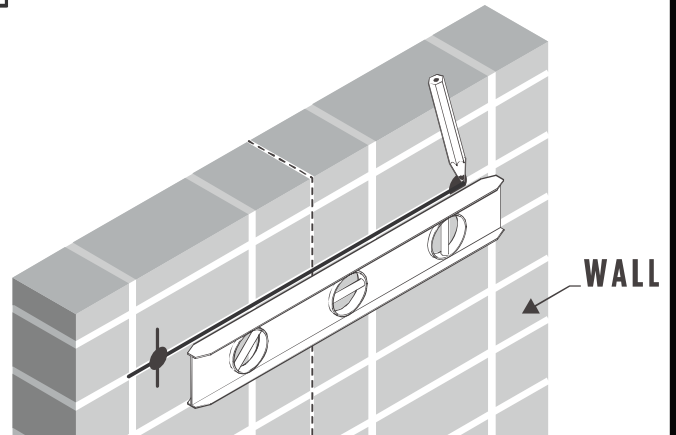
## TOOLS FOR ASSEMBLY



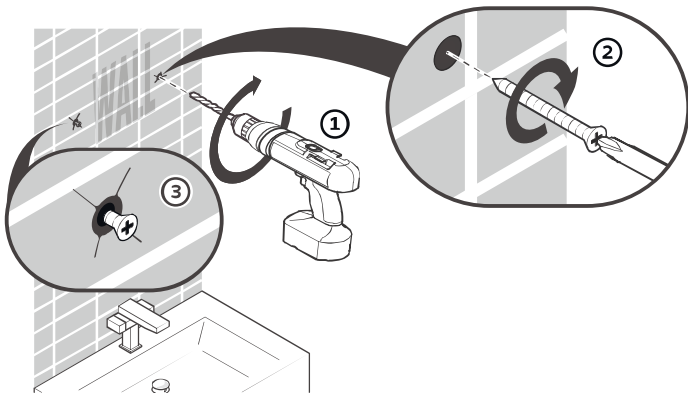
- 1** Measure the distance between the brackets on the back of the mirror



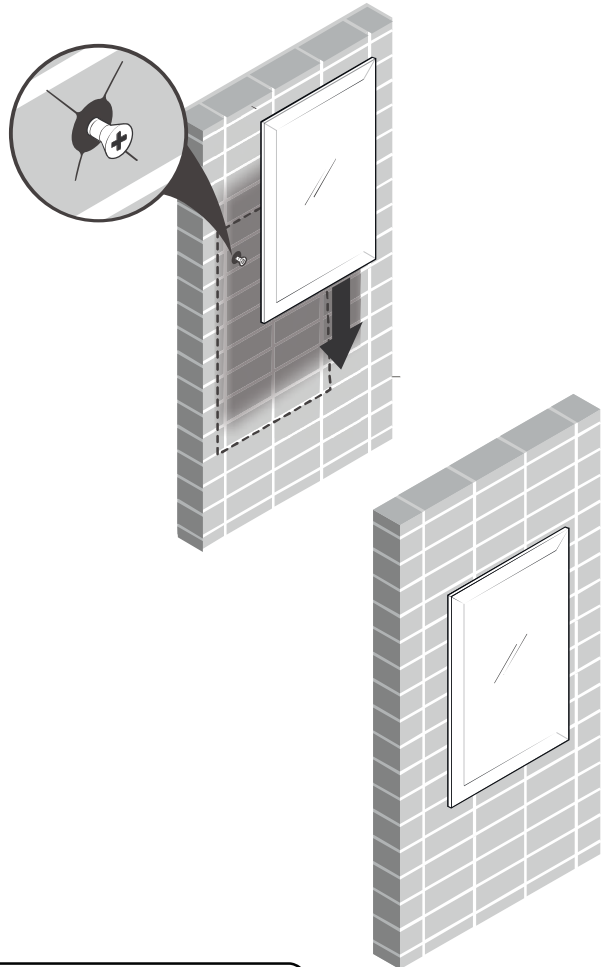
- 2** Mark the measured distance on the wall using a level



- 3** Once position is marked, drill 2 holes and insert anchors if stud is not available



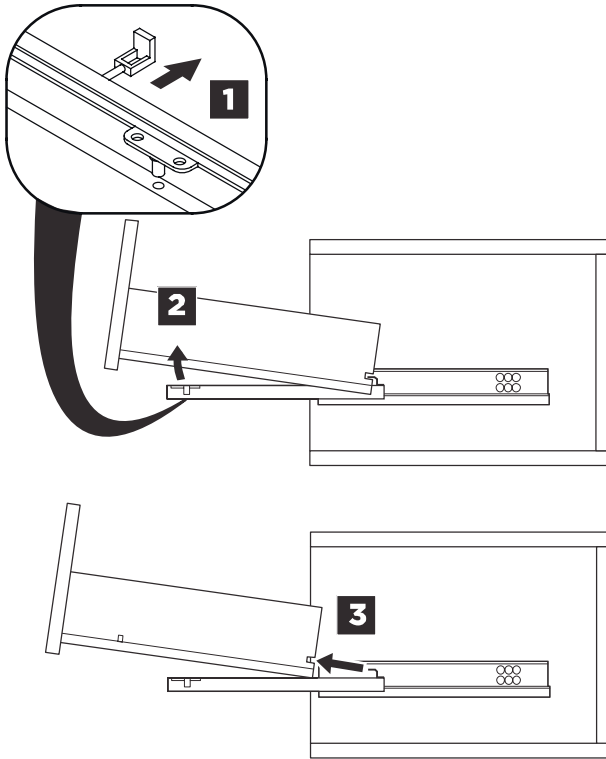
- 4** Hang mirror on the wall



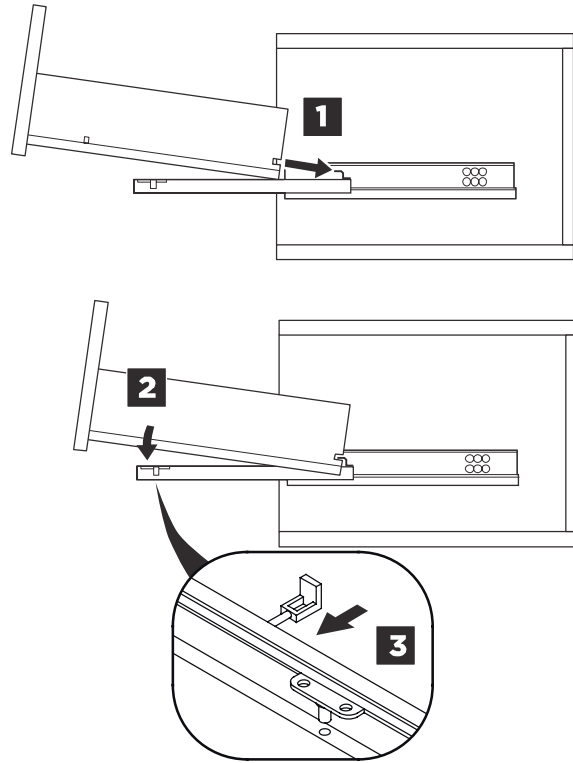
### IMPORTANT:

CONSULT AN EXPERT FOR THE PROPER SCREWS/BOLTS TO USE WHEN ATTACHING TO VARIOUS WALL CONSTRUCTIONS. SCREWS PROVIDED **DO NOT ATTACH** TO ALL WALL CONSTRUCTION TYPES.

### DRAWER REMOVAL

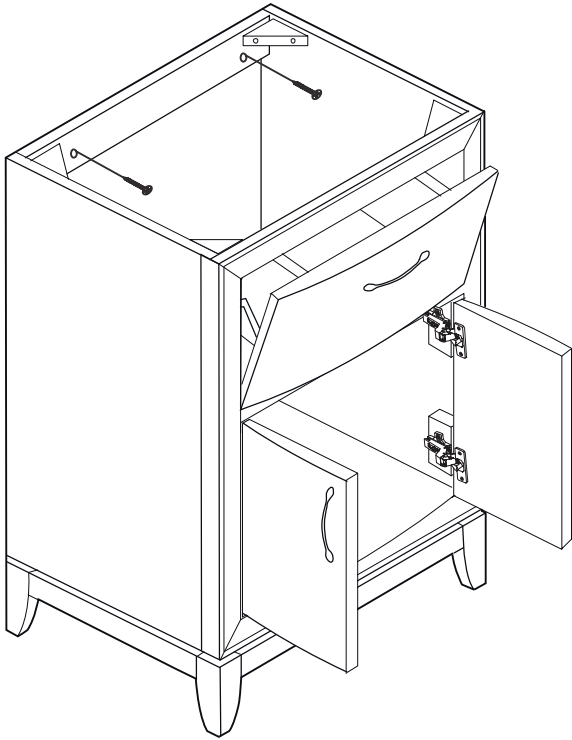


### DRAWER INSTALLATION

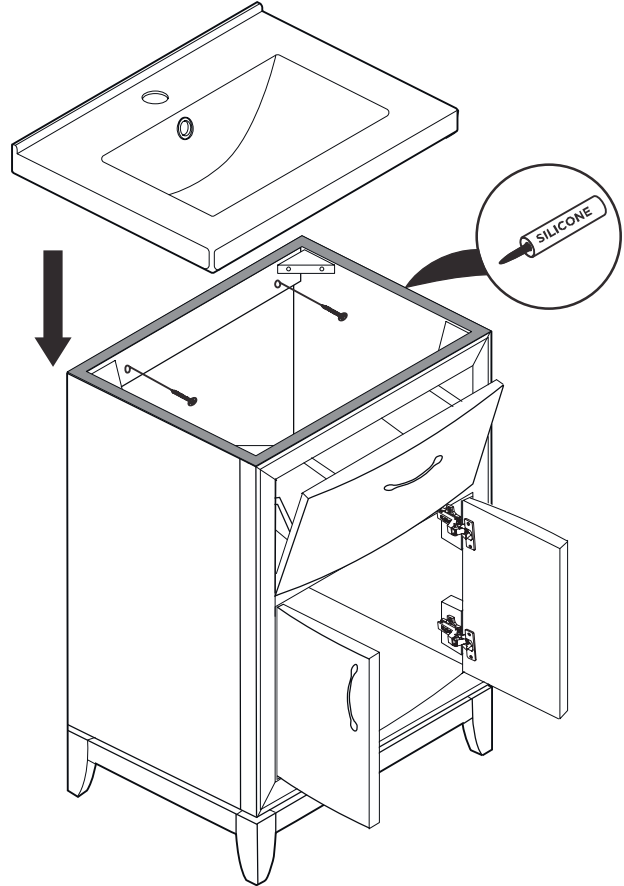


## INSTALLATION INSTRUCTIONS

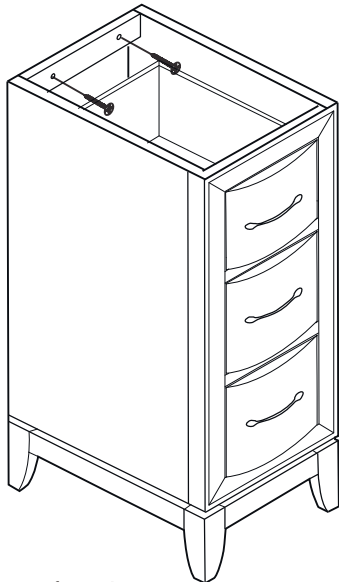
- 1** Secure cabinet to the wall



- 2** Apply a bead of silicone on the top of the cabinet and place the sink on top

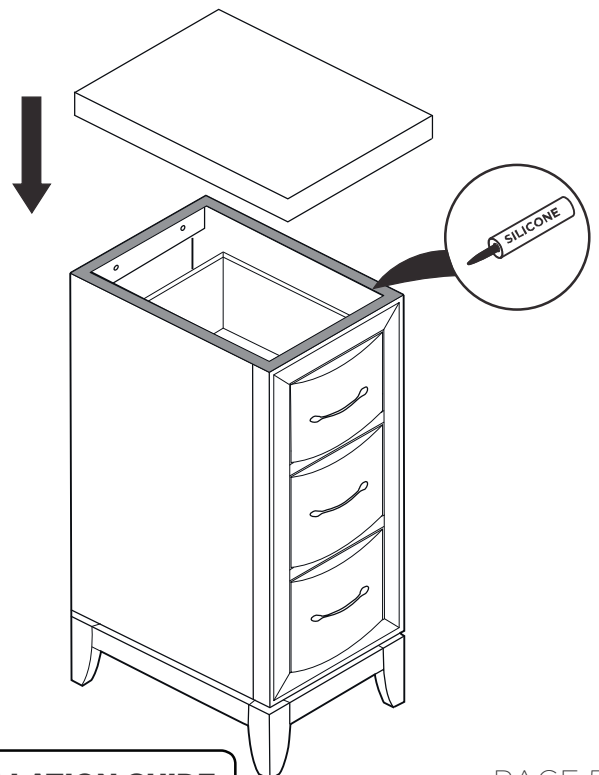


- 3** Remove side cabinet drawer  
**4** Secure cabinet to the wall



**IMPORTANT:**  
Consult an expert for the proper screws/bolts to use when attaching to various wall constructions. Screws provided do not attach to all wall construction types.

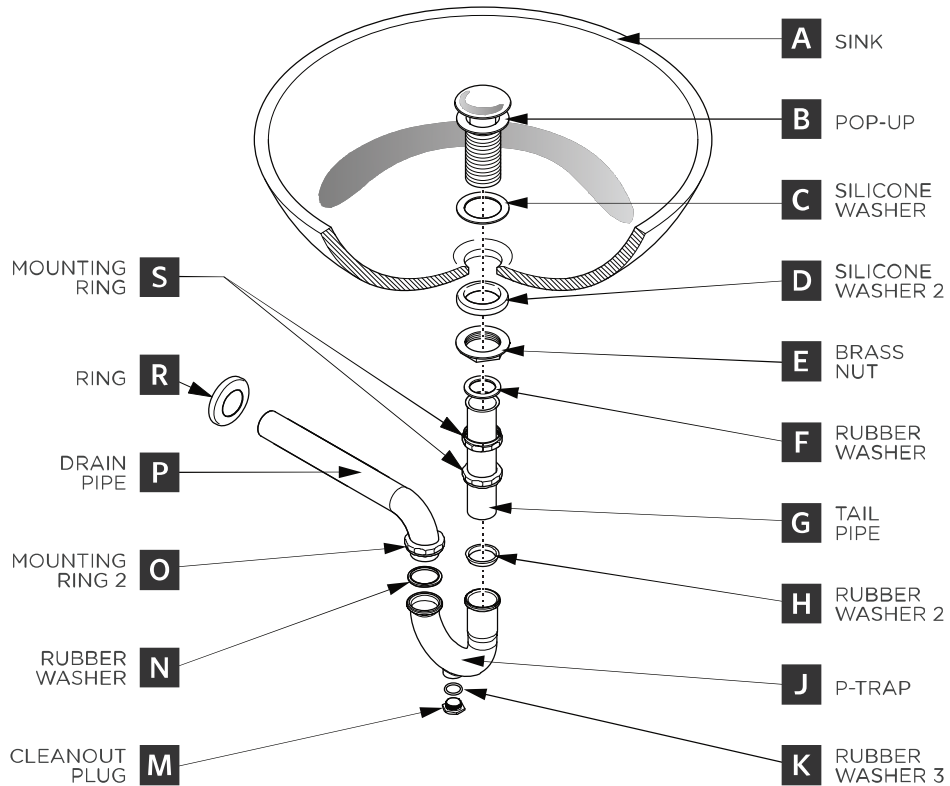
- 5** Apply a bead of silicone on top of the cabinet and place the counter-top on top



# P-TRAP & POP-UP

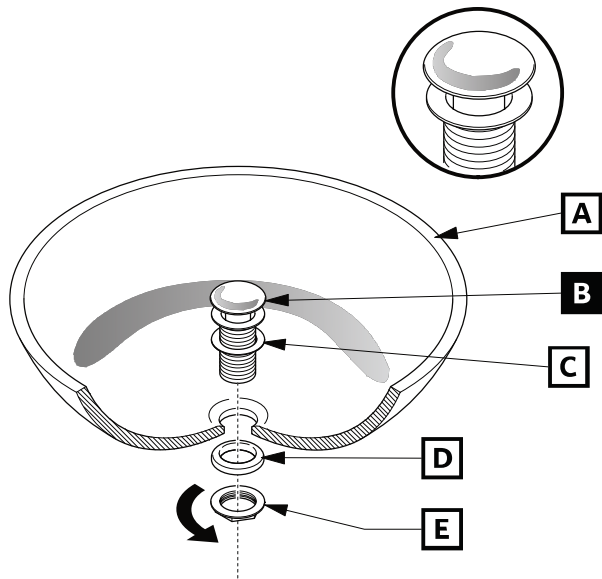
## INSTALLATION INSTRUCTIONS

Your item may appear slightly different from the illustration.



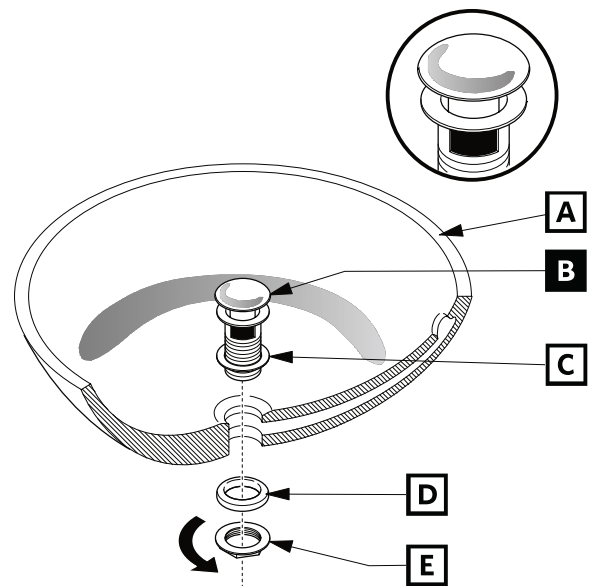
### POP-UP INSTALLATION

#### FOR SINKS WITHOUT OVERFLOW



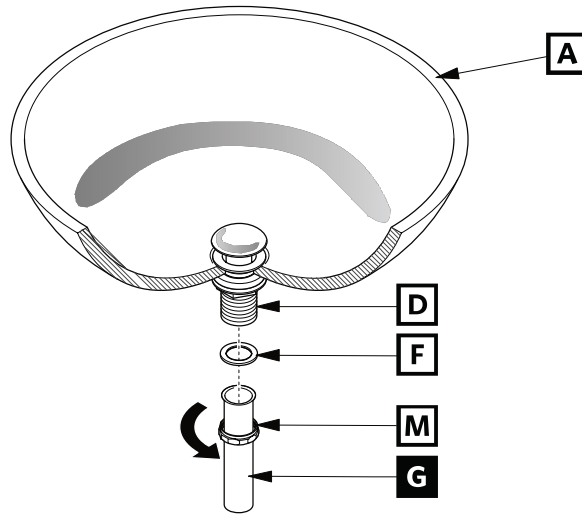
OR

#### FOR SINKS WITH OVERFLOW



# P-TRAP INSTALLATION

**1** Install tail pipe (G)



**2** Install P-trap (J)

