



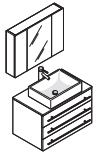
**FVN6183**

# MODELLO

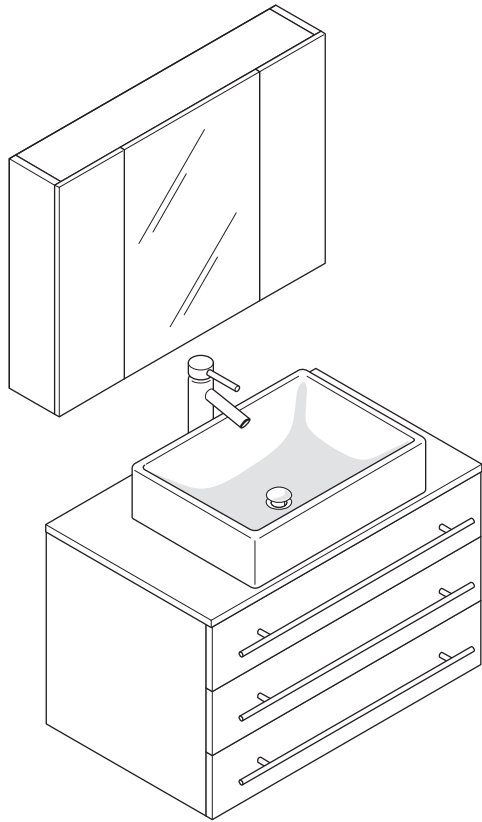
## INSTALLATION GUIDE

### CONTENTS:

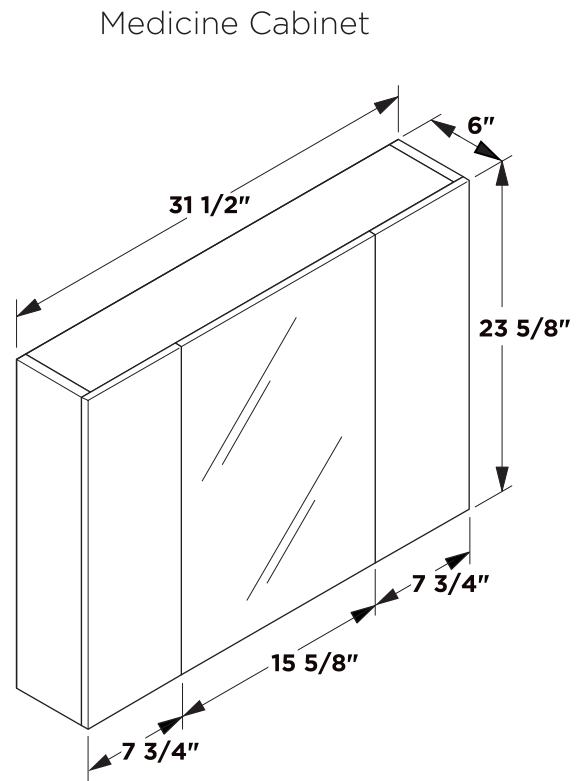
Cabinet.....	(FCB6183).....	PAGE 2
Sink.....	(FVS6183).....	PAGE 2
Countertop.....	(FCT6183).....	PAGE 2
Medicine Cabinet.....	(FMC6183).....	PAGE 3



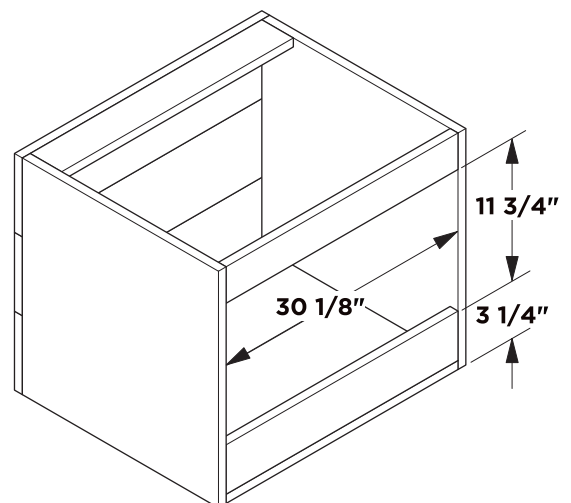
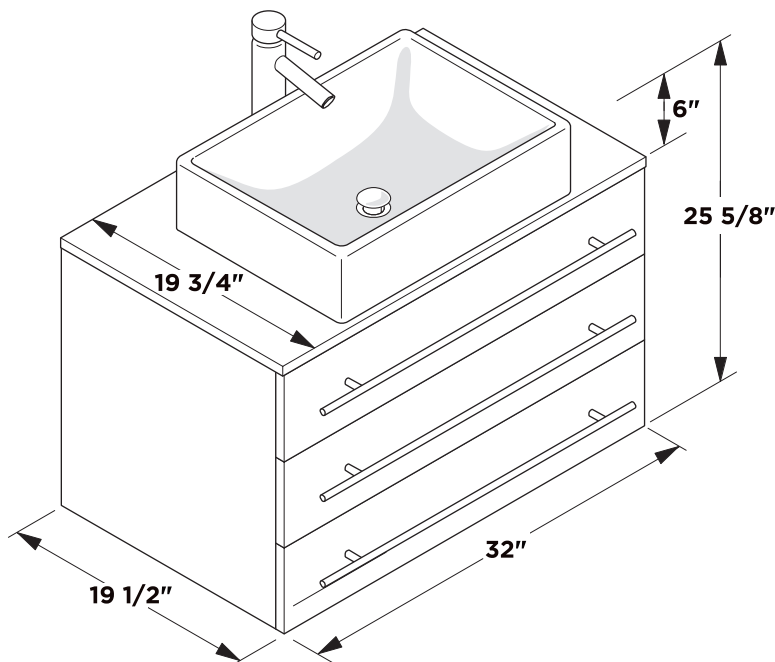
# FVN6183 MODELLO INSTALLATION GUIDE



Vanity Front

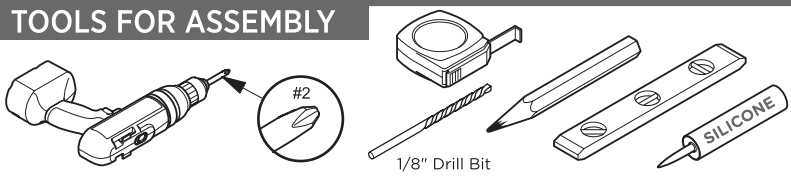


Vanity Back

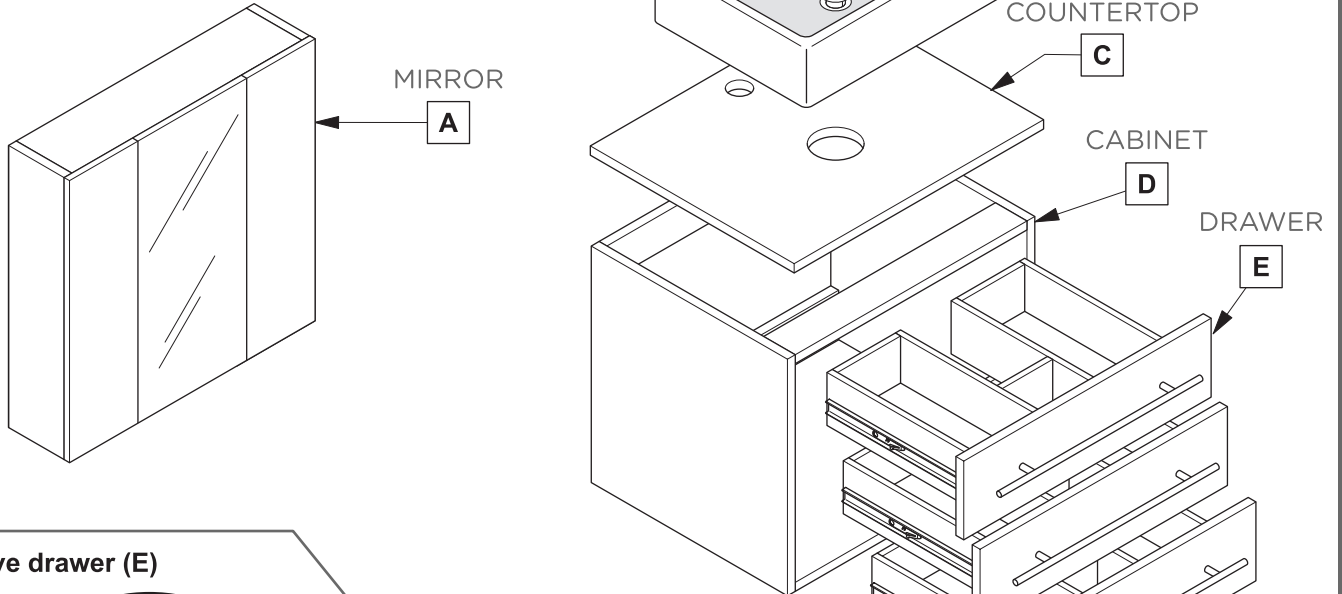


**NOTE:** ALL DIMENSIONS & SPECIFICATIONS ARE APPROXIMATE AND SUBJECT TO CHANGE WITHOUT NOTICE.

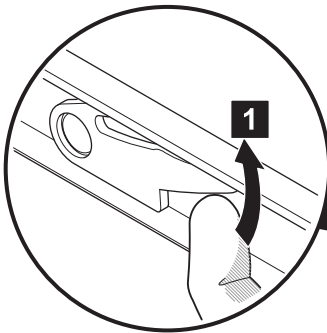
**TOOLS FOR ASSEMBLY**



**PARTS**

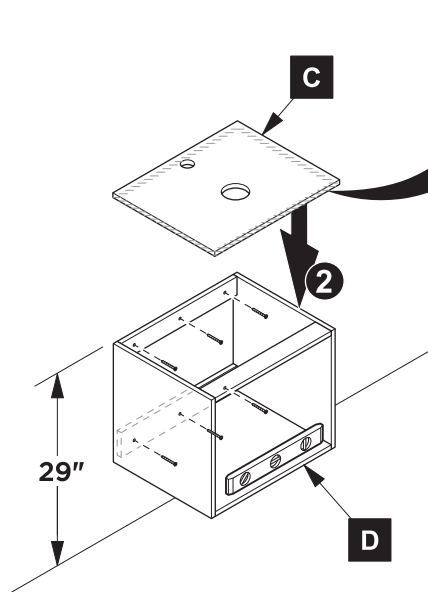


**1** Remove drawer (E)



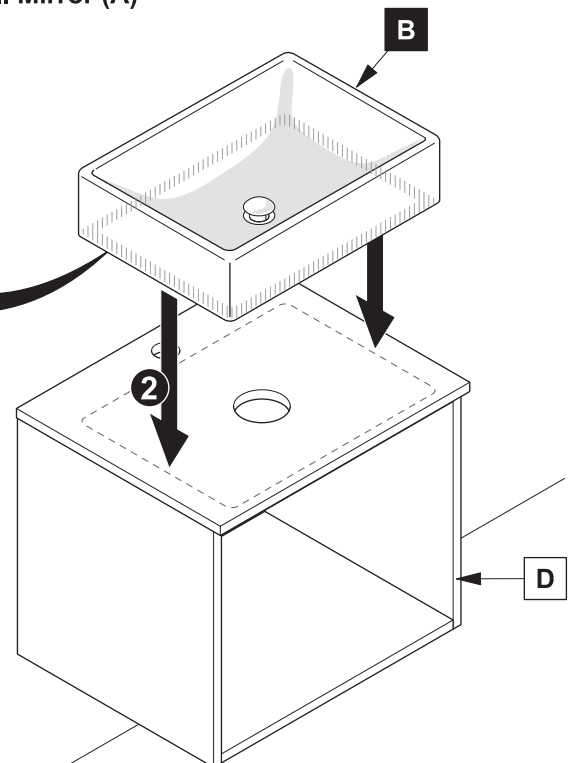
**2** Install cabinet (D)

**3** Apply silicone and install countertop (C)

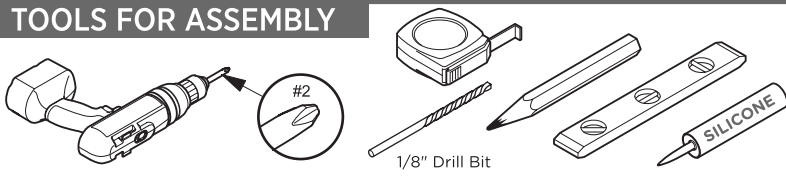


**4** Apply silicone and install sink (B)

**5** Install Mirror (A)

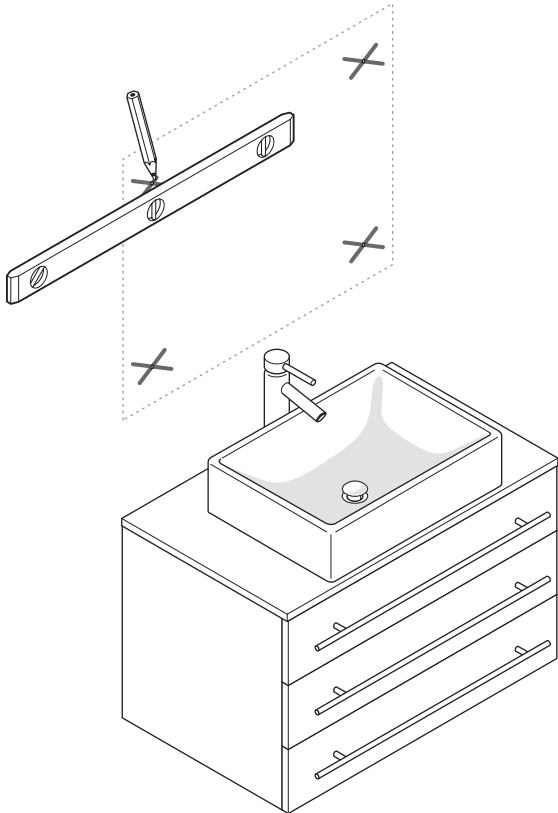


## TOOLS FOR ASSEMBLY



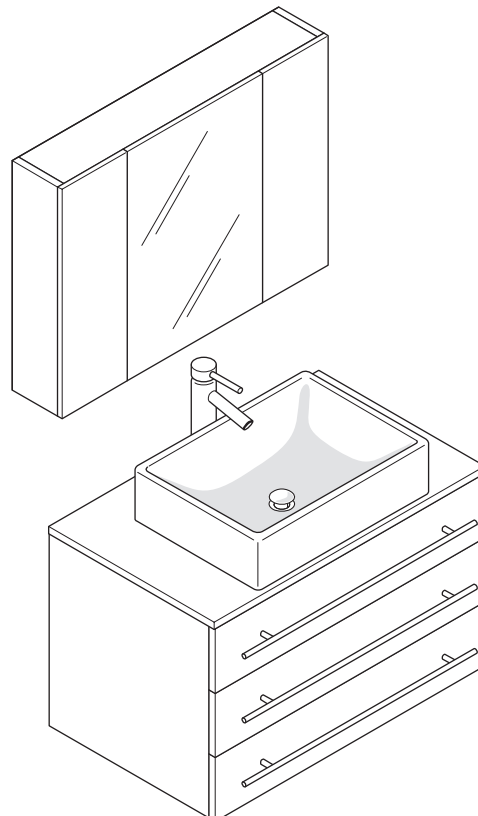
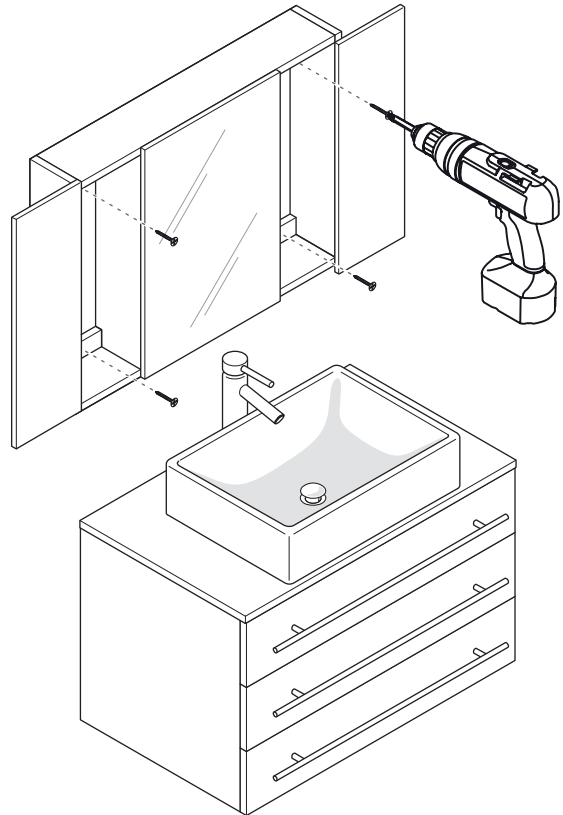
## MIRRORED CABINET INSTALLATION

- 1** Mark the wall using a level for the mounting position.



**NOTE:** Consult an expert for the proper screws & bolts to use when attaching to various constructions. Screws provided *do not* attach to all wall construction types.

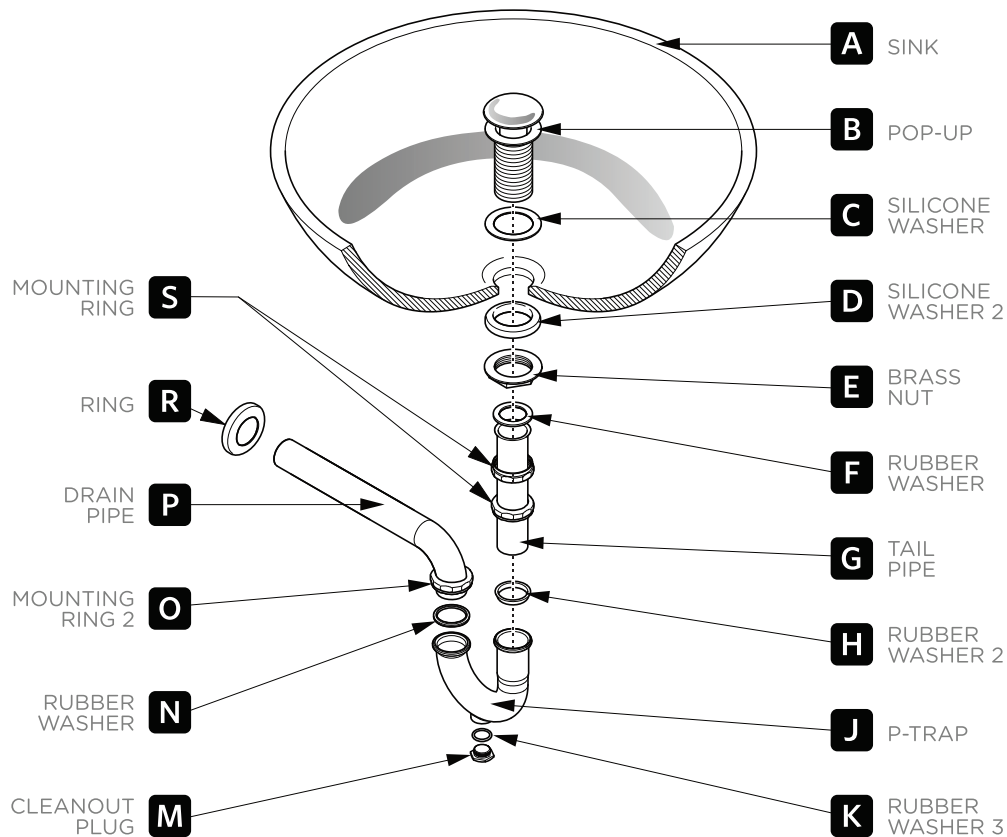
- 2** Place then attach cabinet to the wall with the screws using a drill.



**FVN6183**  
**MODELLO**  
**INSTALLATION GUIDE**

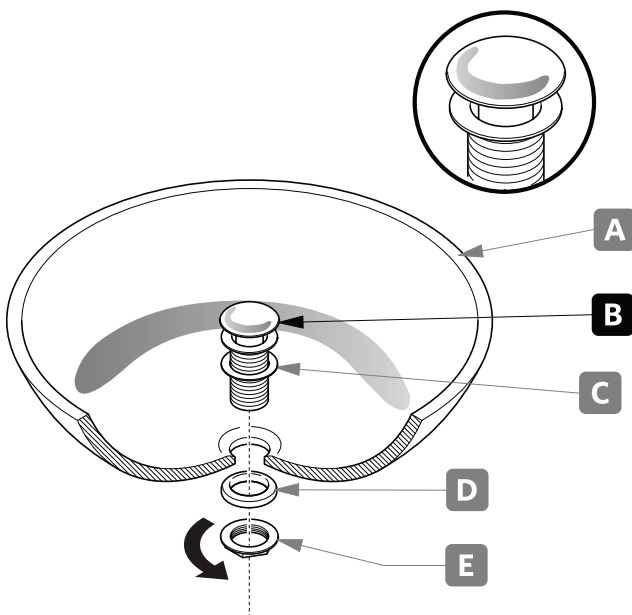
# P-TRAP & POP-UP INSTALLATION INSTRUCTIONS

Your item may appear slightly different from the illustration.



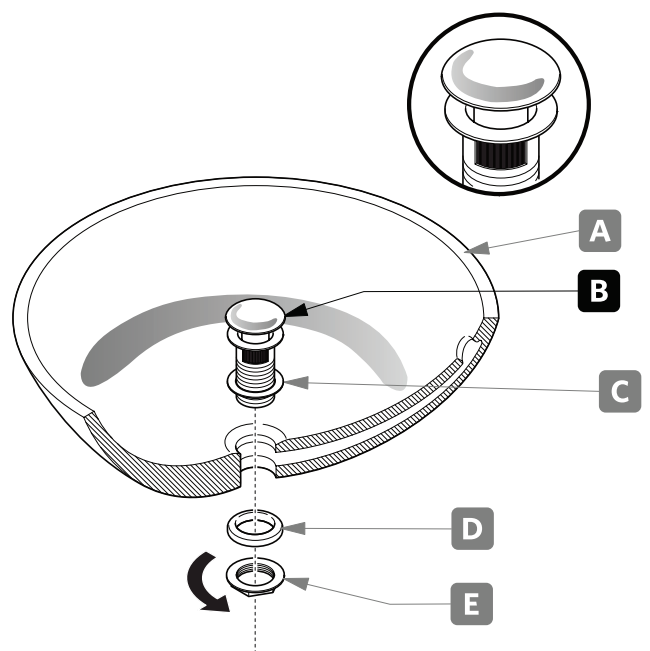
## POP-UP INSTALLATION

**FOR SINKS  
WITHOUT OVERFLOW**



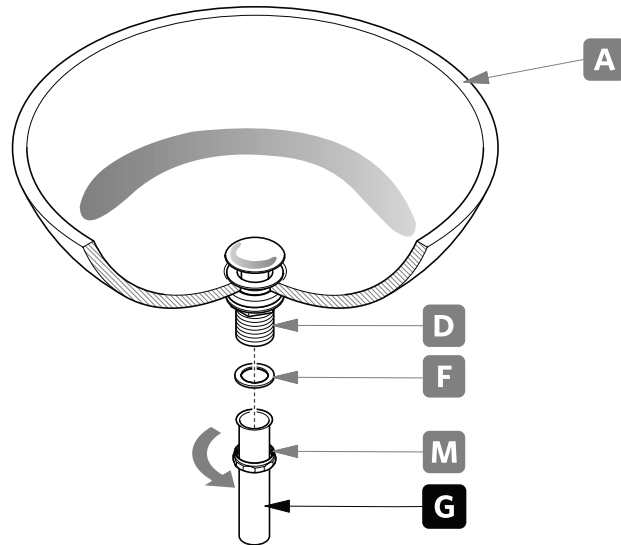
OR

**FOR SINKS  
WITH OVERFLOW**



# P-TRAP INSTALLATION

**1.** Install tail pipe **(G)**.



**2.** Install P-trap **(J)**.

