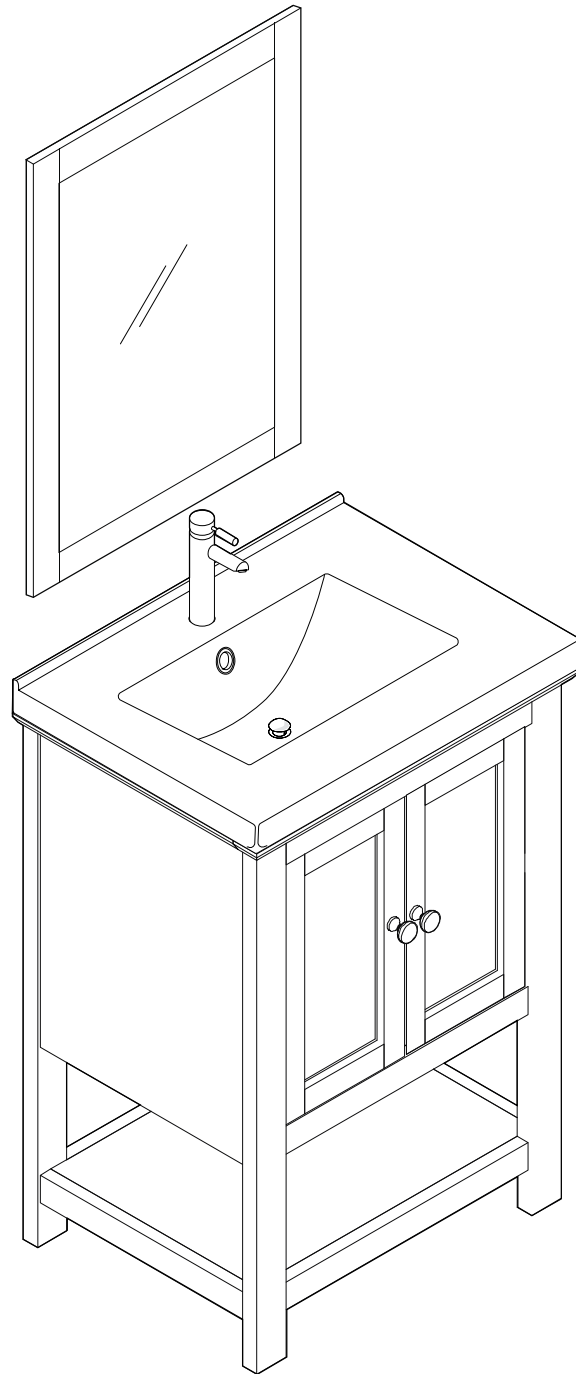
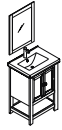


FCB2304-I
MANCHESTER
INSTALLATION GUIDE

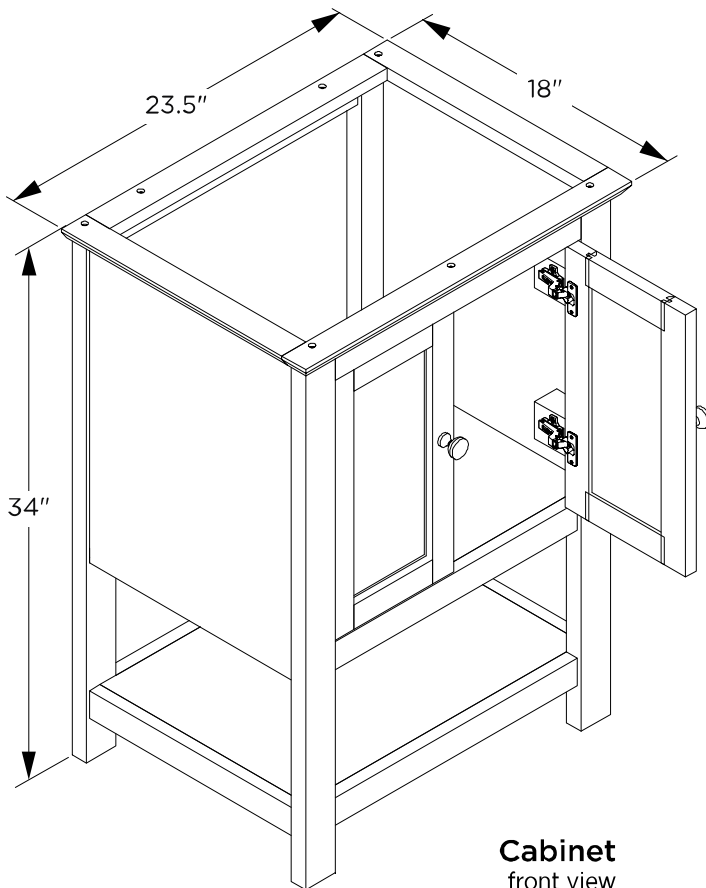
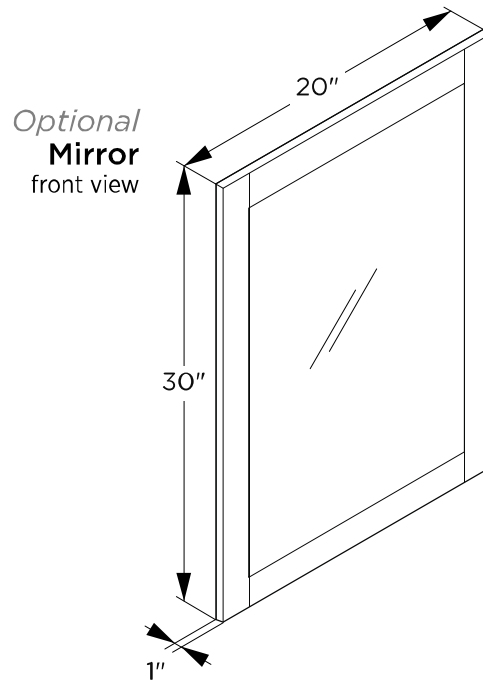
://kitchensource.com
1.800.667.8721



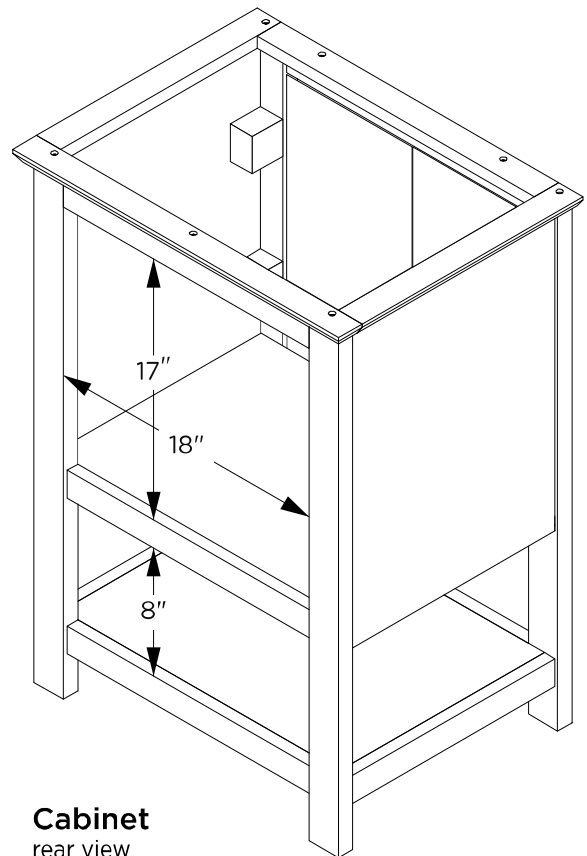


FCB2304-I MANCHESTER INSTALLATION GUIDE

kitchensource.com
1.800.667.8721



Cabinet
front view



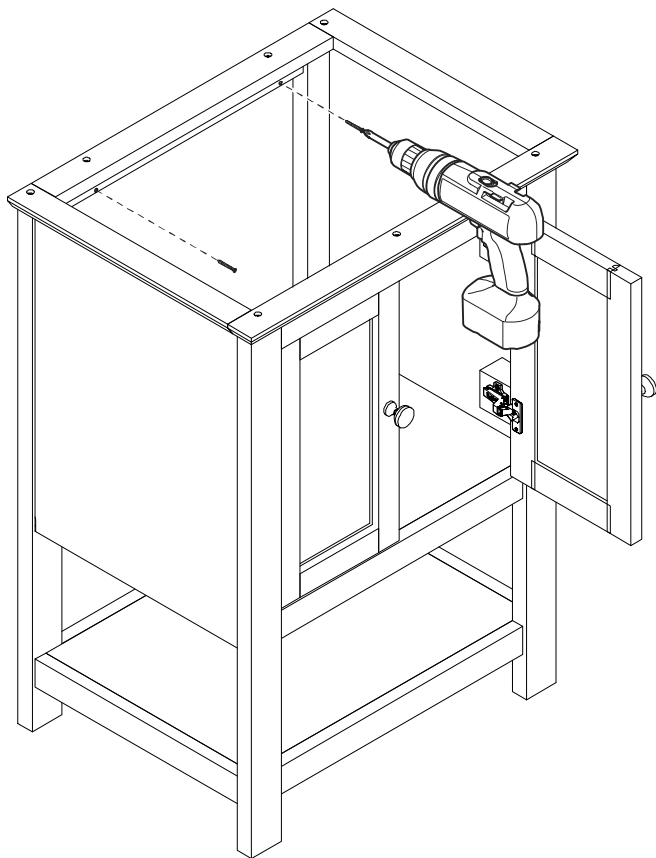
Cabinet
rear view

NOTE: ALL DIMENSIONS & SPECIFICATIONS ARE APPROXIMATE AND SUBJECT TO CHANGE WITHOUT NOTICE.



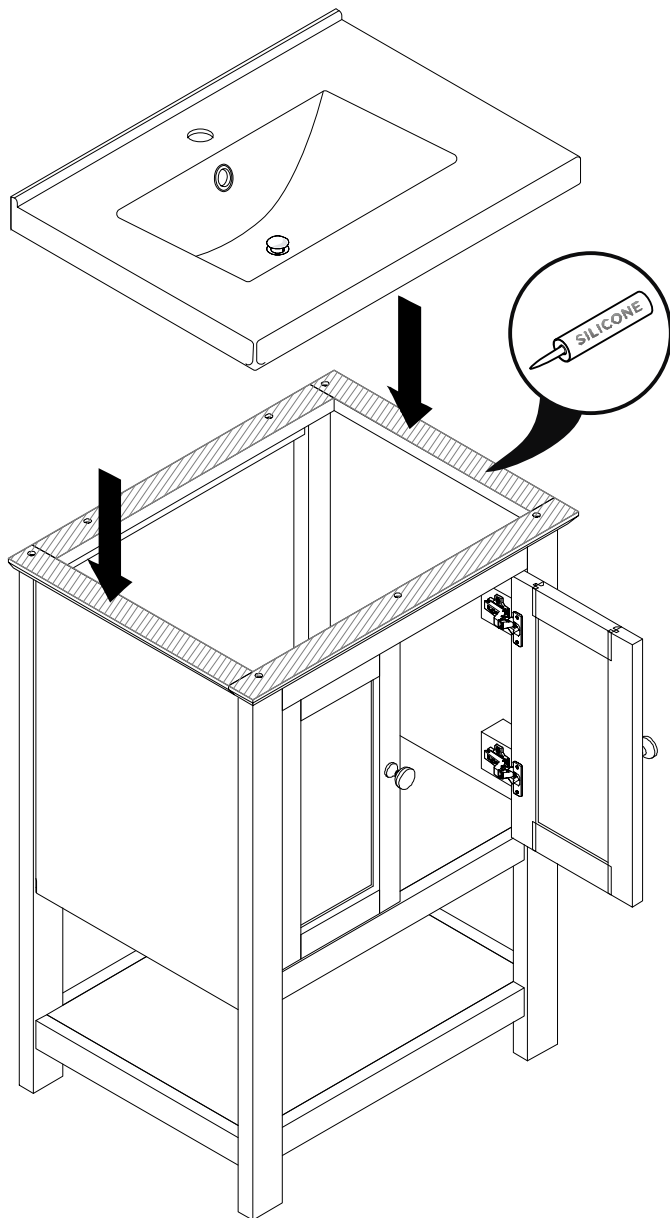
CABINET INSTALLATION

1 Attach the cabinet to the wall.



NOTE: Consult an expert for the proper screws/bolts to use when attaching to various constructions. Screws provided do not attach to all wall construction types. Anchors are not required if brackets are installed in stud.

2 Apply a bead of silicone on the top of the cabinet and place the sink on it.



kitchensource.com
1.800.667.8721



FCB2304-I

MANCHESTER

INSTALLATION GUIDE

PAGE 3

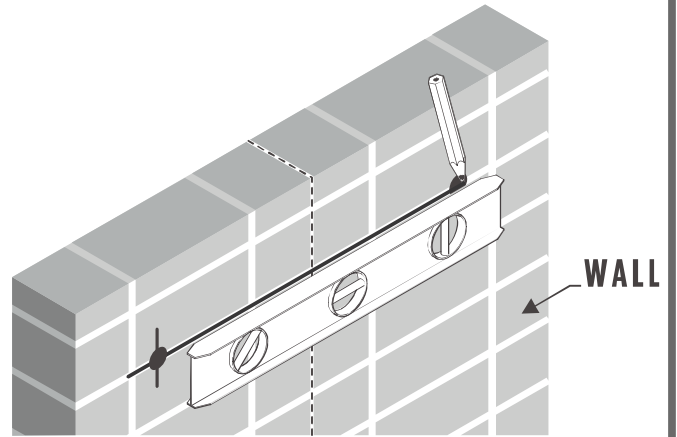
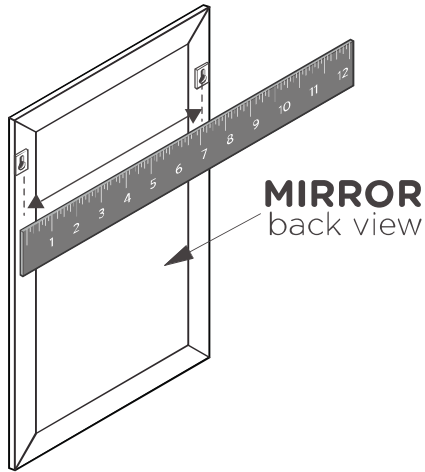
OPTIONAL MIRROR INSTALLATION

TOOLS FOR ASSEMBLY

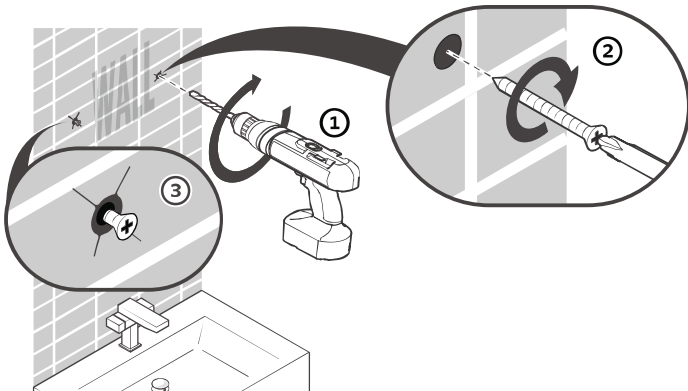


2 Mark the measured distance on the wall using a level

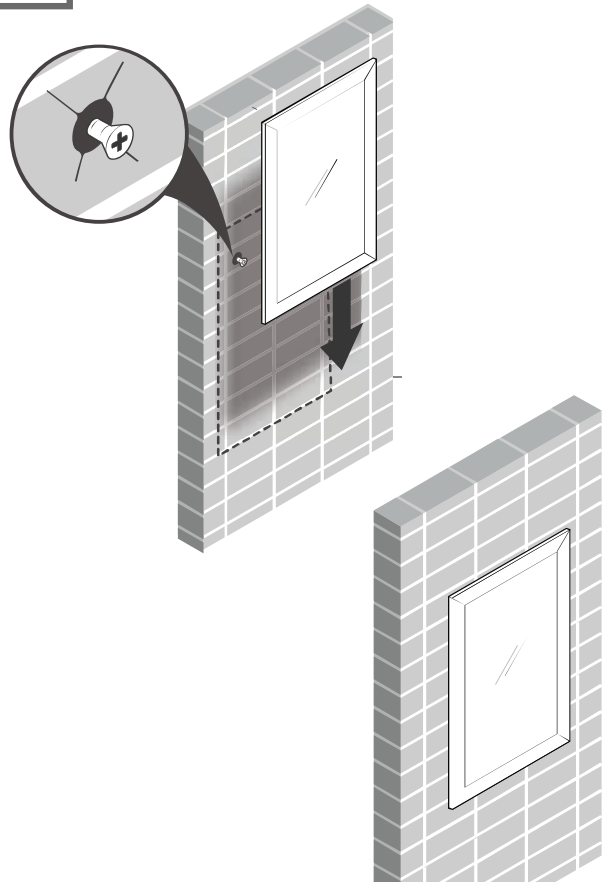
1 Measure the distance between the brackets on the back of the mirror



3 Once position is marked, drill 2 holes and insert anchors if stud is not available



4 Hang mirror on the wall



IMPORTANT:

CONSULT AN EXPERT FOR THE PROPER SCREWS/BOLTS TO USE WHEN ATTACHING TO VARIOUS WALL CONSTRUCTIONS. SCREWS PROVIDED **DO NOT ATTACH** TO ALL WALL CONSTRUCTION TYPES.

kitchensource.com
1.800.667.8721



FCB2304-I

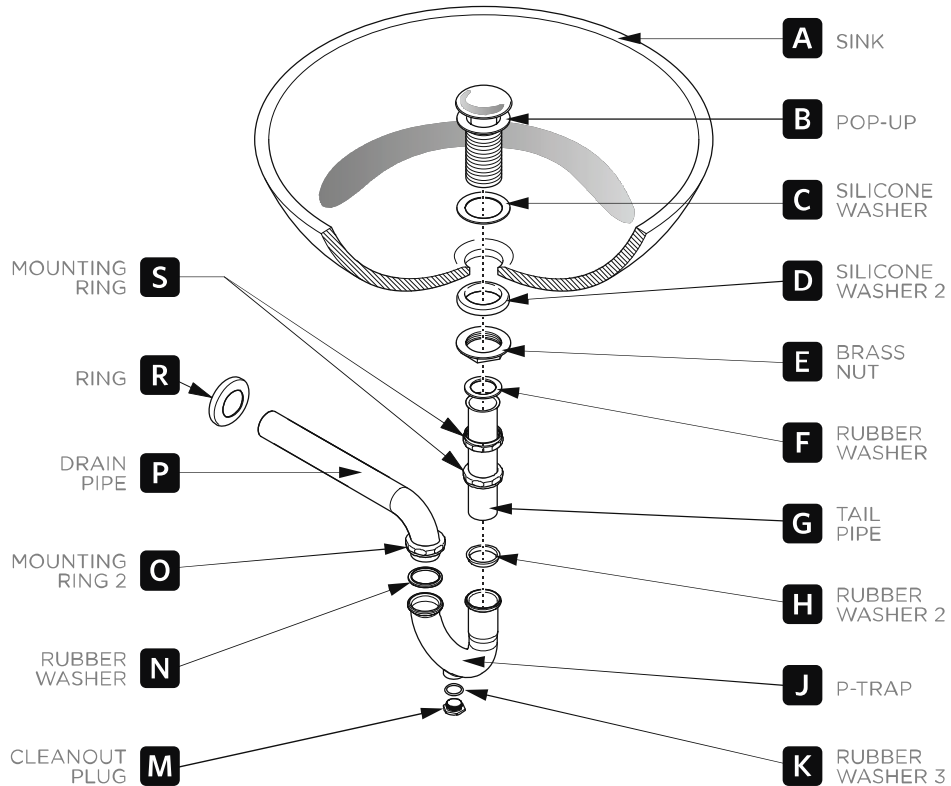
MANCHESTER

INSTALLATION GUIDE

PAGE 4

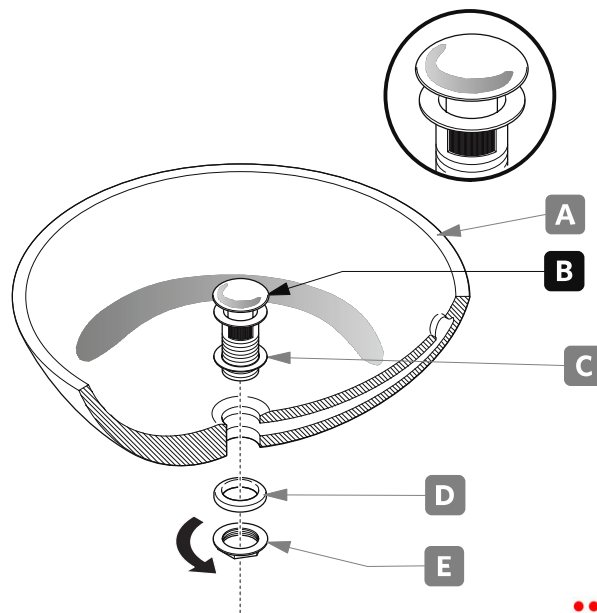
INSTALLATION INSTRUCTIONS

Your item may appear slightly different from the illustration.



POP-UP INSTALLATION

FOR SINKS
WITH OVERFLOW



kitchensource.com
1.800.667.8721



FCB2304-I

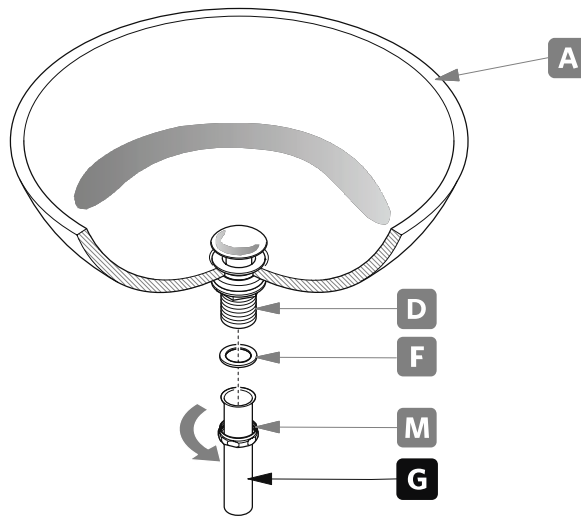
MANCHESTER

INSTALLATION GUIDE

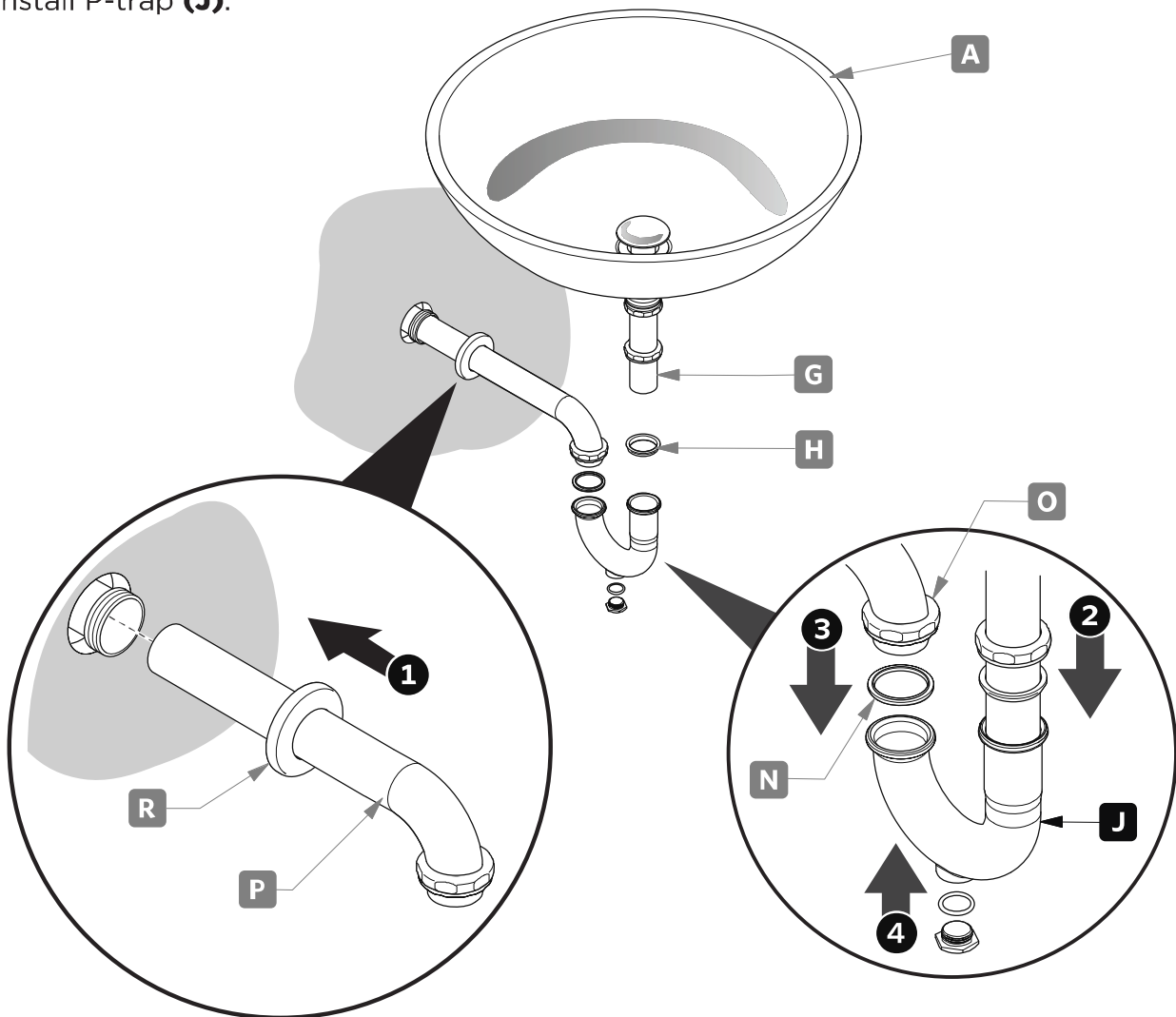
PAGE 5

OPTIONAL P-TRAP INSTALLATION

1 Install tail pipe (G).



2 Install P-trap (J).



kitchensource.com
1.800.667.8721



FCB2304-I

MANCHESTER

INSTALLATION GUIDE

PAGE 6