

Vanity Cleaning & Care Guide

What kind of products should be used for glass tops?

Any cleaning solutions that do not leave streaks.

What kind of products should be used for stone tops?

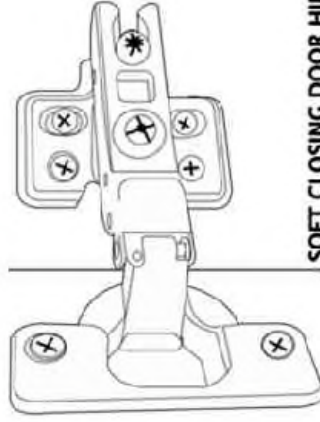
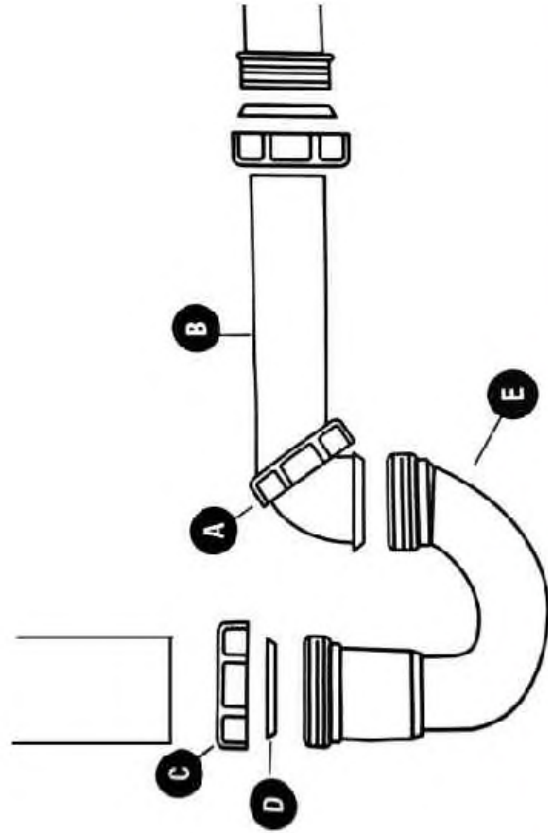
Any natural stone polish or cleaner can be used to wipe down the countertops.

What kind of products should be used for vanity cabinets?

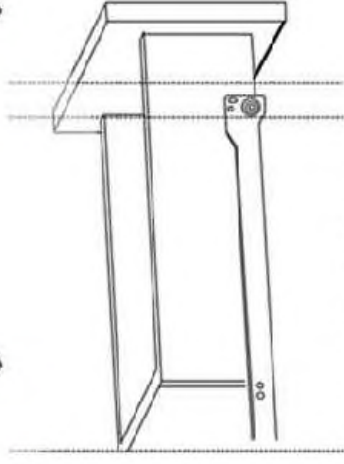
Any wood cleaning solution should be fine. (i.e. Pledge)

A - Nut **B** - Wall Tube **C** - Nut

D - Tailpiece **E** - J-Bend



SOFT CLOSING DOOR HINGE



SOFT CLOSING DRAWER SLIDES

SOFT CLOSING HINGES & SLIDES

All vanity cabinets stocked by TheTubConnection.com include soft closing door hinges and drawer slides.

What this means:

- Our hinges and drawer slides act as a buffer to slow your door or drawer down and finishes closing them gently. This keeps your drawers and doors from slamming shut, which greatly extends the life of your cabinet!
- These cleaning and maintenance tips will help keep your cabinet looking and working great for years to come.

GLASS TOPS/SINKS

- Use of gloves is highly recommended.
- Glass counter tops and sinks have a frosted coating on the bottom. DO NOT attempt to clean this off. Attempting to clean this can leave an uneven coating and disturbs the visual appeal.