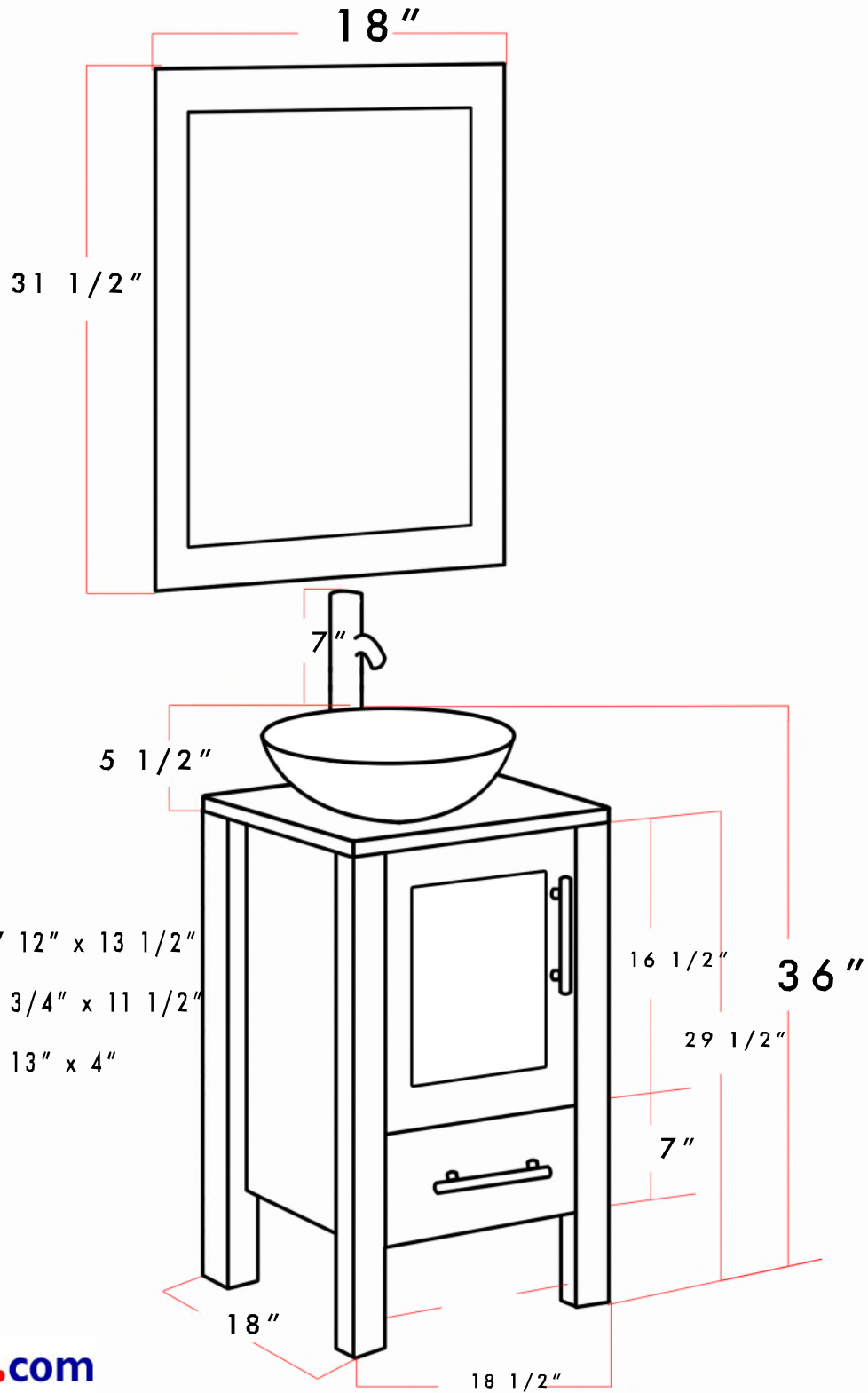


# CAMBRIDGE PLUMBING

+/- 1/2" Tolerance

## 8137B



\*Inside Cabinet 17 1/2" x 13 1/2"

\*Inside Drawer 10 3/4" x 11 1/2"

\*Inside Sink 17" x 13" x 4"