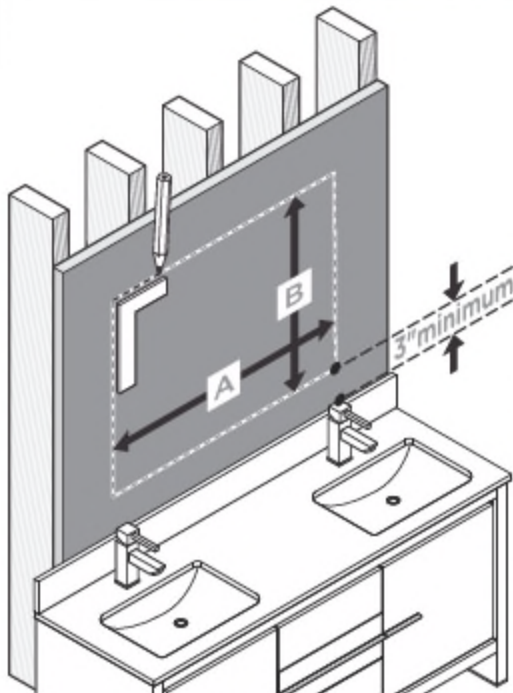


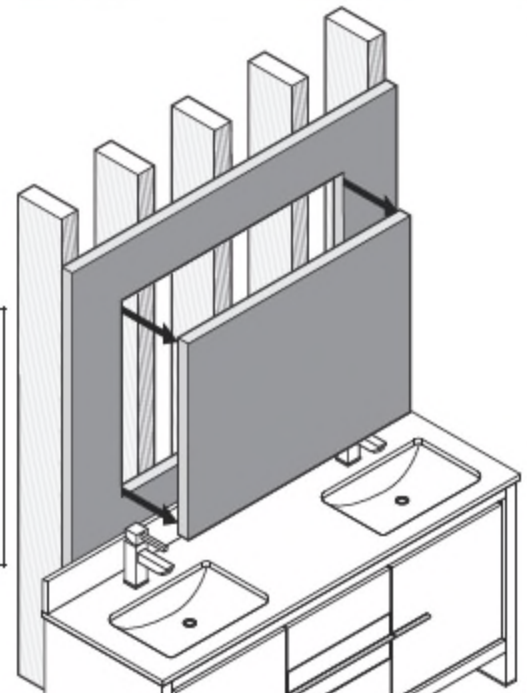
RECESS-MOUNT INSTALLATION

1



Draw the perimeter of the cabinet on the wall.

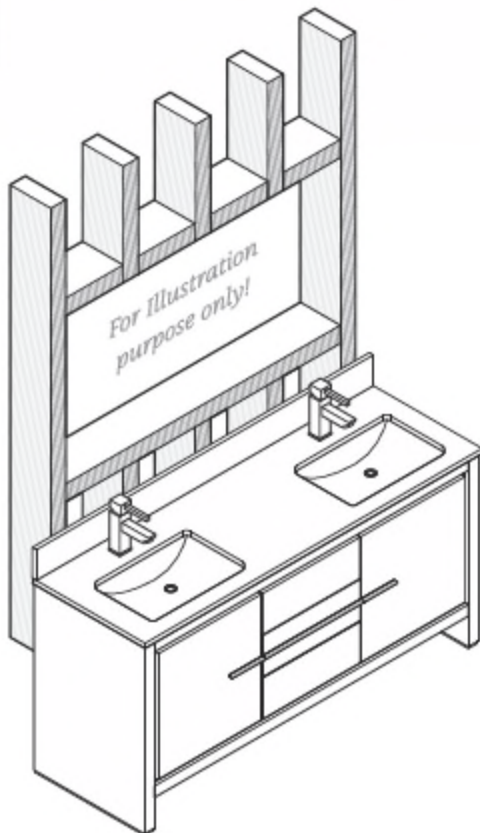
2



NOTE:
Determine overall medicine cabinet dimensions. If recessing medicine cabinet, determine rough in dimensions.

Cut the perimeter with appropriate tool.

3

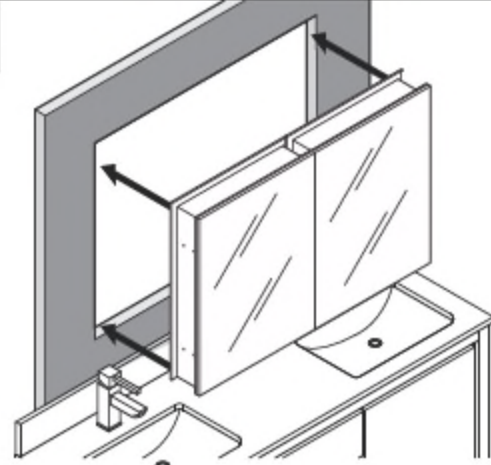


Frame the cutout opening.

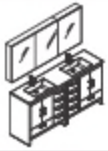
NOTE: Please consult with a licensed contractor for proper medicine cabinet framing.

ROUGH IN DIMENSIONS			
Model SKU	Width A	Height B	Depth
FMC8019	59.5"	26.0"	5.0"
FMC8013	49.5"	26.0"	5.0"

4

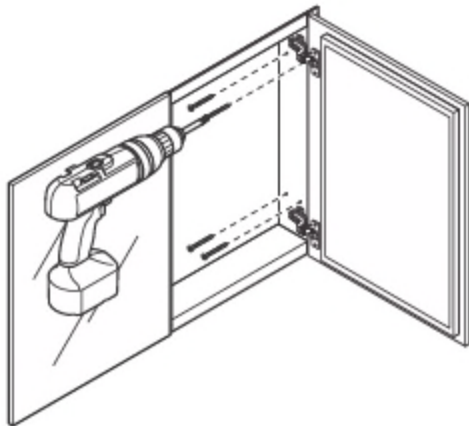


Insert the cabinet into the opening.



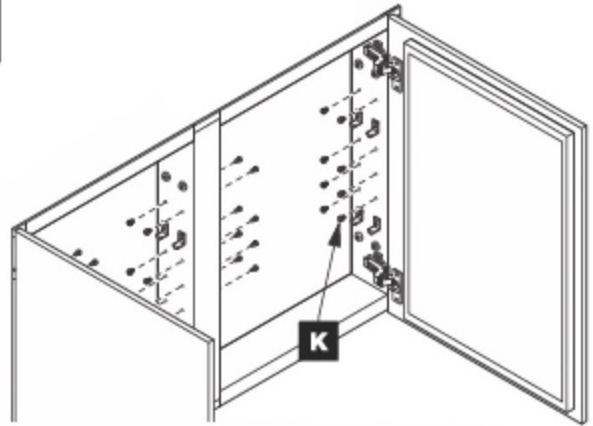
RECESS-MOUNT INSTALLATION

5



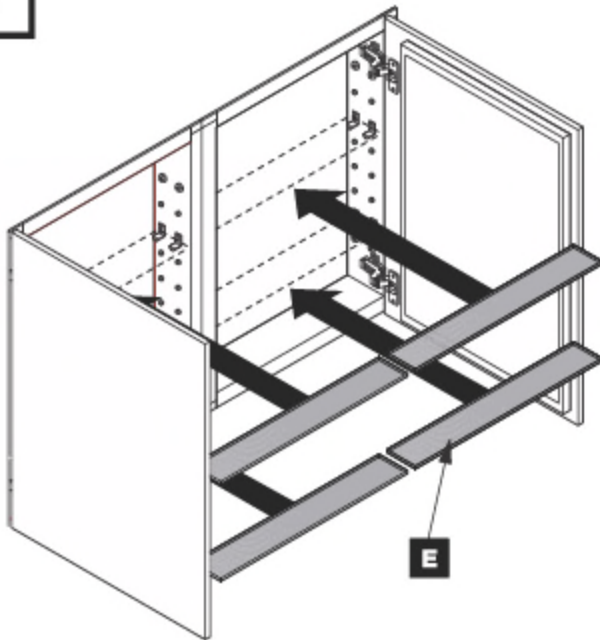
Attach cabinet to the wall from the each side.

6

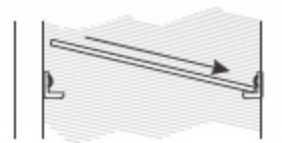


Fill the remaining holes with a plugs (K).

7

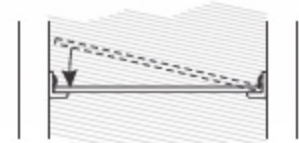


Insert the shelves (E). Follow the steps below for each shelf.



7.a

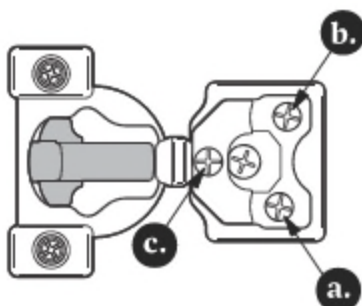
Push a side of the shelf (E) into left or shelf clips (J).



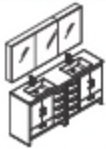
7.b

Snap the shelf (E) down into opposite side.

OPTIONAL DOOR ADJUSTMENT

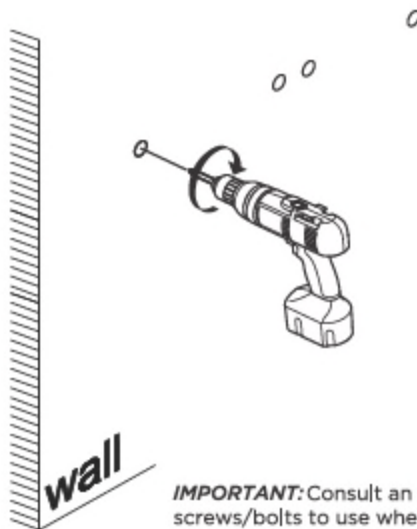


- a.** This screw allow you to adjust pitch side to side.
- b.** This screw releases cabinet's door and allows up and down adjustment.
- c.** This screw allow you to adjust the gap between the doors.



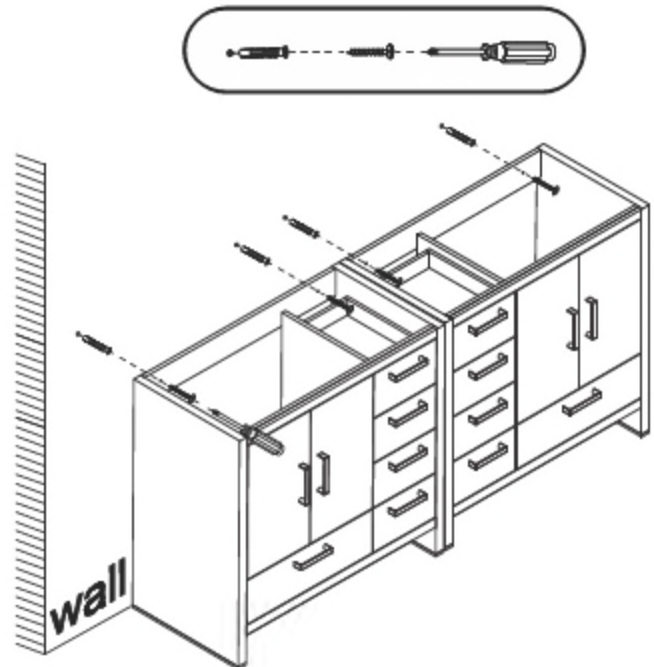
CABINET INSTALLATION

- 1** Drill holes and insert the dowels.

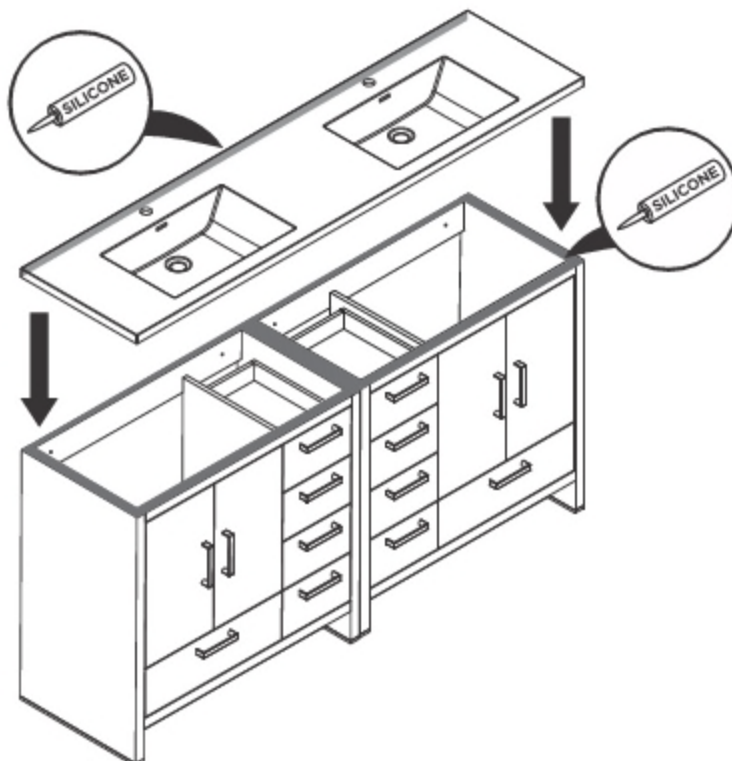


IMPORTANT: Consult an expert for the proper screws/bolts to use when attaching to various constructions. Screws provided do not attach to all wall construction types. Anchors are not required if brackets are installed in stud.

- 2** Mark anchor mounting hole locations on wall as shown. Drill holes in the finished wall as required.



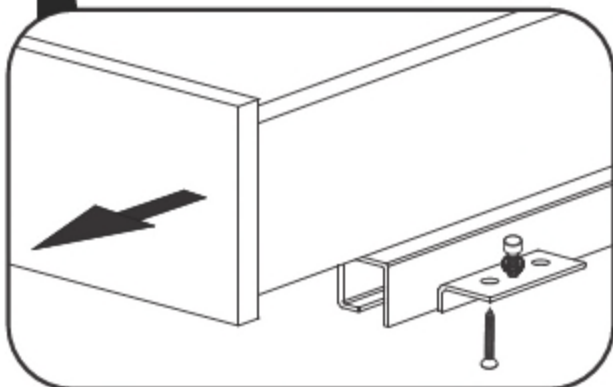
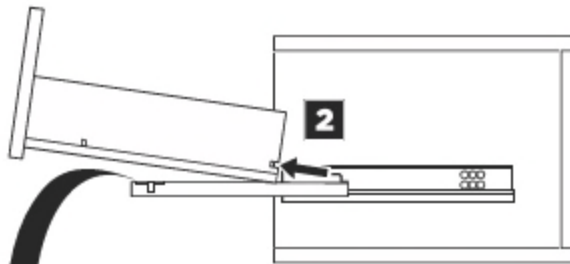
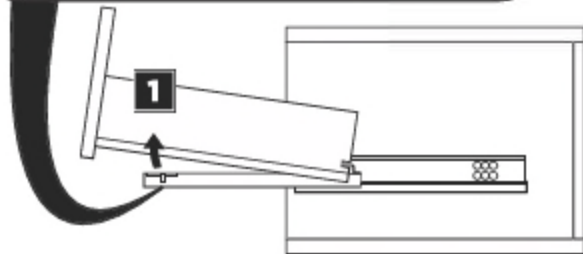
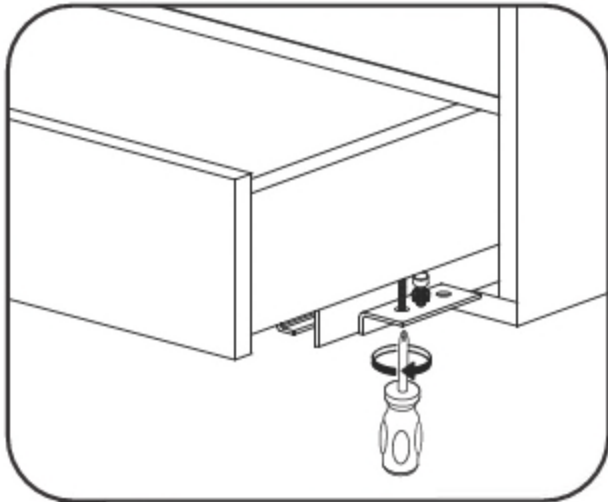
- 3** Apply silicone and install sink.



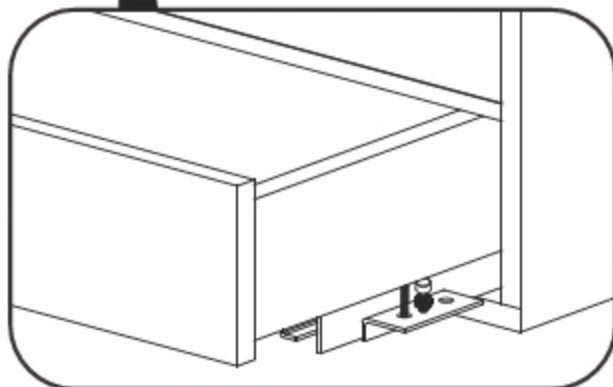
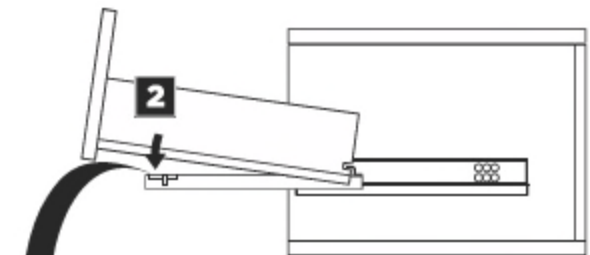
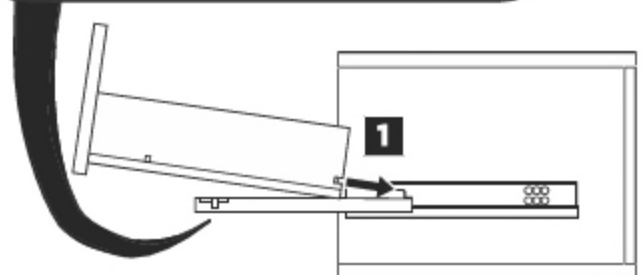
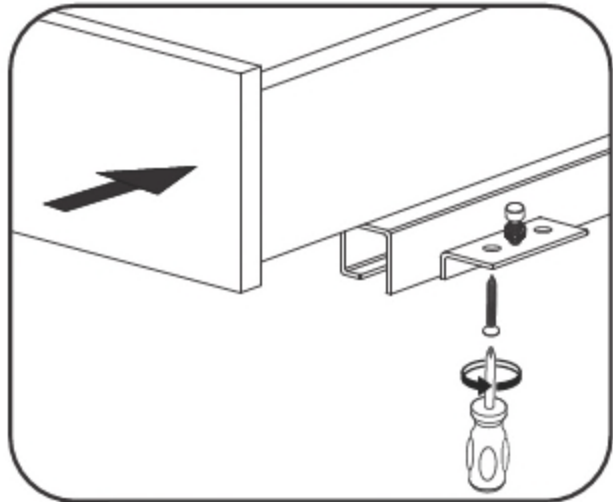


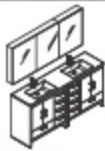
DRAWER REMOVAL & INSTALLATION

REMOVAL



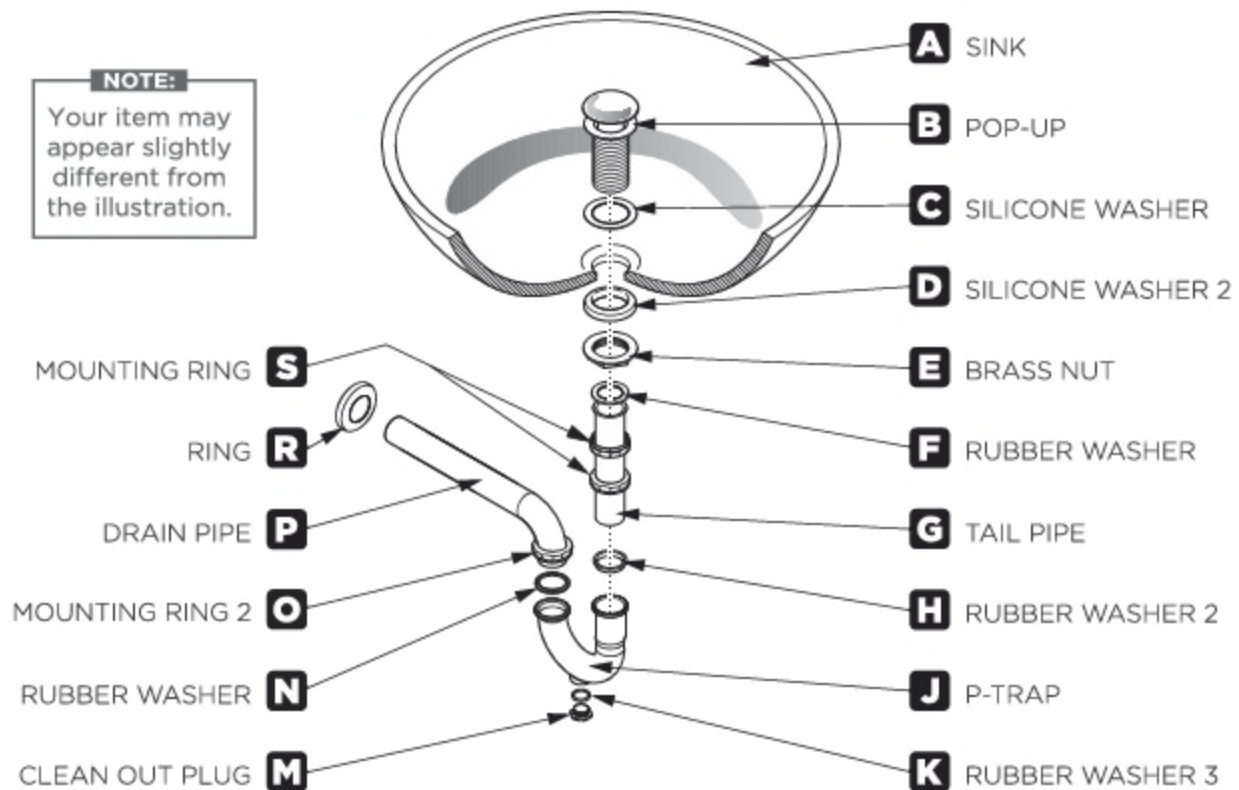
INSTALLATION





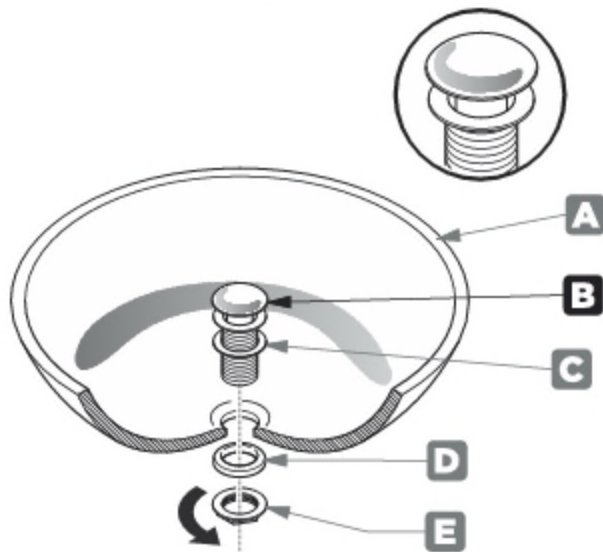
P-TRAP AND POP-UP INSTALLATION INSTRUCTIONS

NOTE:
Your item may appear slightly different from the illustration.



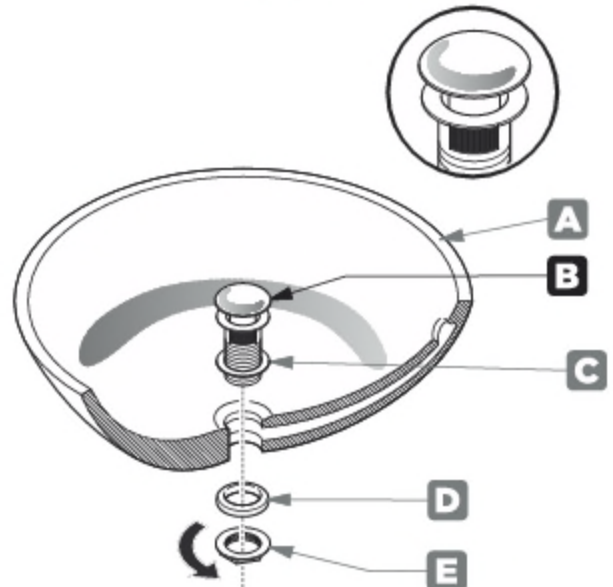
POP-UP INSTALLATION INSTRUCTIONS

FOR SINKS WITHOUT OVERFLOW



OR

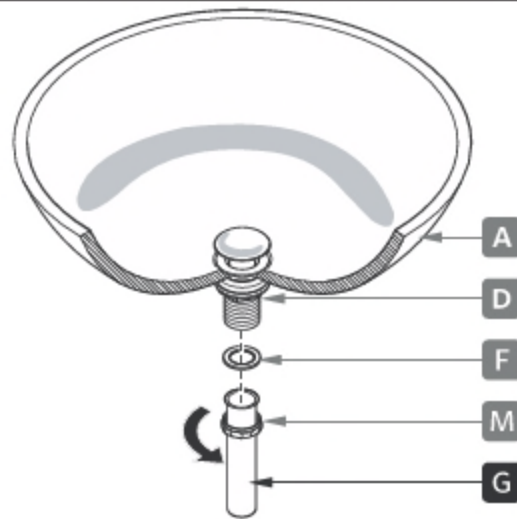
FOR SINKS WITH OVERFLOW





P-TRAP INSTALLATION

- 1** Install tail pipe (G)



- 2** Install p-trap (J)

