



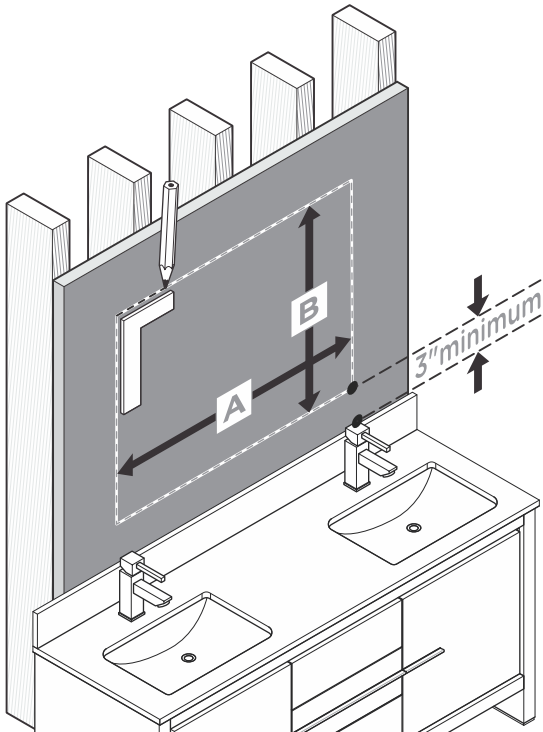
FVN9460-S SENZA INSTALLATION GUIDE

kitchensource.com
1.800.667.8721



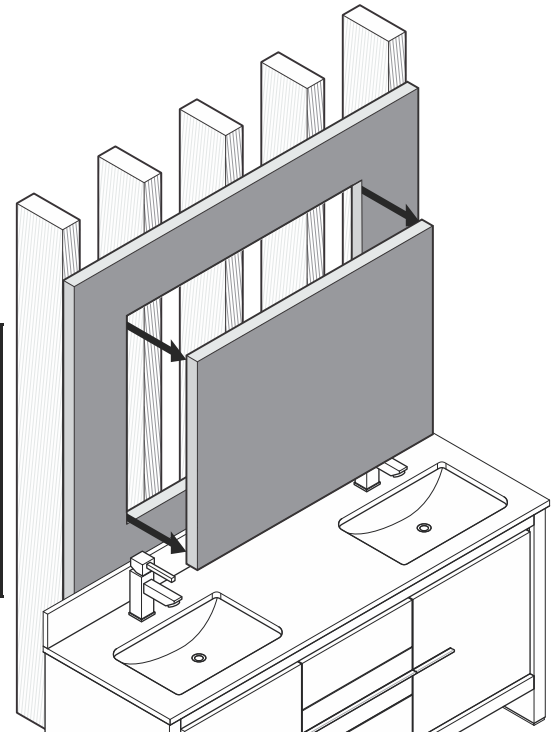
RECESS-MOUNT INSTALLATION

1



Draw the perimeter of the cabinet on the wall.

2



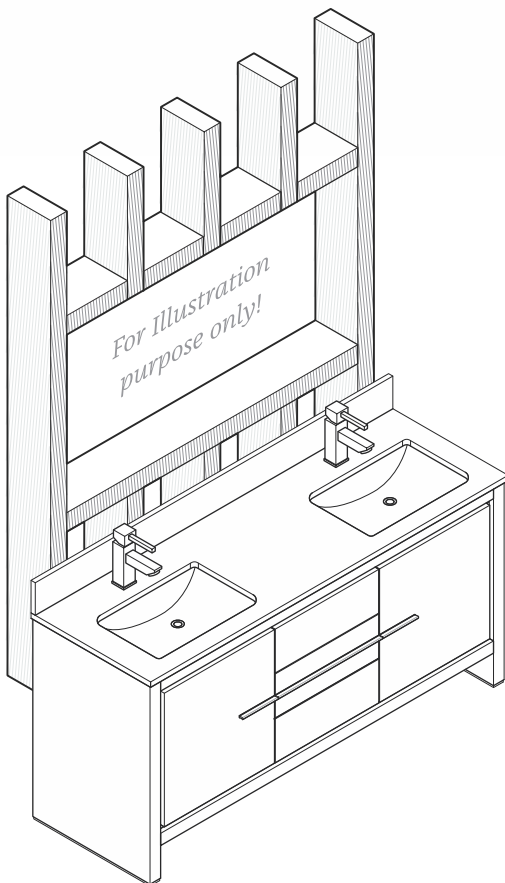
Cut the perimeter with appropriate tool.



NOTE:

Determine overall medicine cabinet dimensions. If recessing medicine cabinet, determine rough in dimensions.

3



Frame the cutout opening.



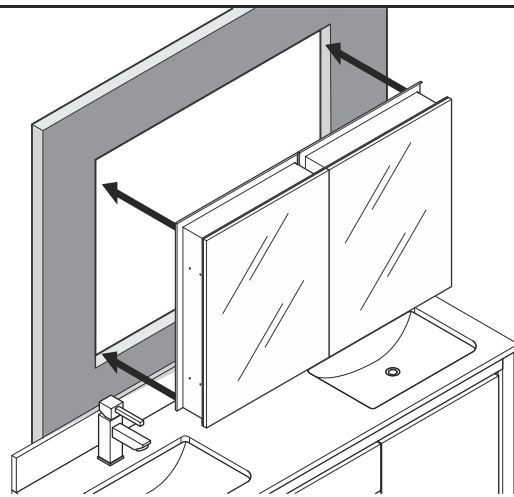
NOTE:

Please consult with a licensed contractor for proper medicine cabinet framing.

ROUGH IN DIMENSIONS

Model SKU	Width A	Height B	Depth
FMC8019	59.5"	26"	5"
FMC8013	49.5"	26"	5"

4



Insert the cabinet into the opening.



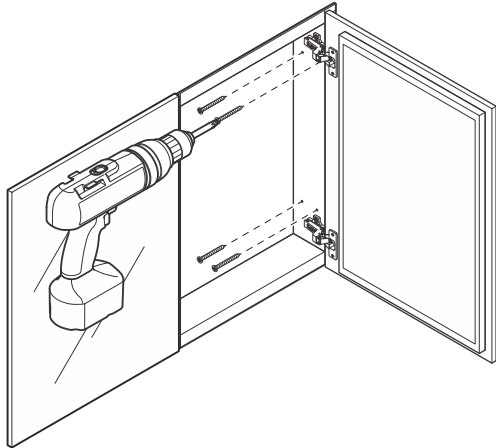
FVN9460-S
SENZA
INSTALLATION GUIDE

|||kitchensource.com
1.800.667.8721



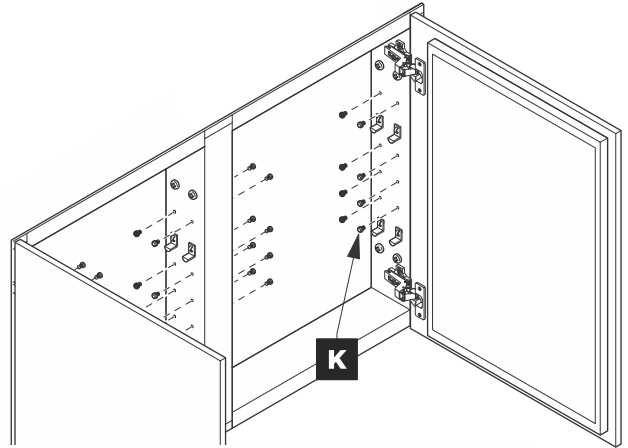
RECESS-MOUNT INSTALLATION

5



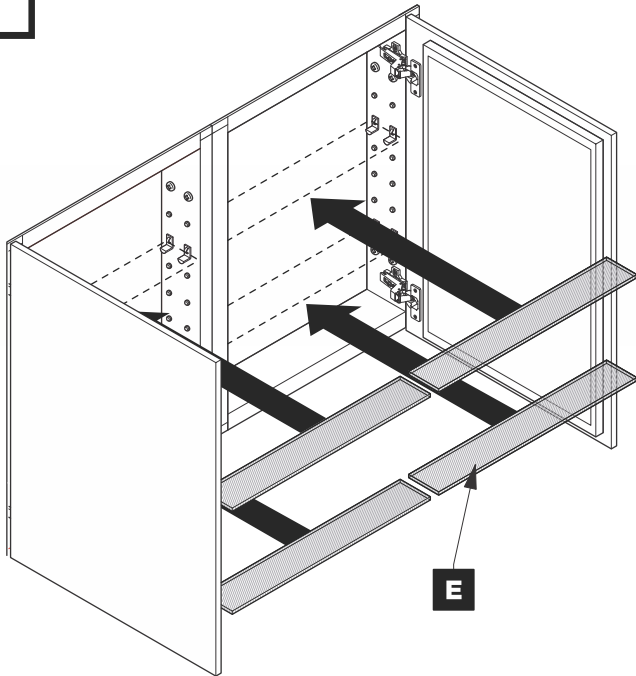
Attach cabinet to the wall from the each side.

6

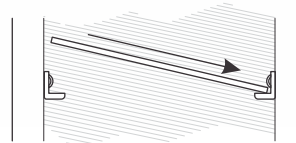


Fill the remaining holes with a plugs (**K**).

7

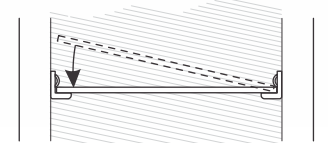


Insert the shelves (**E**). Follow the steps below for each shelf.



7.a

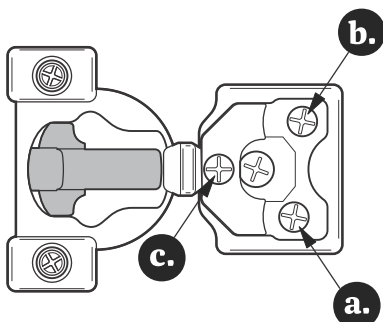
Push a side of the shelf (**E**) into left or shelf clips (**J**).



7.b

Snap the shelf (**E**) down into opposite side.

OPTIONAL DOOR ADJUSTMENT



- a.** This screw allow you to adjust pitch side to side.
- b.** This screw releases cabinet's door and allows up and down adjustment.
- c.** This screw allow you to adjust the gap between the doors.



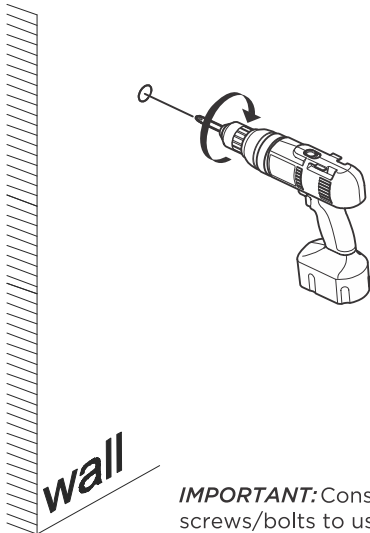
FVN9460-S SENZA INSTALLATION GUIDE

kitchen**source**.com
1.800.667.8721



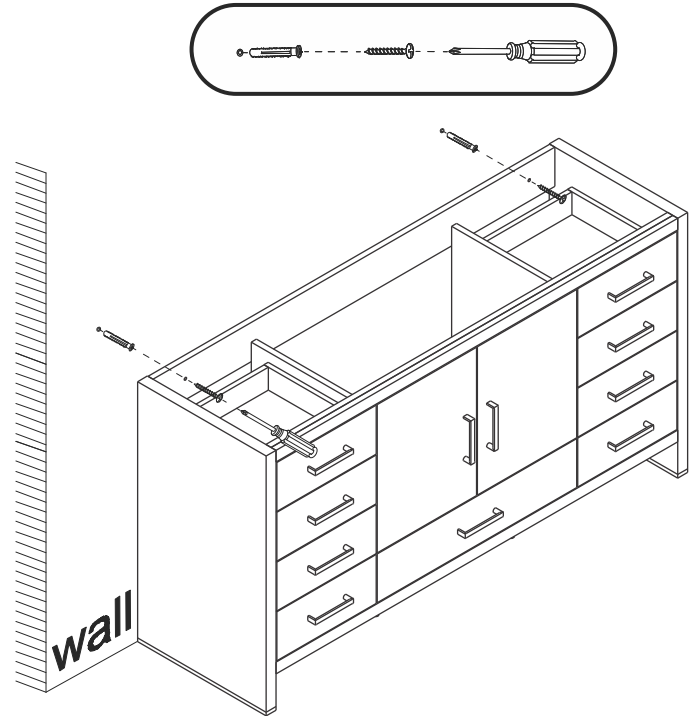
CABINET INSTALLATION

1 Drill holes and insert the dowels.

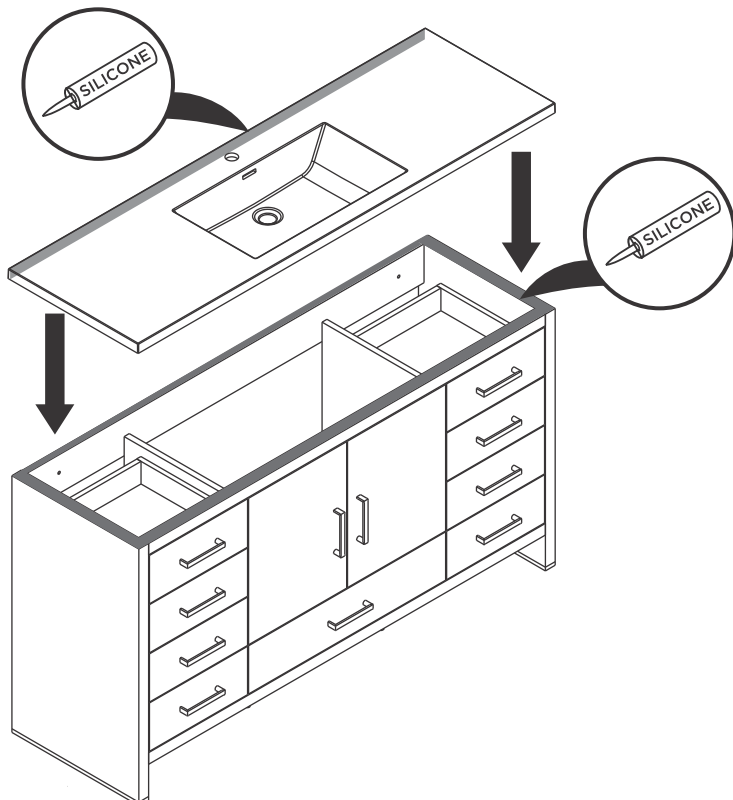


IMPORTANT: Consult an expert for the proper screws/bolts to use when attaching to various constructions. Screws provided do not attach to all wall construction types. Anchors are not required if brackets are installed in stud.

2 Mark anchor mounting hole locations on wall as shown. Drill holes in the finished wall as required.



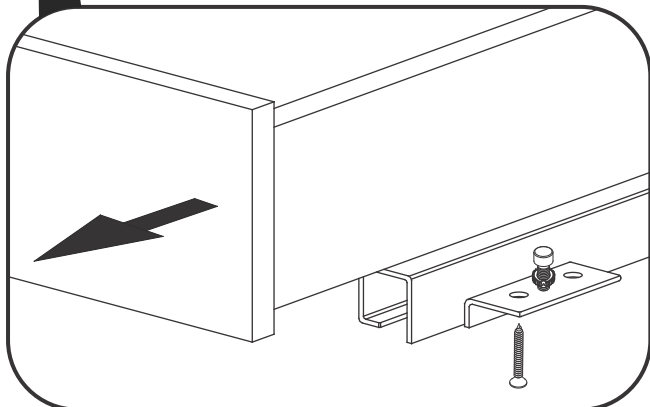
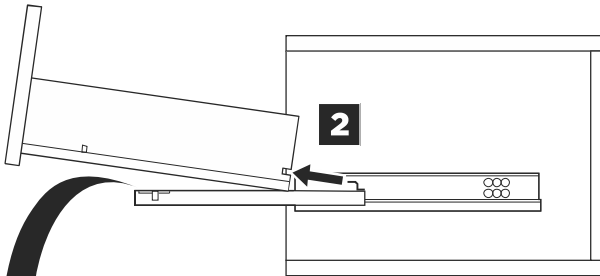
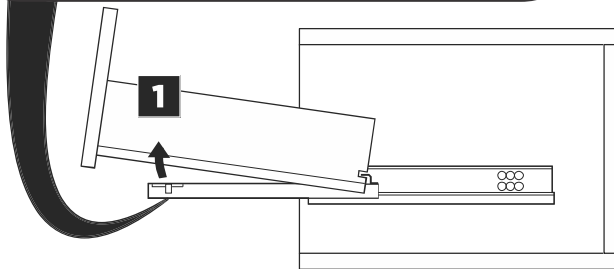
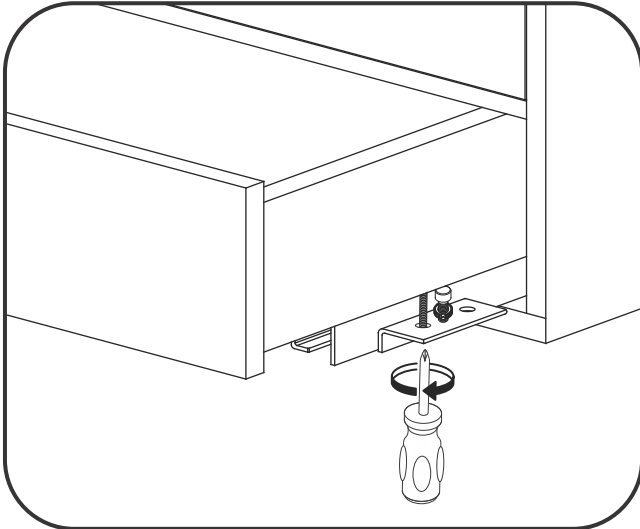
3 Apply silicone and install sink.



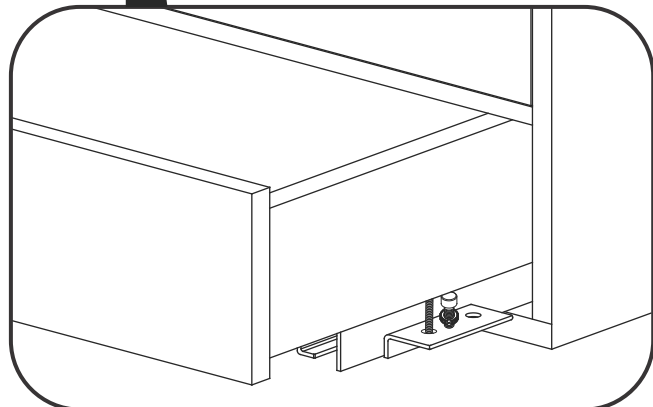
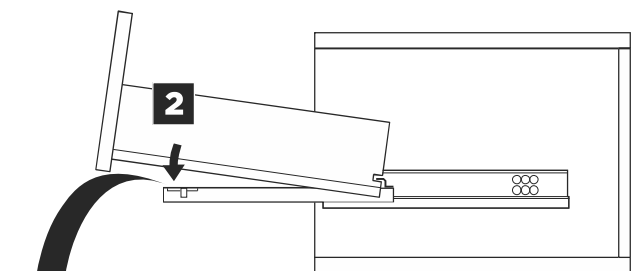
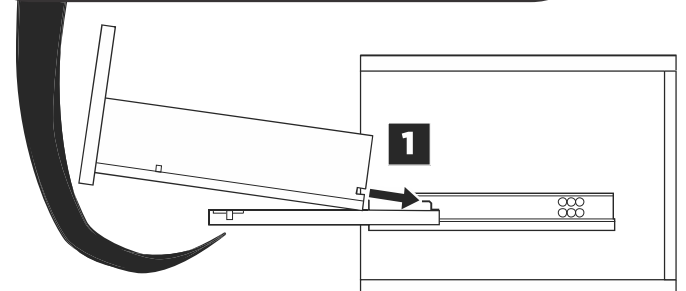
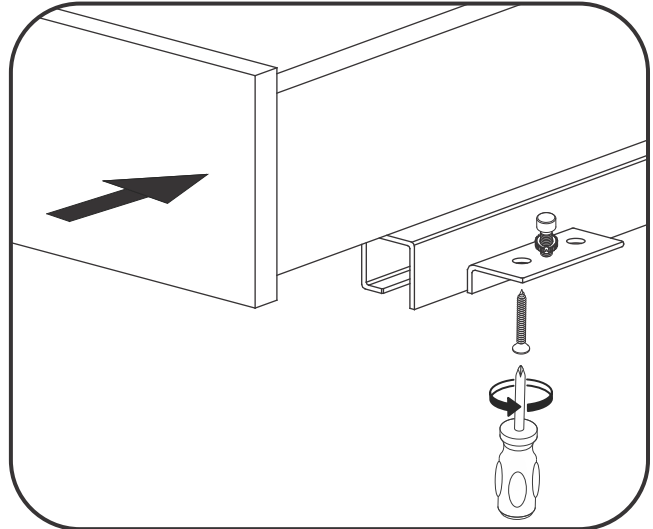


DRAWER REMOVAL & INSTALLATION

REMOVAL



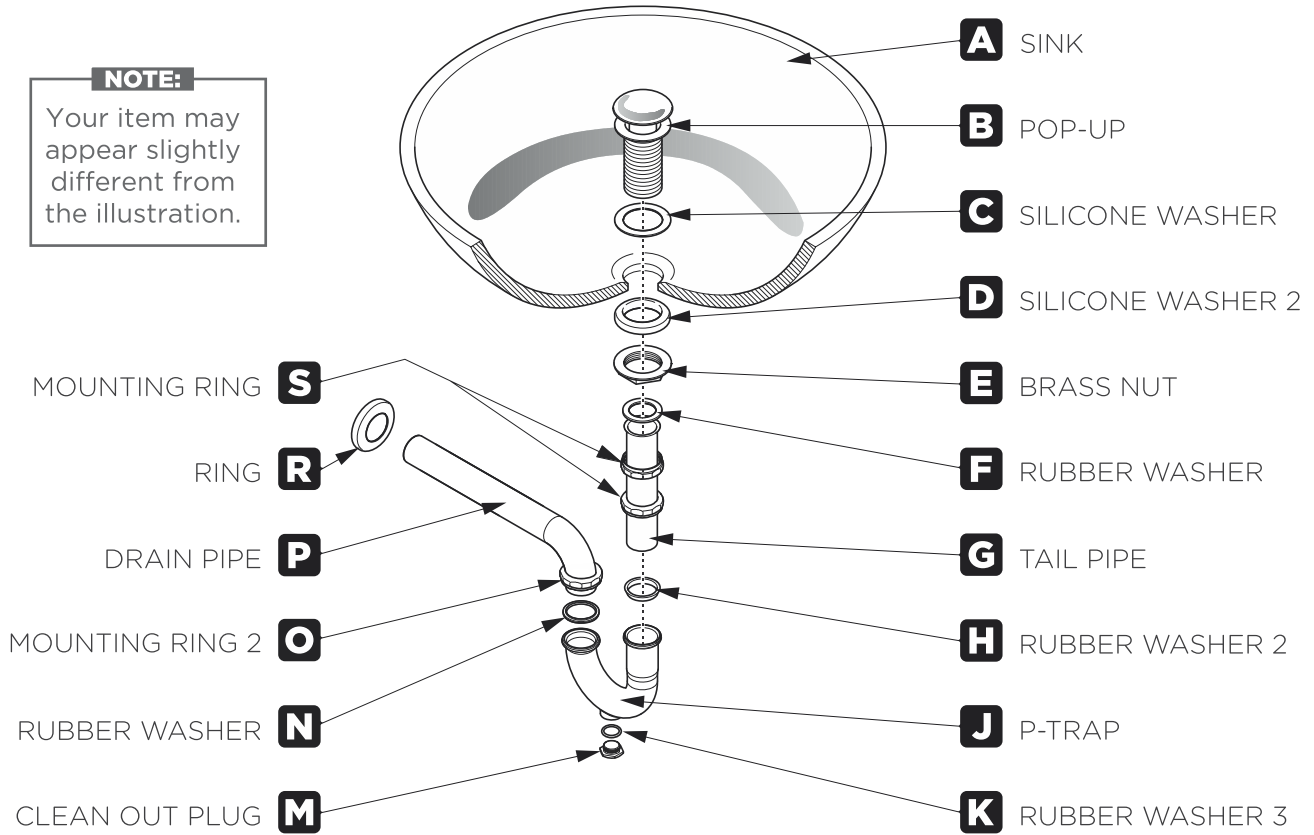
INSTALLATION





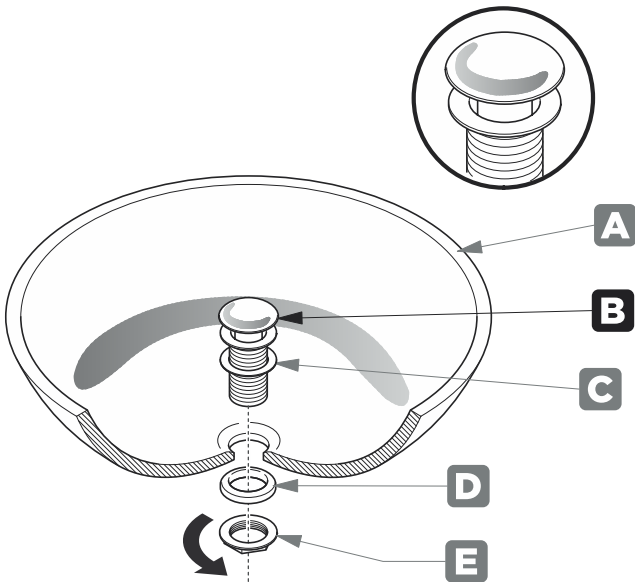
P-TRAP AND POP-UP INSTALLATION INSTRUCTIONS

NOTE:
Your item may appear slightly different from the illustration.



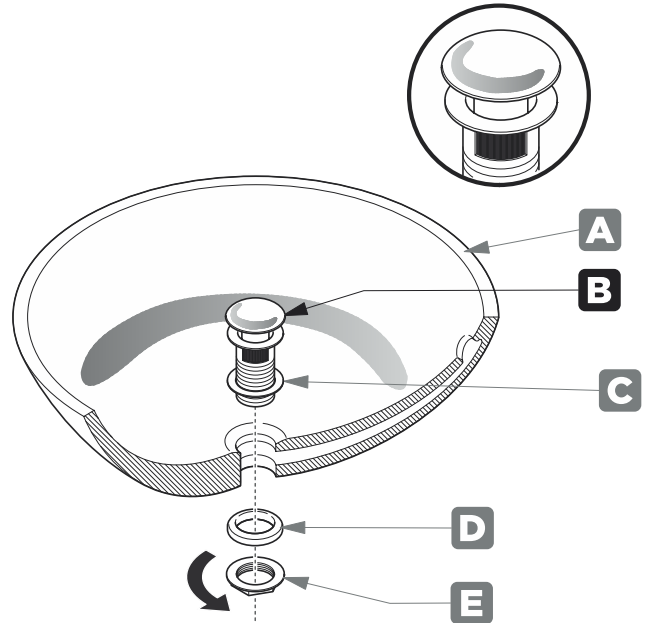
POP-UP INSTALLATION INSTRUCTIONS

FOR SINKS WITHOUT OVERFLOW



OR

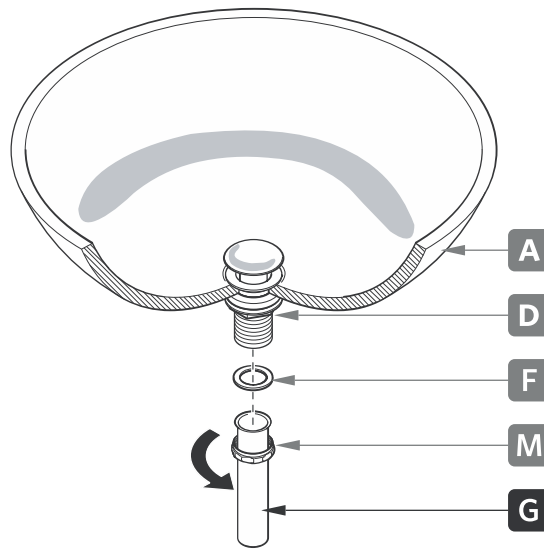
FOR SINKS WITH OVERFLOW





P-TRAP INSTALLATION

1 Install tail pipe (G)



2 Install p-trap (J)

