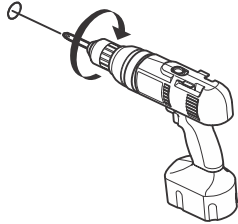


FVN9430 SENZA INSTALLATION GUIDE

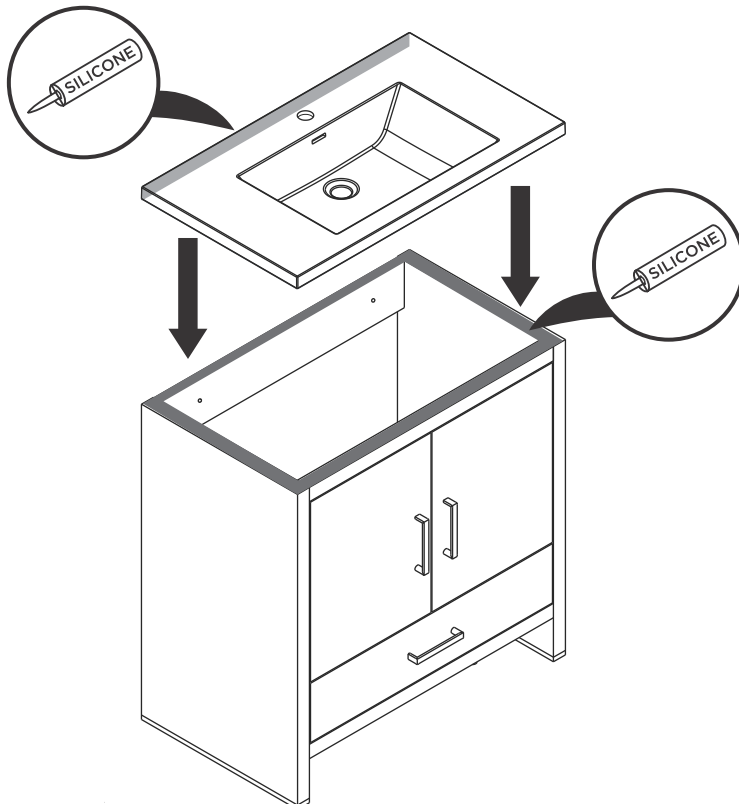
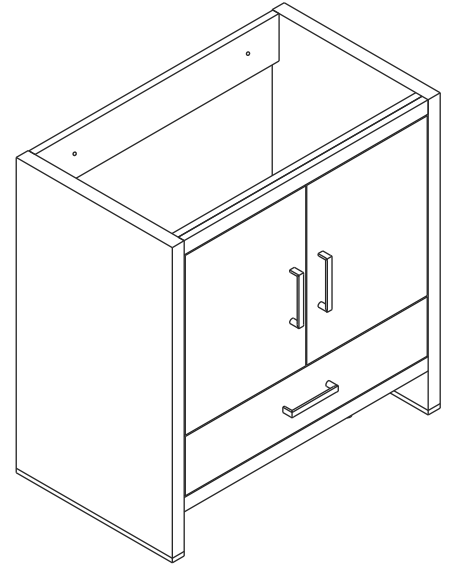
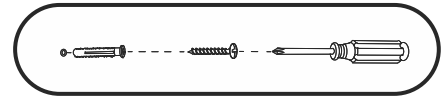
●●kitchensource.com
☎ 1.800.667.8721

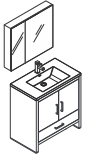


CABINET INSTALLATION



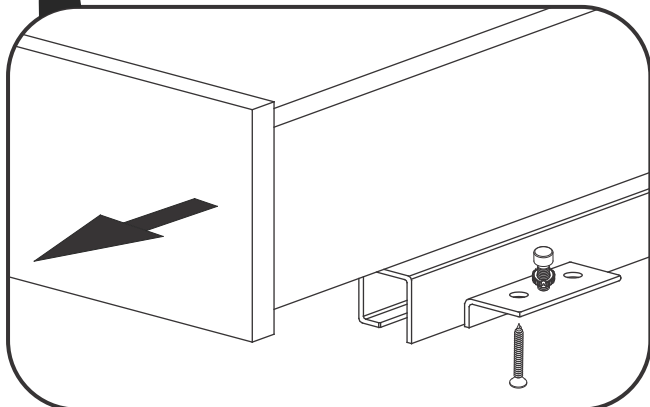
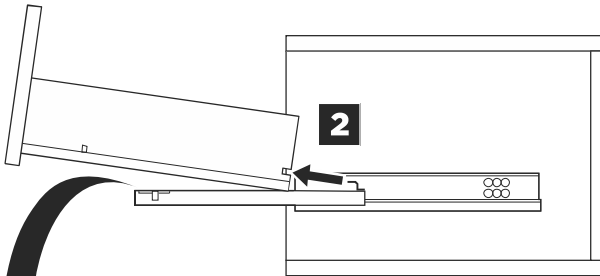
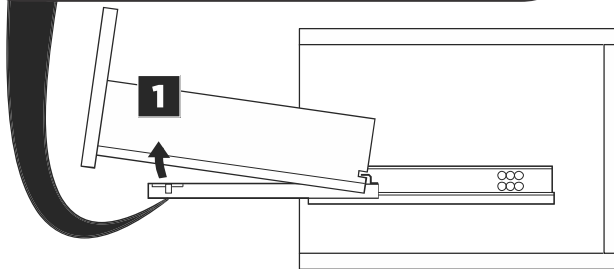
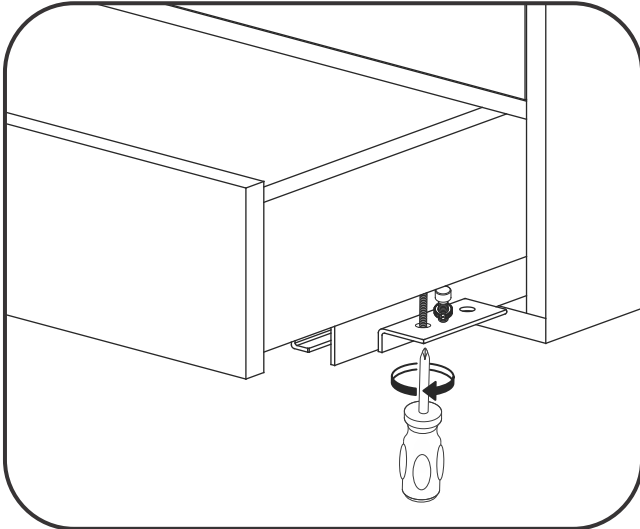
IMPORTANT: Consult an expert for the proper screws/bolts to use when attaching to various constructions. Screws provided do not attach to all wall construction types. Anchors are not required if brackets are installed in stud.



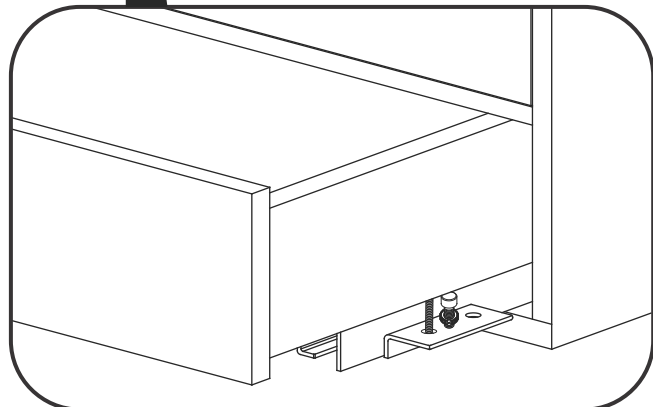
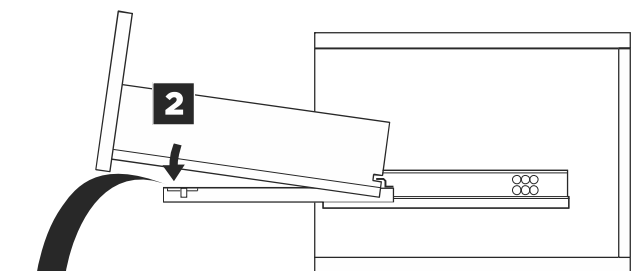
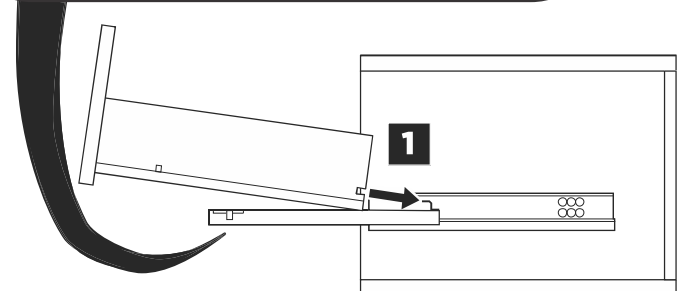
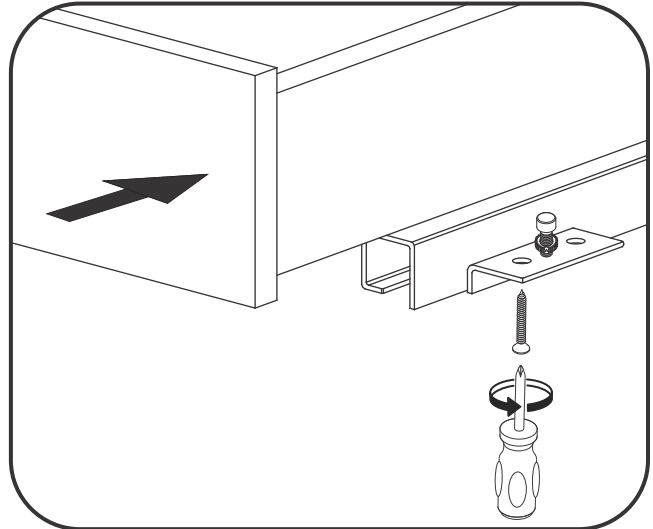


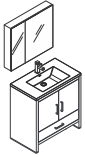
DRAWER REMOVAL & INSTALLATION

REMOVAL



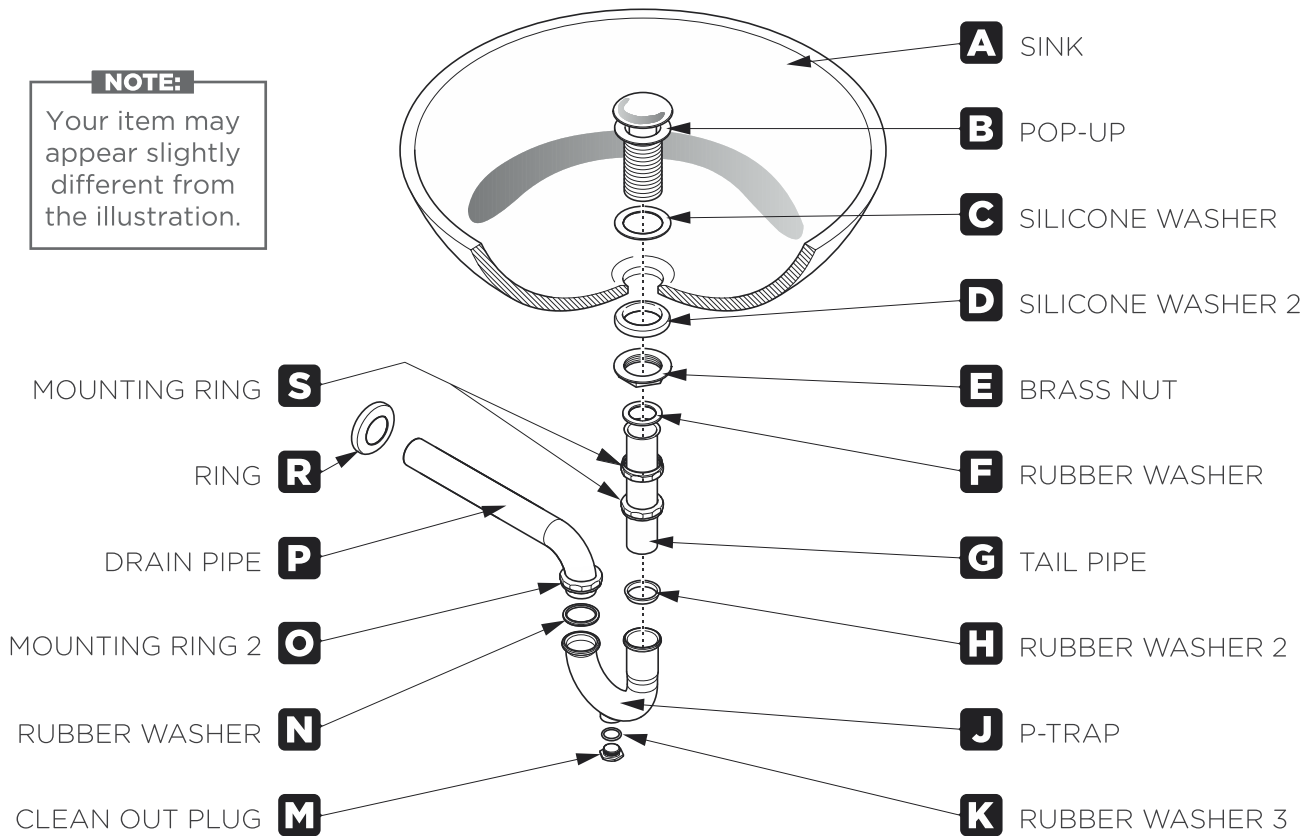
INSTALLATION





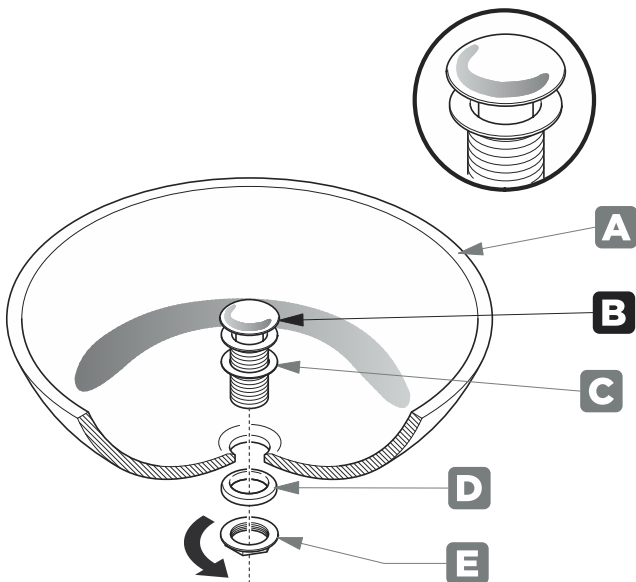
P-TRAP AND POP-UP INSTALLATION INSTRUCTIONS

NOTE:
Your item may appear slightly different from the illustration.



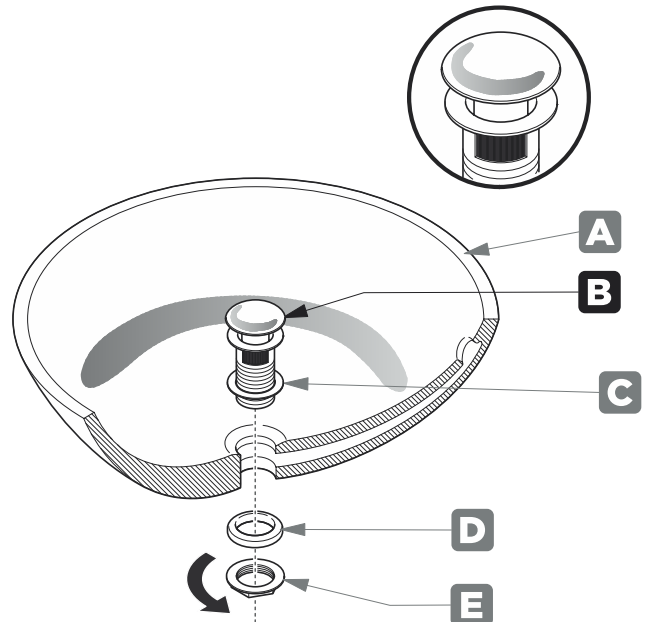
POP-UP INSTALLATION INSTRUCTIONS

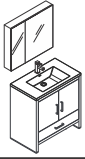
FOR SINKS WITHOUT OVERFLOW



OR

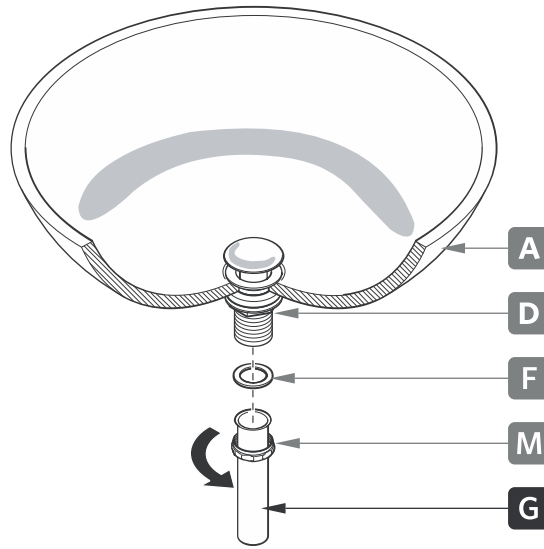
FOR SINKS WITH OVERFLOW





P-TRAP INSTALLATION

1 Install tail pipe (G)



2 Install p-trap (J)

