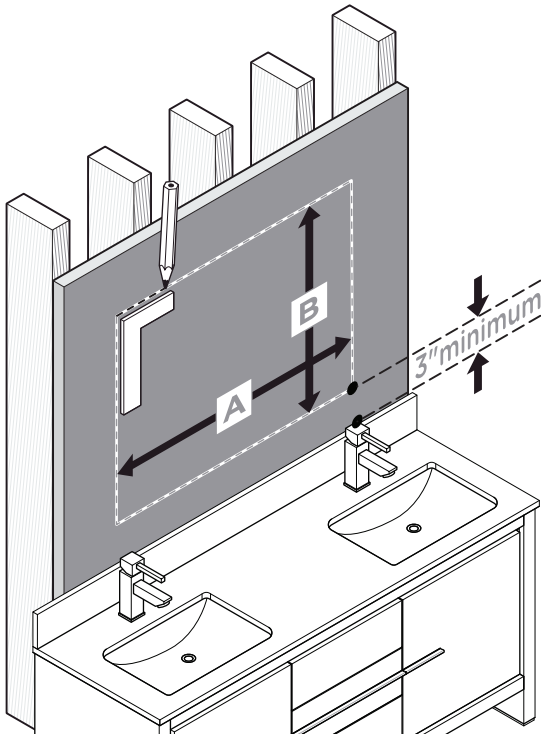


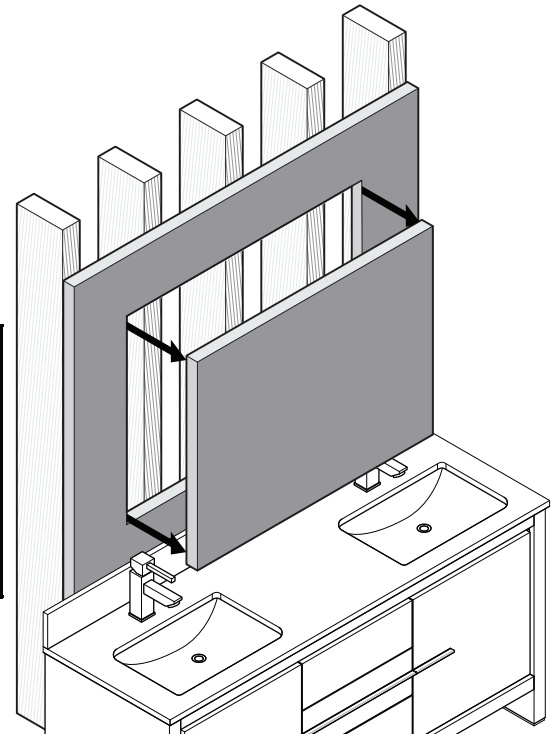
RECESS-MOUNT INSTALLATION

1



Draw the perimeter of the cabinet on the wall.

2

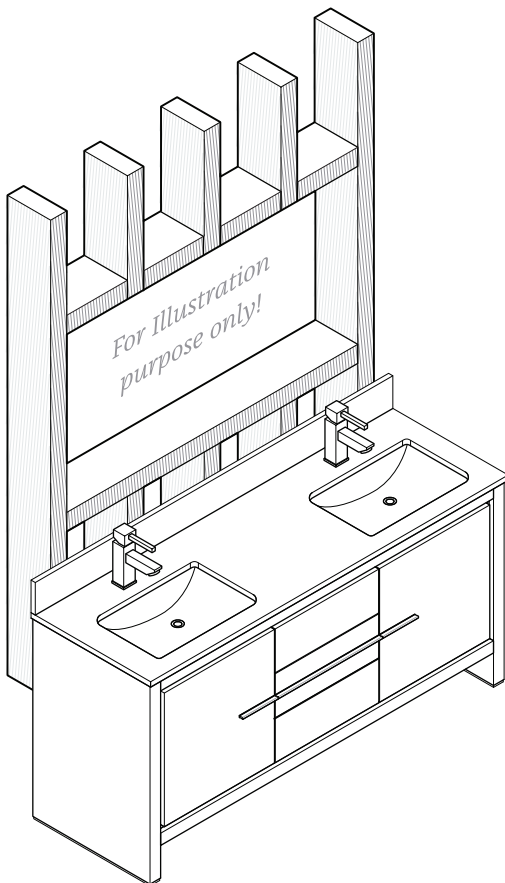


Cut the perimeter with appropriate tool.

NOTE:

Determine overall medicine cabinet dimensions. If recessing medicine cabinet, determine rough in dimensions.

3



Frame the cutout opening.

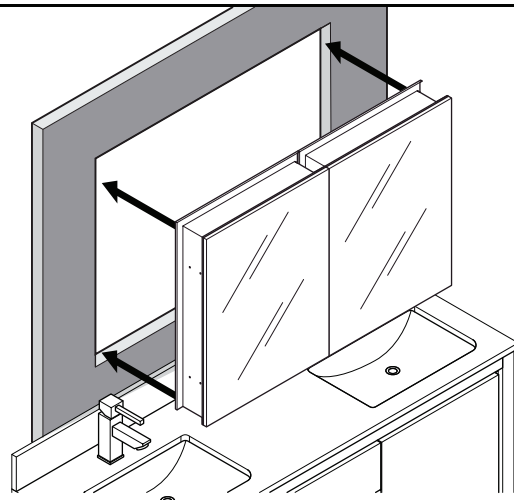
NOTE:

Please consult with a licensed contractor for proper medicine cabinet framing.

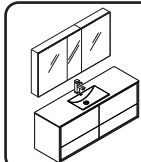
ROUGH IN DIMENSIONS

Model SKU	Width A	Height B	Depth
FMC8019	59.5"	26"	5"
FMC8013	49.5"	26"	5"

4

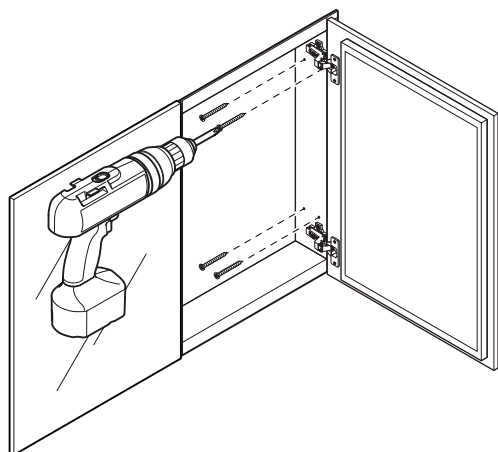


Insert the cabinet into the opening.



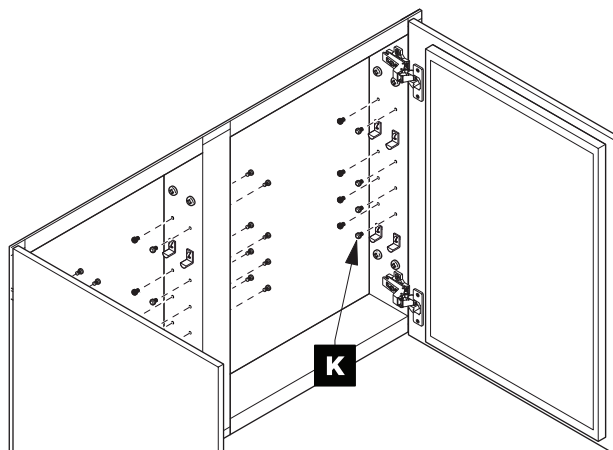
RECESS-MOUNT INSTALLATION

5



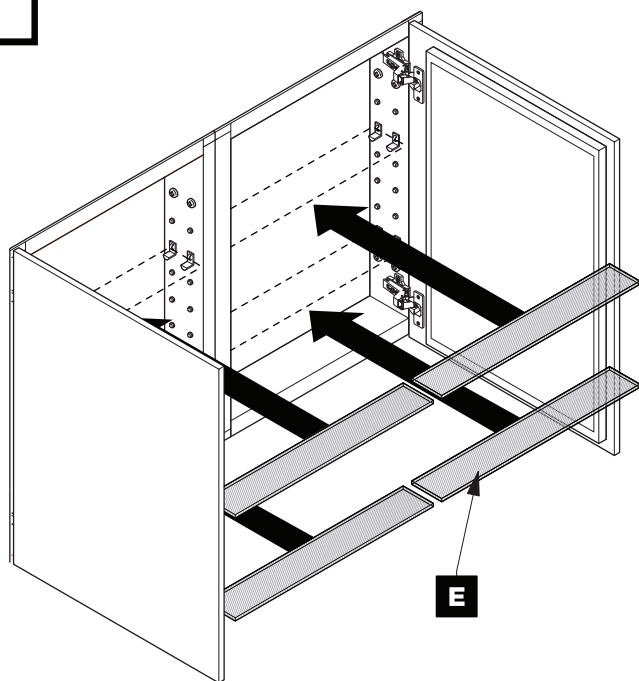
Attach cabinet to the wall from the each side.

6

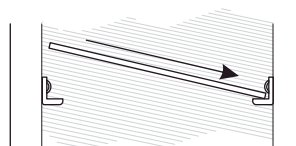


Fill the remaining holes with a plugs (**K**).

7

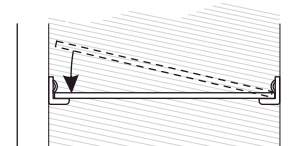


Insert the shelves (**E**). Follow the steps below for each shelf.



7.a

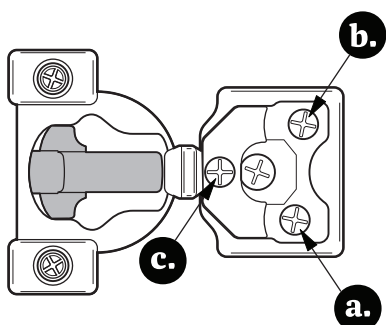
Push a side of the shelf (**E**) into left or shelf clips (**J**).



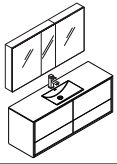
7.b

Snap the shelf (**E**) down into opposite side.

OPTIONAL DOOR ADJUSTMENT



- a.** This screw allow you to adjust pitch side to side.
- b.** This screw releases cabinet's door and allows up and down adjustment.
- c.** This screw allow you to adjust the gap between the doors.



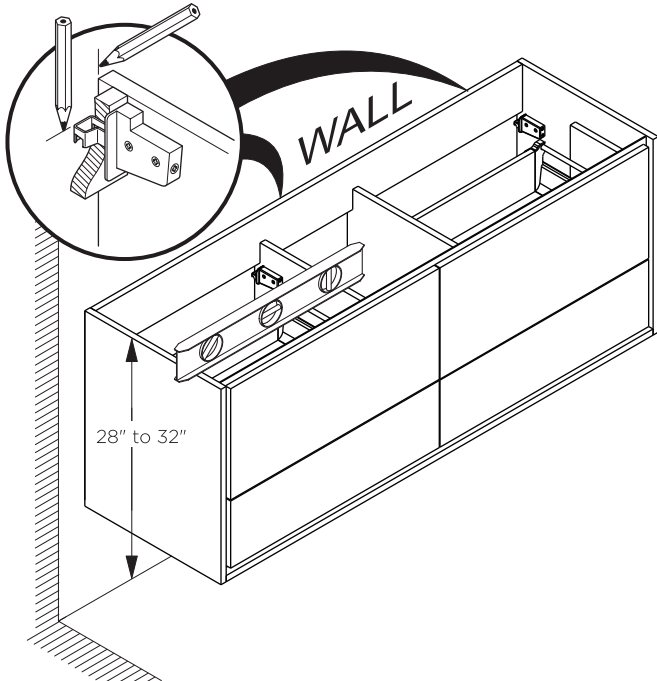
FVN9260-S
SENZA
 INSTALLATION GUIDE

kitchensource.com
 1.800.667.8721

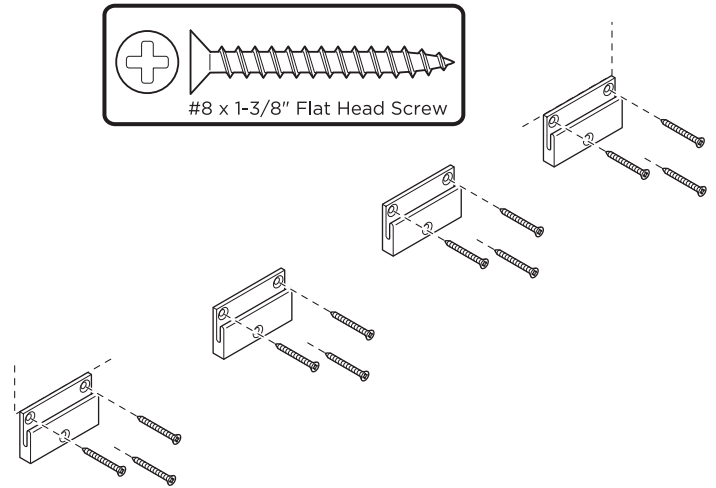


CABINET INSTALLATION

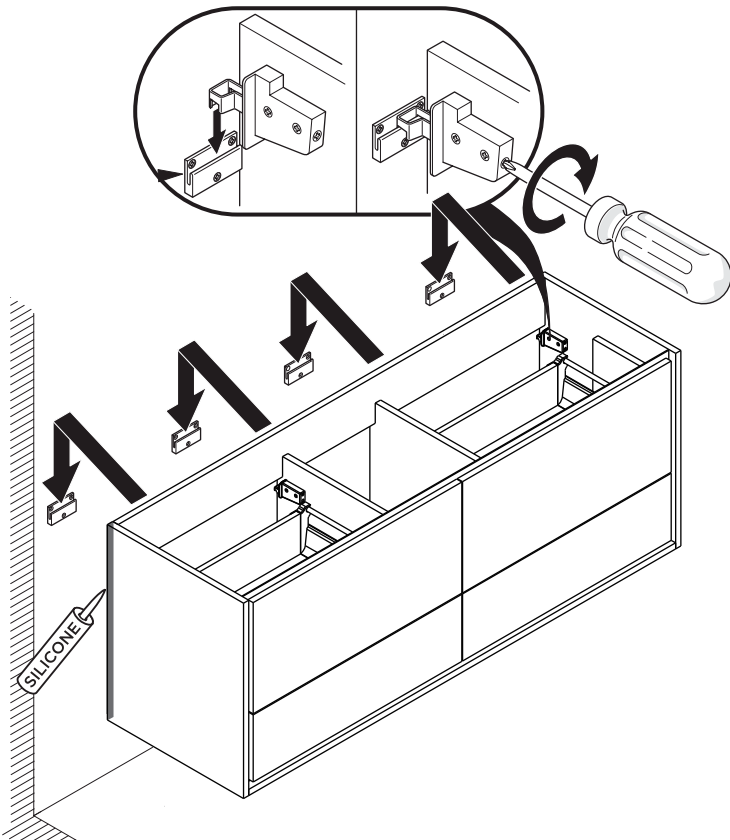
1 Locate cabinet & mark location on the wall



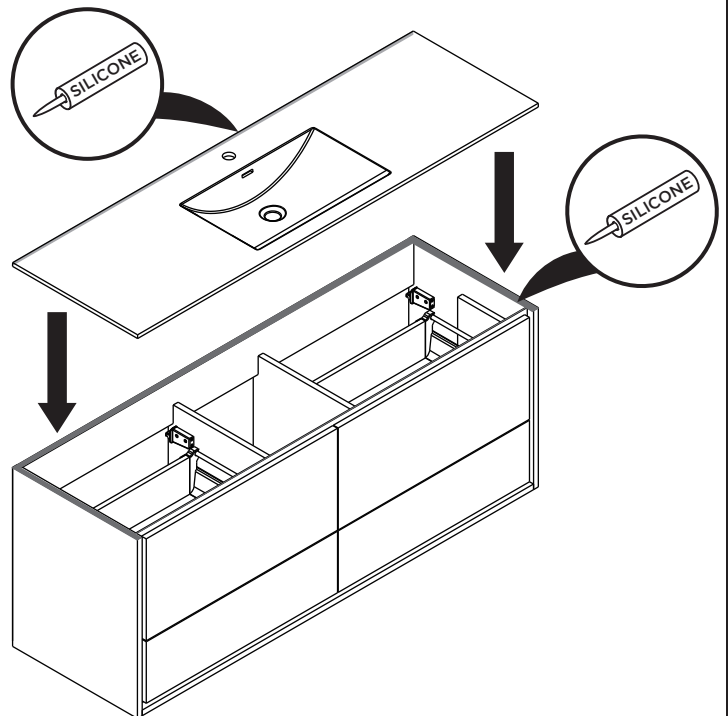
2 Install wall brackets

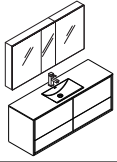


3 Install cabinet



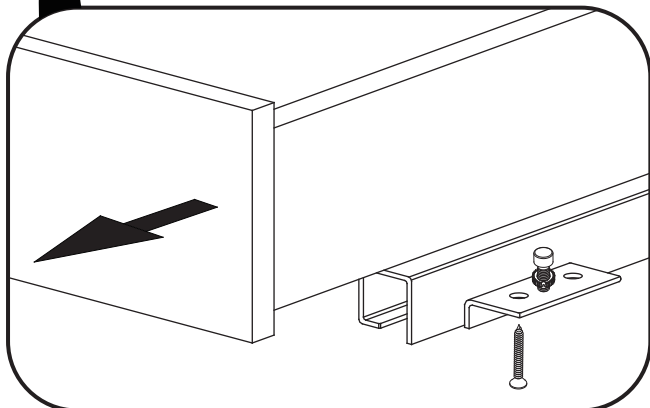
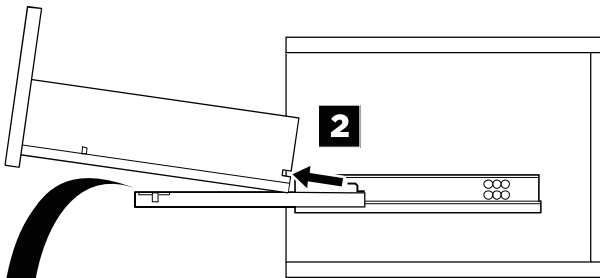
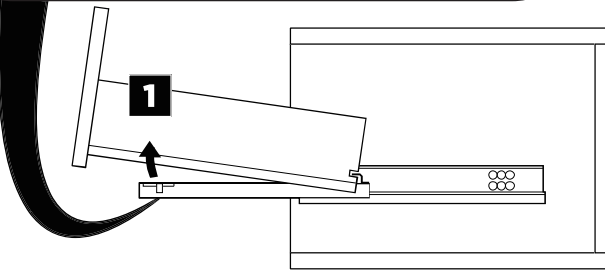
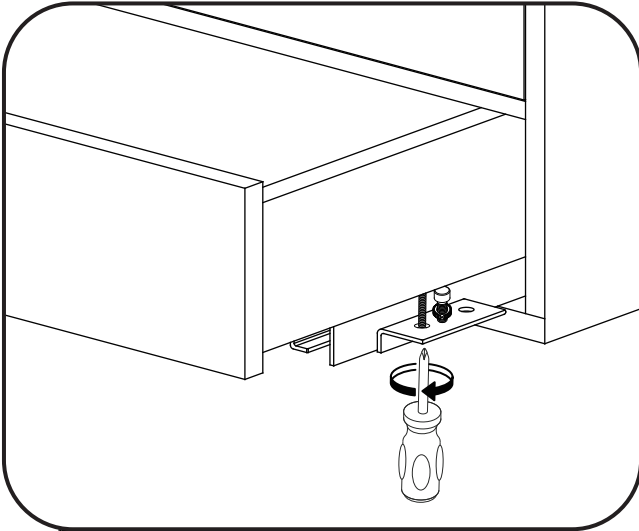
4 Apply a bead of silicone on the top of the cabinet and place sink on the cabinet



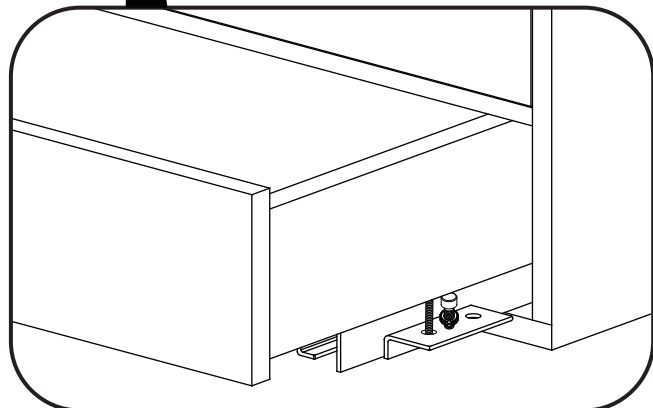
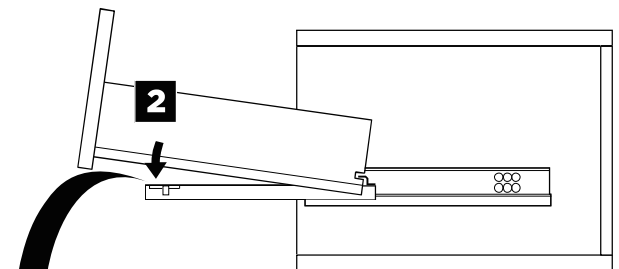
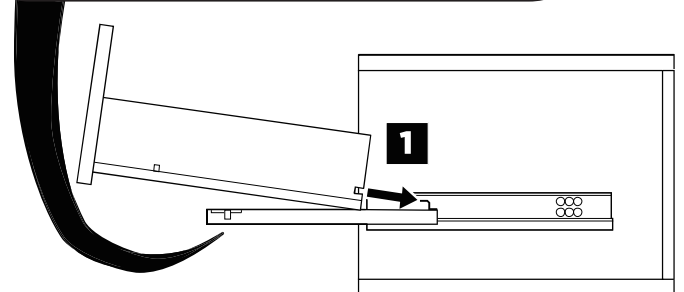
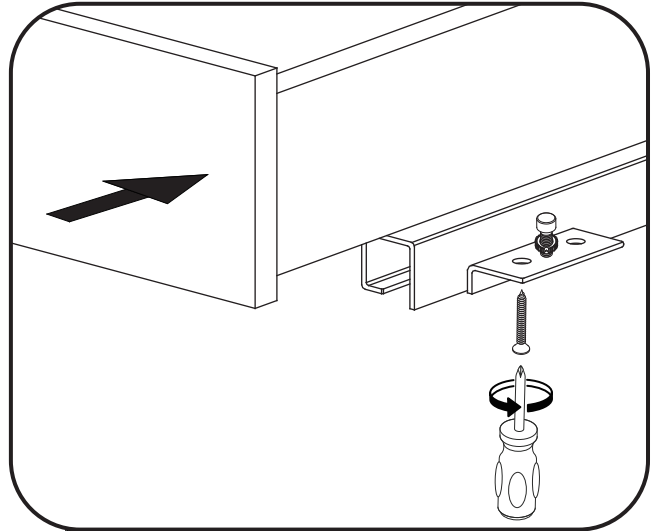


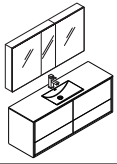
DRAWER REMOVAL & INSTALLATION

REMOVAL



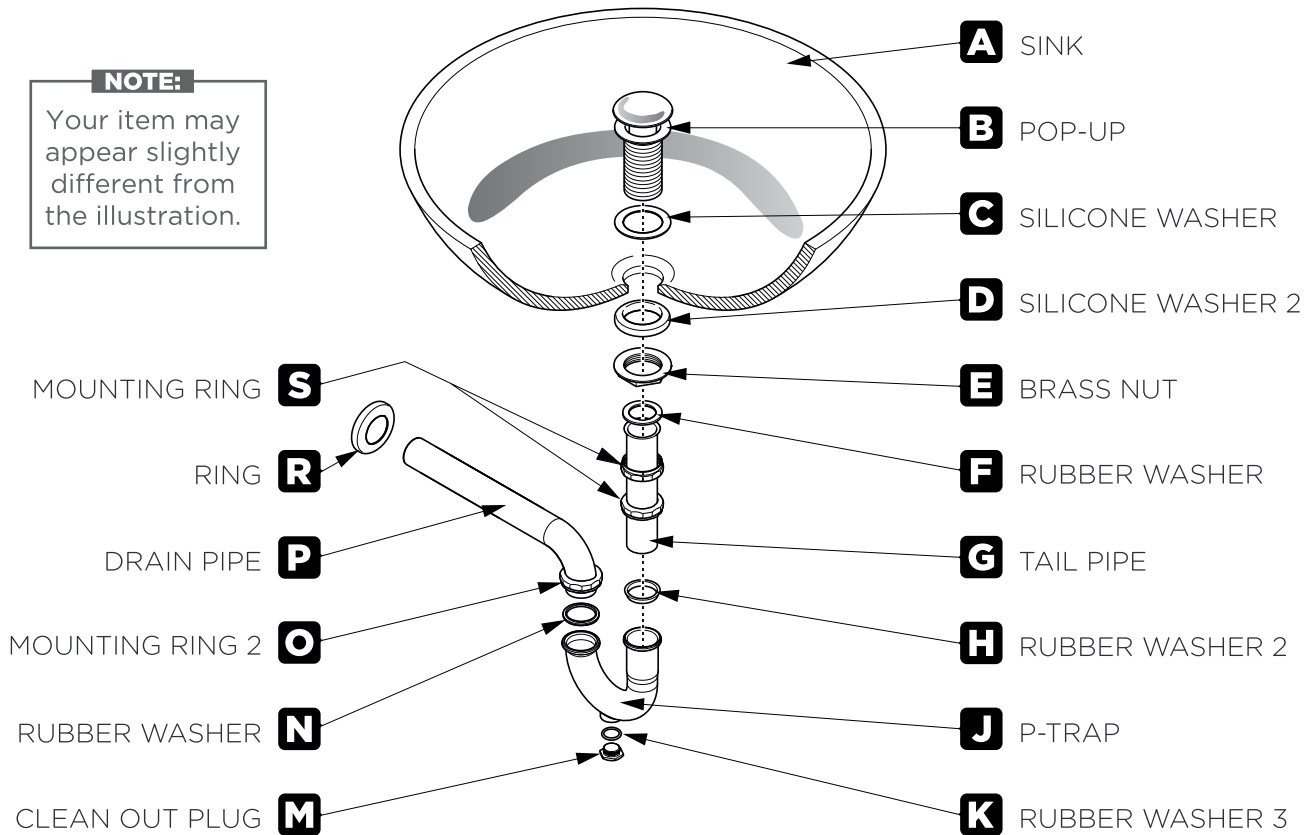
INSTALLATION





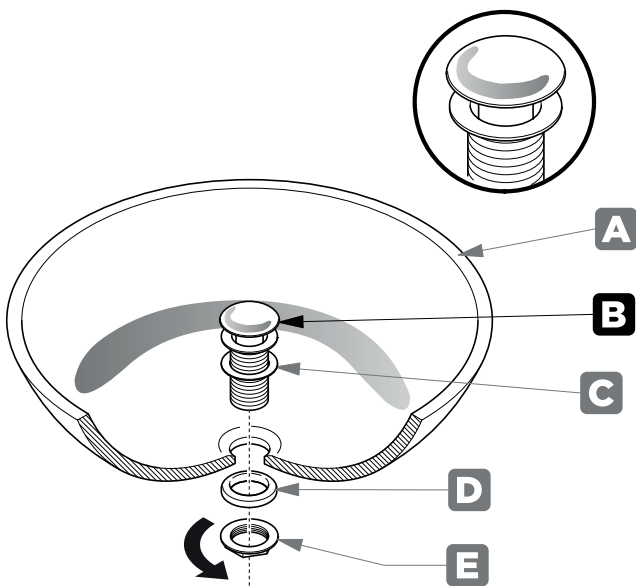
P-TRAP AND POP-UP INSTALLATION INSTRUCTIONS

NOTE:
Your item may appear slightly different from the illustration.



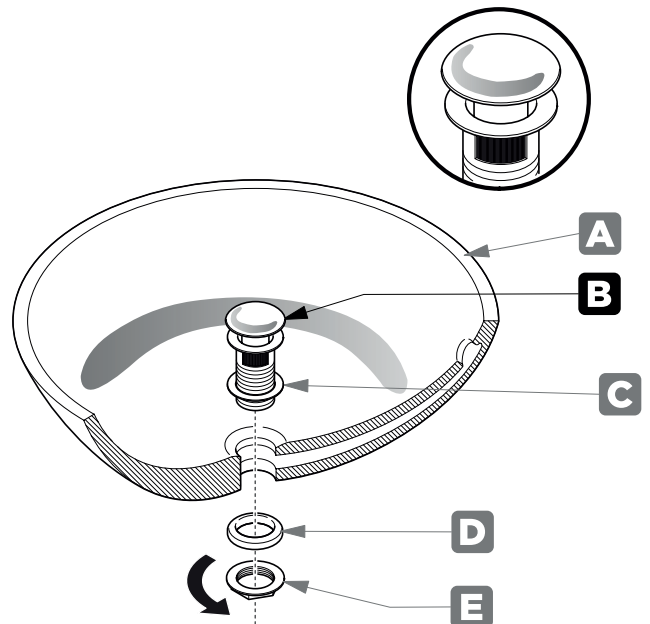
POP-UP INSTALLATION INSTRUCTIONS

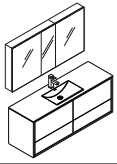
FOR SINKS WITHOUT OVERFLOW



OR

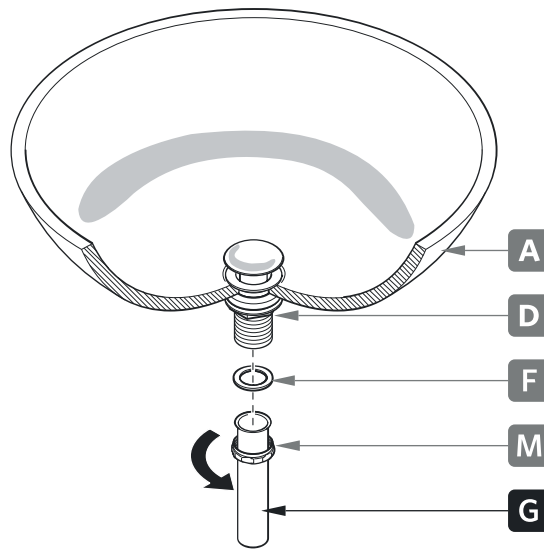
FOR SINKS WITH OVERFLOW





P-TRAP INSTALLATION

1 Install tail pipe (G)



2 Install p-trap (J)

