

BASE CABINET

CABINET SIZE

60"W × 21.5"D × 34.5"H

MIRROR SIZE

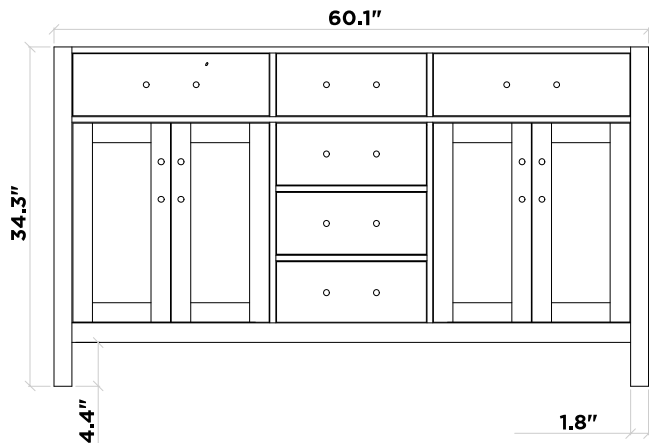
59"W × 39"H

FEATURES

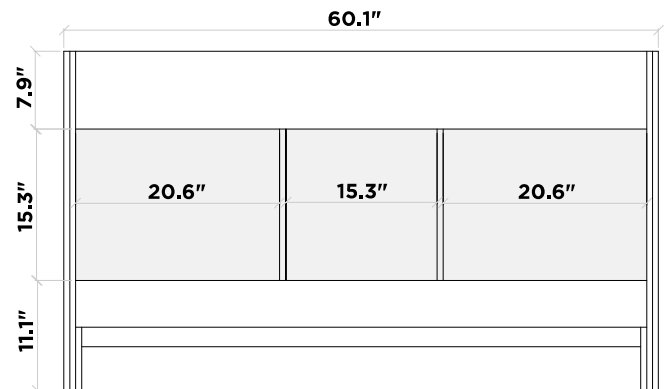
- Solid wood frame with MDF panels.
- Four soft-closing doors with adjustable hinges.
- Four soft-closing drawers with under-mount drawer glides.
- Dove-tail construction drawer boxes.
- Satin nickel finish hardware.
- Matching framed mirror included.



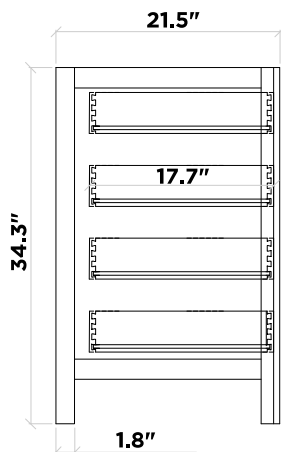
FRONT VIEW



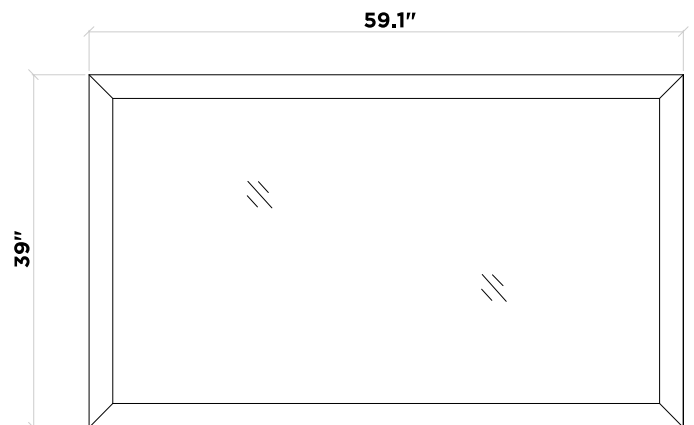
BACK VIEW



SIDE VIEW



MIRROR VIEW



COUNTERTOP

DIMENSIONS

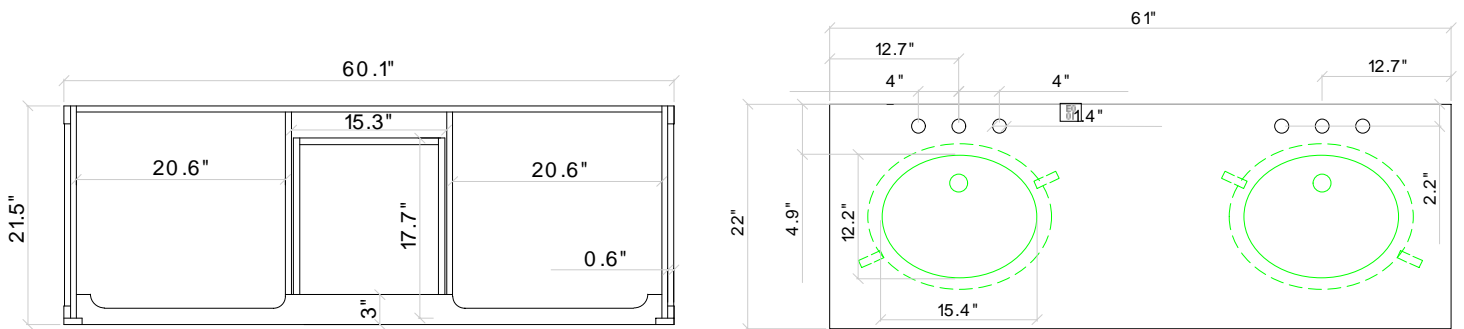
61"W × 22"D × 0.75"H

FEATURES

- Italian carrara white marble countertop.
- Matching backsplash included.
- Countertop pre-drilled for 8 in. widespread faucets.
- One ceramic UPC certified under-mount oval sink.



TOP VIEW



BACKSPLASH

