

### BASE CABINET

#### CABINET SIZE

48"W × 21.5"D × 34.5"H

#### MIRROR SIZE

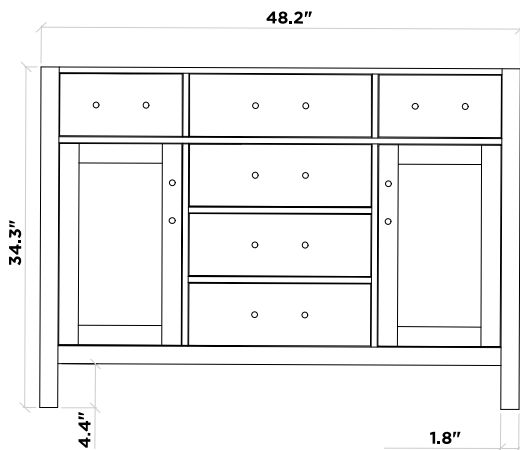
42"W × 35"H

#### FEATURES

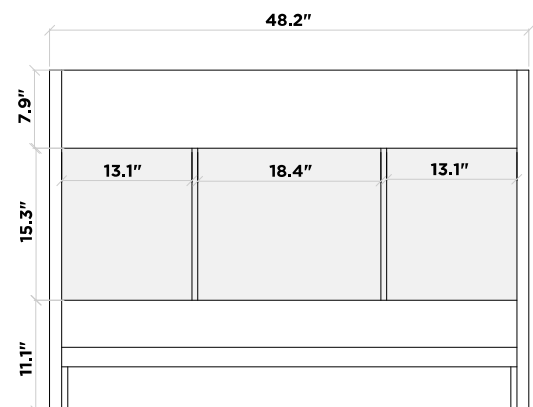
- Solid wood frame with MDF panels.
- Two soft-closing doors with adjustable hinges.
- Five soft-closing drawers with under-mount drawer glides.
- Dove-tail construction drawer boxes.
- Satin nickel finish hardware.
- Matching framed mirror included.



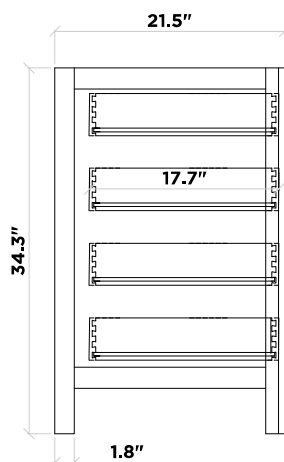
#### FRONT VIEW



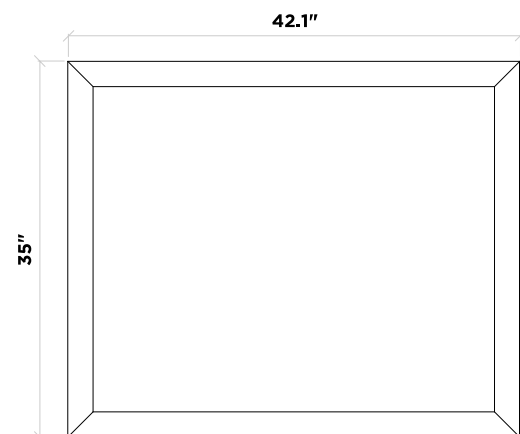
#### BACK VIEW



#### SIDE VIEW



#### MIRROR VIEW



### COUNTERTOP

#### DIMENSIONS

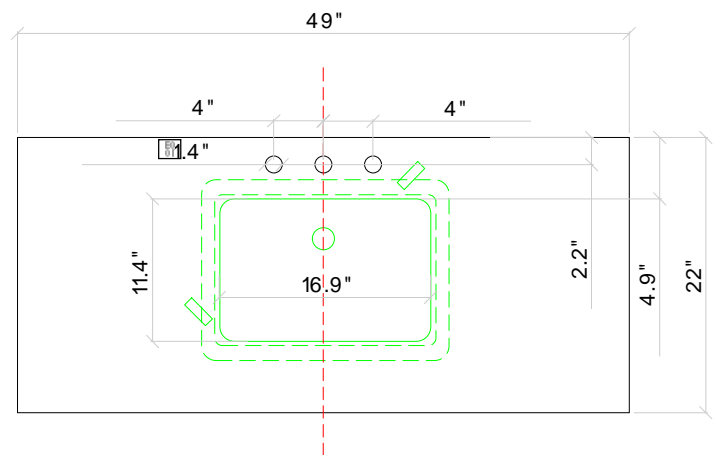
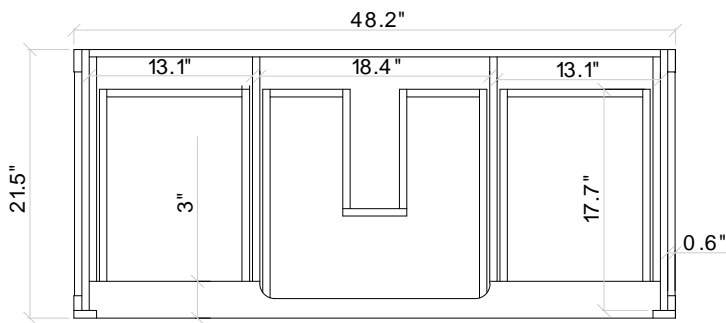
49"W × 22"D × 0.75"H

#### FEATURES

- Italian carrara white marble countertop.
- Matching backsplash included.
- Countertop pre-drilled for 8 in. widespread faucets.
- One ceramic UPC certified under-mount rectangular sink.



### TOP VIEW



### BACKSPLASH

