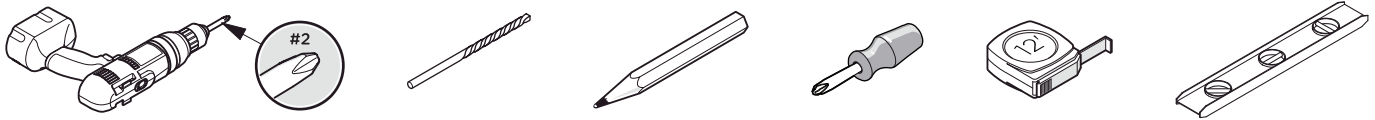


FVN9260-S SENZA INSTALLATION GUIDE

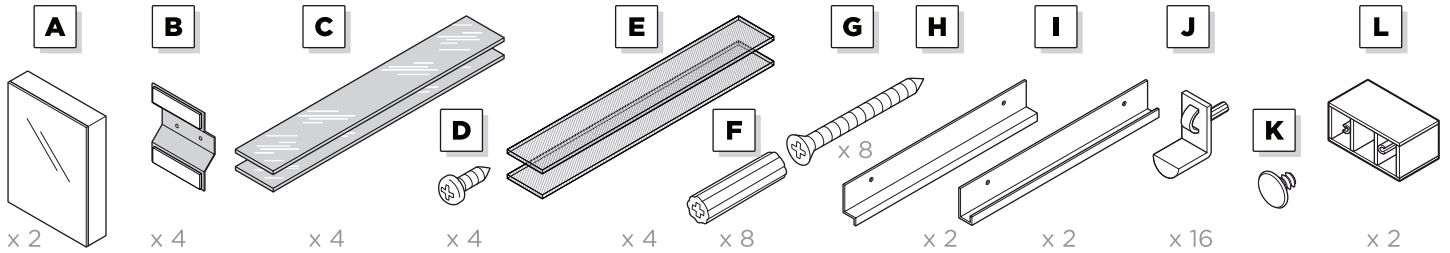
kitchensource.com
1.800.667.8721



TOOLS REQUIRED FOR ASSEMBLY



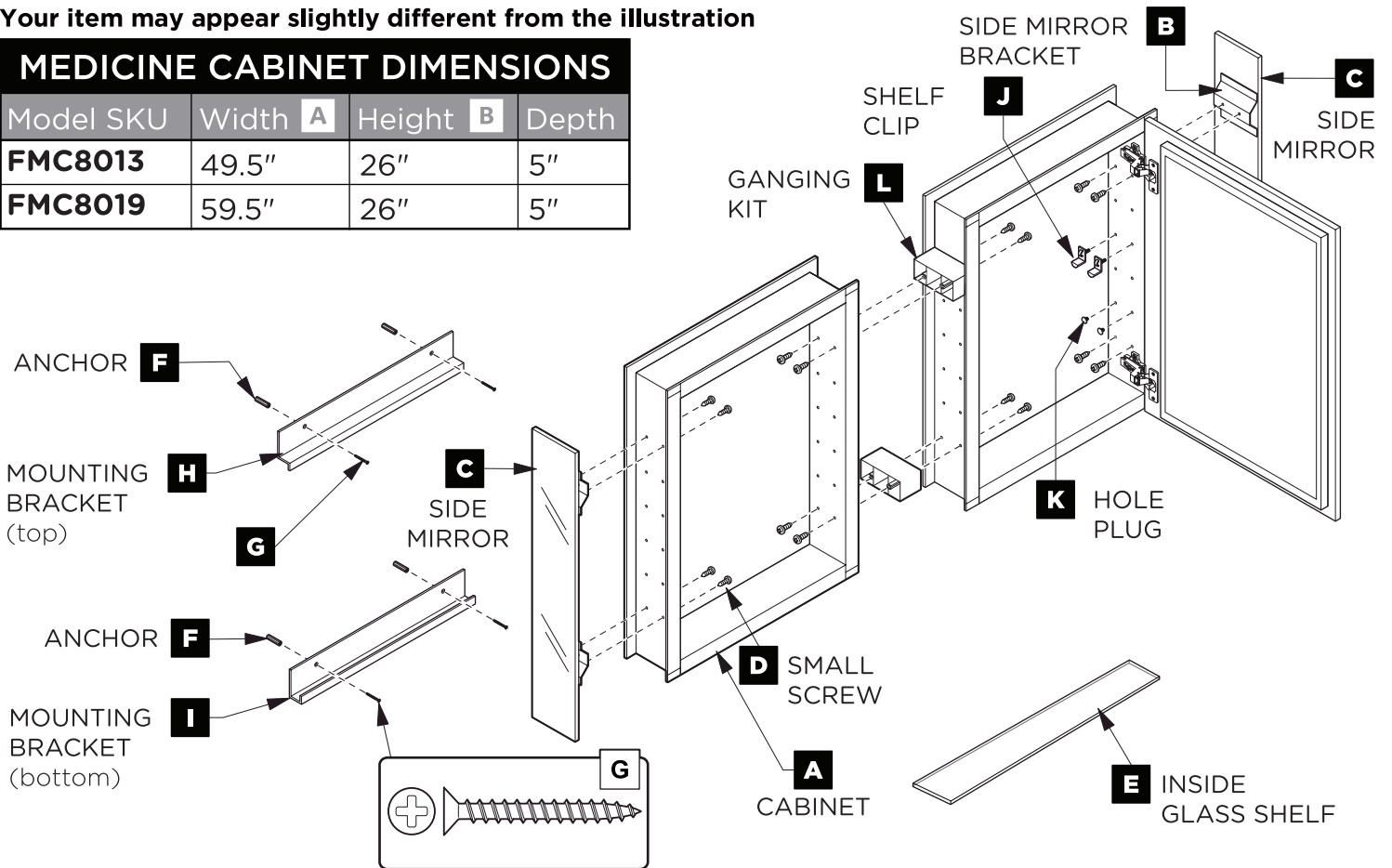
SUPPLIED PARTS



Your item may appear slightly different from the illustration

MEDICINE CABINET DIMENSIONS

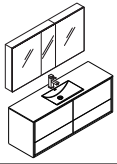
Model SKU	Width A	Height B	Depth
FMC8013	49.5"	26"	5"
FMC8019	59.5"	26"	5"



DANGER:
Risk of electronic shock. Avoid existing electrical wiring or plumbing when mounting this product to the wall.



WARNING:
Risk of property damage. Use anchors rated for the loaded weight of the product. Refer to the anchor manufacturer's instructions.



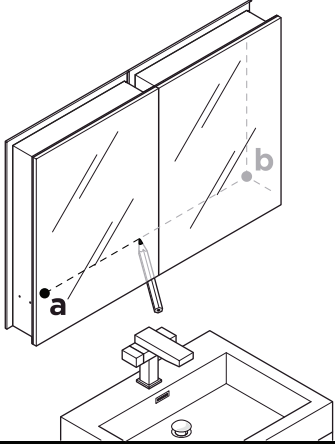
FVN9260-S SENZA INSTALLATION GUIDE

|||kitchensource.com
☎ 1.800.667.8721

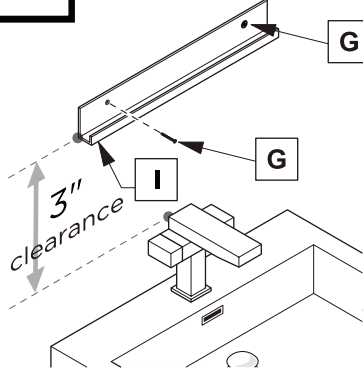


SURFACE-MOUNT INSTALLATION

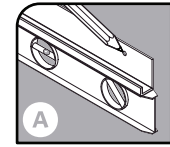
1 Level and mark the cabinet's location on the wall from point **a** to the point **b**.



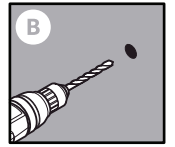
2 Attach bottom bracket (**I**) to the wall.



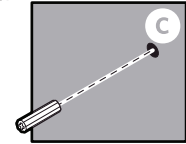
IMPORTANT:
Consult an expert for the proper screws/bolts to use when attaching to various constructions. Screws provided **do not** attach to all wall construction types. Anchors are not required if brackets are installed in stud.



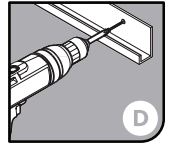
Level and mark.



Drill the holes in the wall.

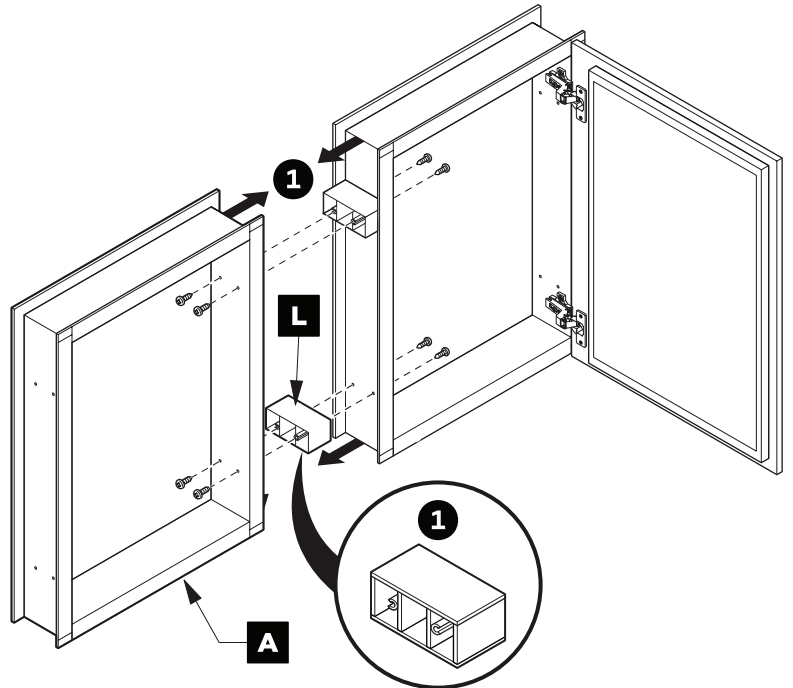


Insert the anchors in the holes.

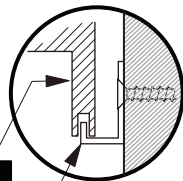
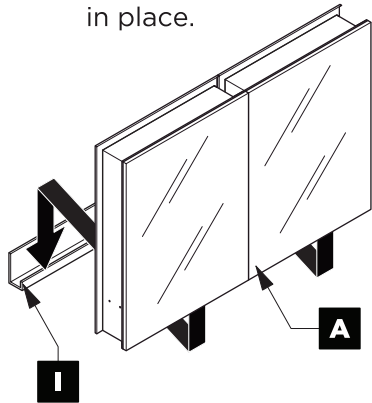


Attach bottom bracket to the wall.

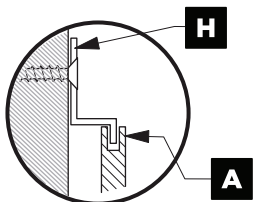
3 Connect cabinets (**A**) together with a ganging kit (**L**).



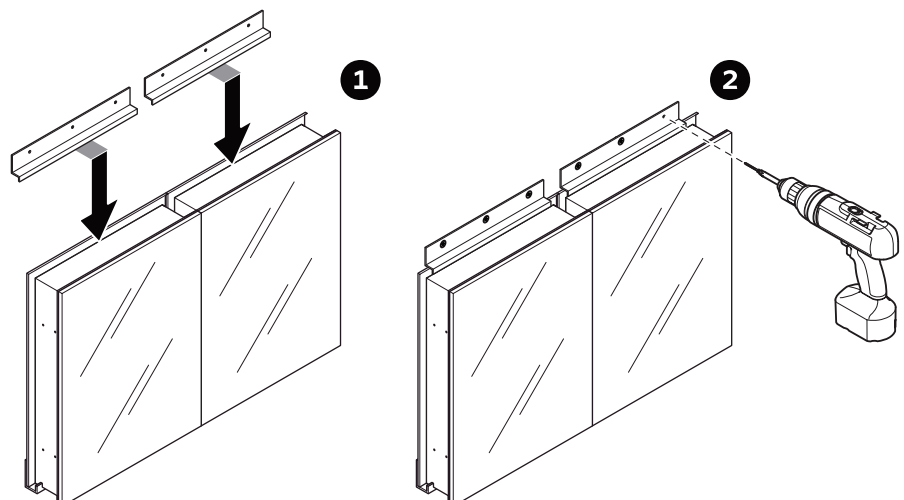
4 With assistance, rest the cabinet (**A**) on the bottom mounting bracket (**I**) and hold it in place.

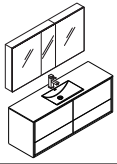


5 Secure the cabinet by fitting the top bracket (**H**) on the top of the cabinet and attaching it to the wall while the cabinet firmly stands on the bottom bracket.



NOTE:
This step requires assis





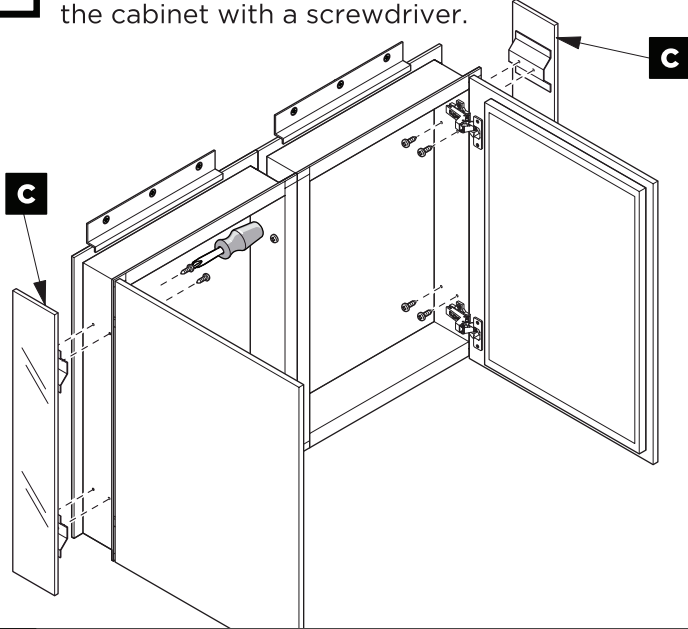
FVN9260-S SENZA INSTALLATION GUIDE

kitchen**source**.com
1.800.667.8721

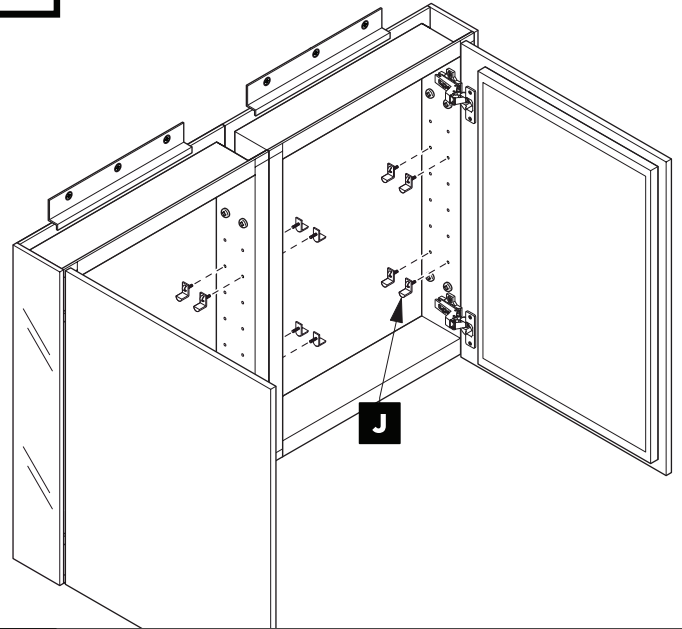


SURFACE-MOUNT INSTALLATION

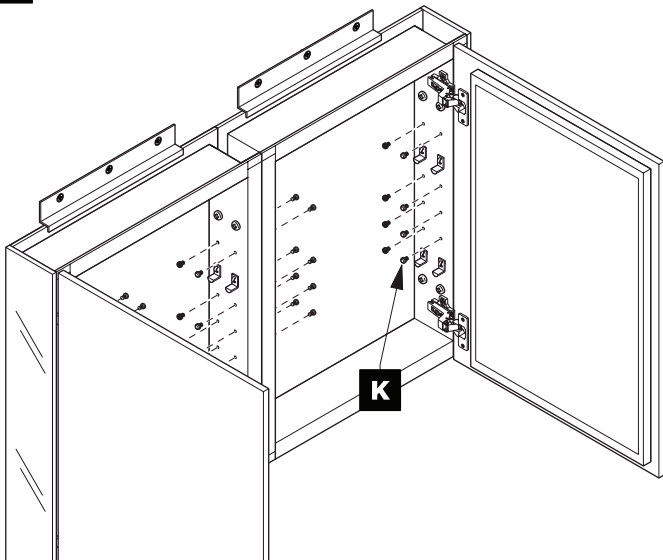
- 6** Attach the side mirrors (C) to the cabinet with a screwdriver.



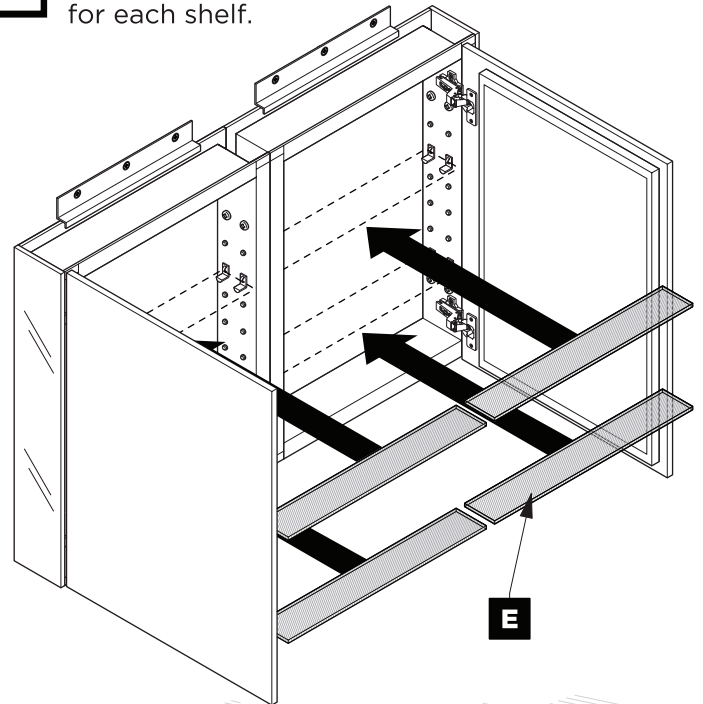
- 7** Push and twist shelf clips (J).



- 8** Fill the remaining holes with a plugs (K).

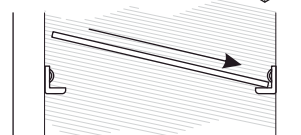
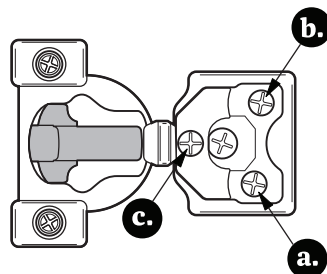


- 9** Insert the shelves (E). Follow the steps below for each shelf.



OPTIONAL DOOR ADJUSTMENT

- a.** This screw allow you to adjust pitch side to side.
- b.** This screw releases cabinet's door and allows up and down adjustment.
- c.** This screw allow you to adjust the gap between the doors.



- 9.a** Push a side of the shelf (E) into left or right pins (J).



- 9.b** Snap the shelf (E) down into opposite side.