

BASE CABINET

CABINET SIZE

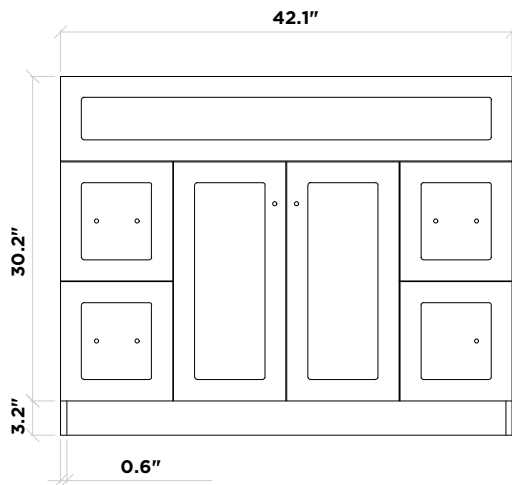
42"W × 21.5"D × 33.5"H

FEATURES

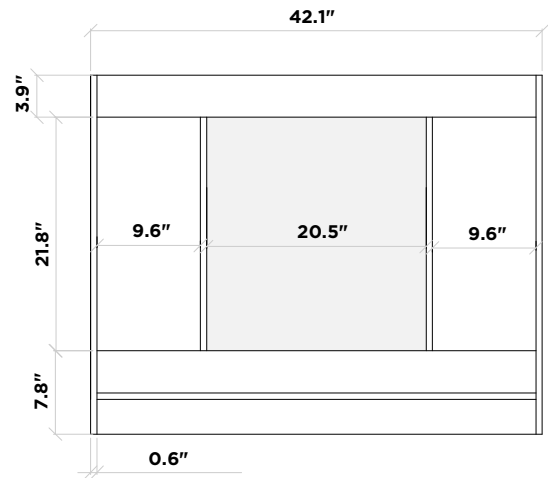
- Hardwood Plywood Construction
- Two soft-closing doors with adjustable hinges
- Four soft-closing drawers with under-mount drawer glides
- Dove-tail construction drawer boxes
- Satin nickel finish hardware



FRONT VIEW



BACK VIEW



SIDE VIEW

