

ARIEL

KENSINGTON 60" SINGLE SINK BASE CABINET

MODEL: D061S

Cabinet Size 60"W x 21.5"D x 33.5"H

Features

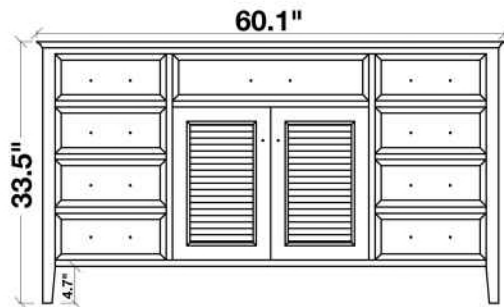
- Solid Wood Construction
- Two Soft-Closing Doors
- Eight Full-Extension, Dove-Tail Construction, Soft-Closing Drawers and One Decorative Faux Drawer
- Satin Nickel Finish Hardware



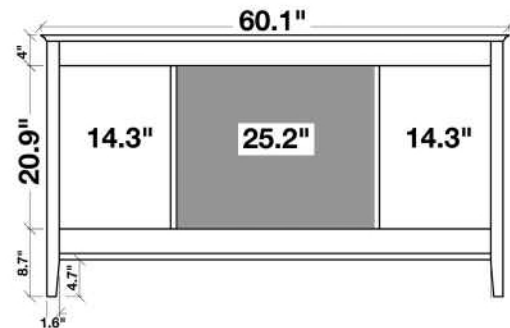
COLLECTION:

ARIEL KENSINGTON

FRONT



BACK VIEW



SIDE VIEW

