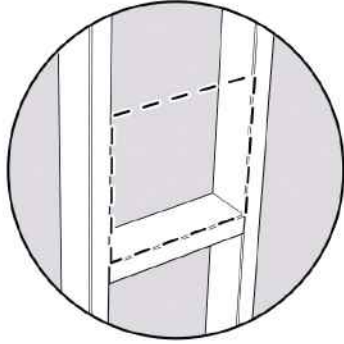


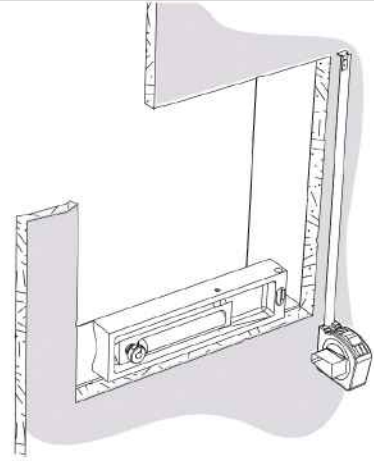


# Shower Niche Installation Instructions

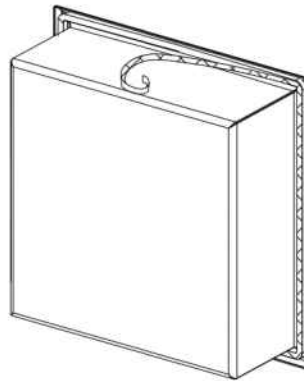
**1** Add horizontal stud to support bottom of Niche



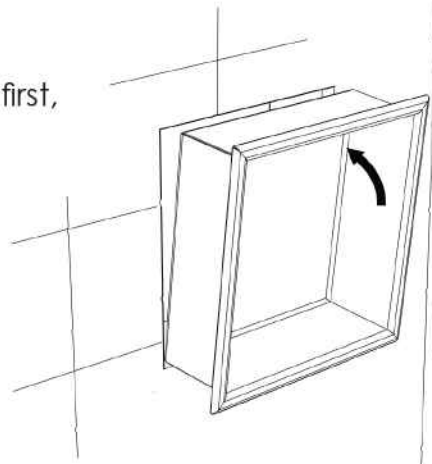
Refer to specifications for cut out dimensions



**2** Peel off the tape cover.



**3** Rest the bottom first, then push in.



Apply silicone around all edges.

