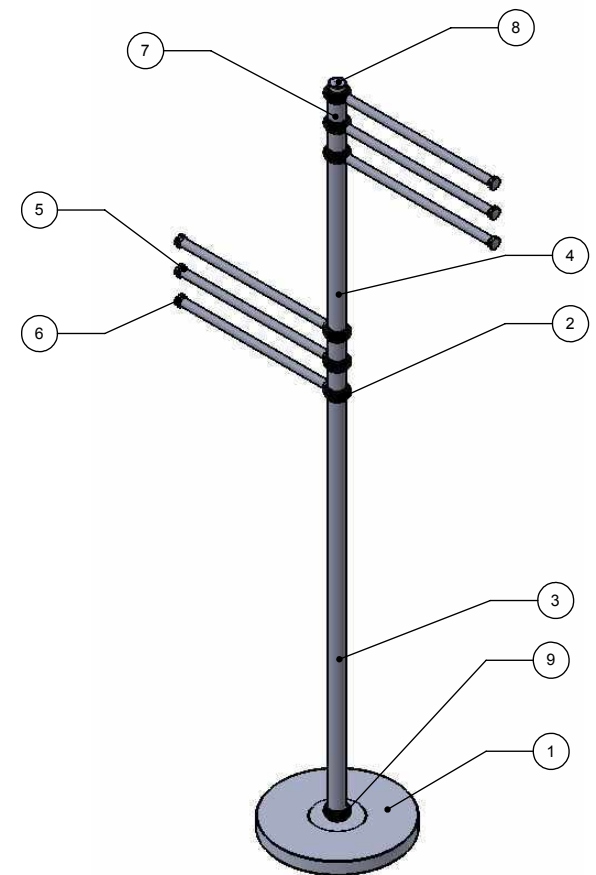
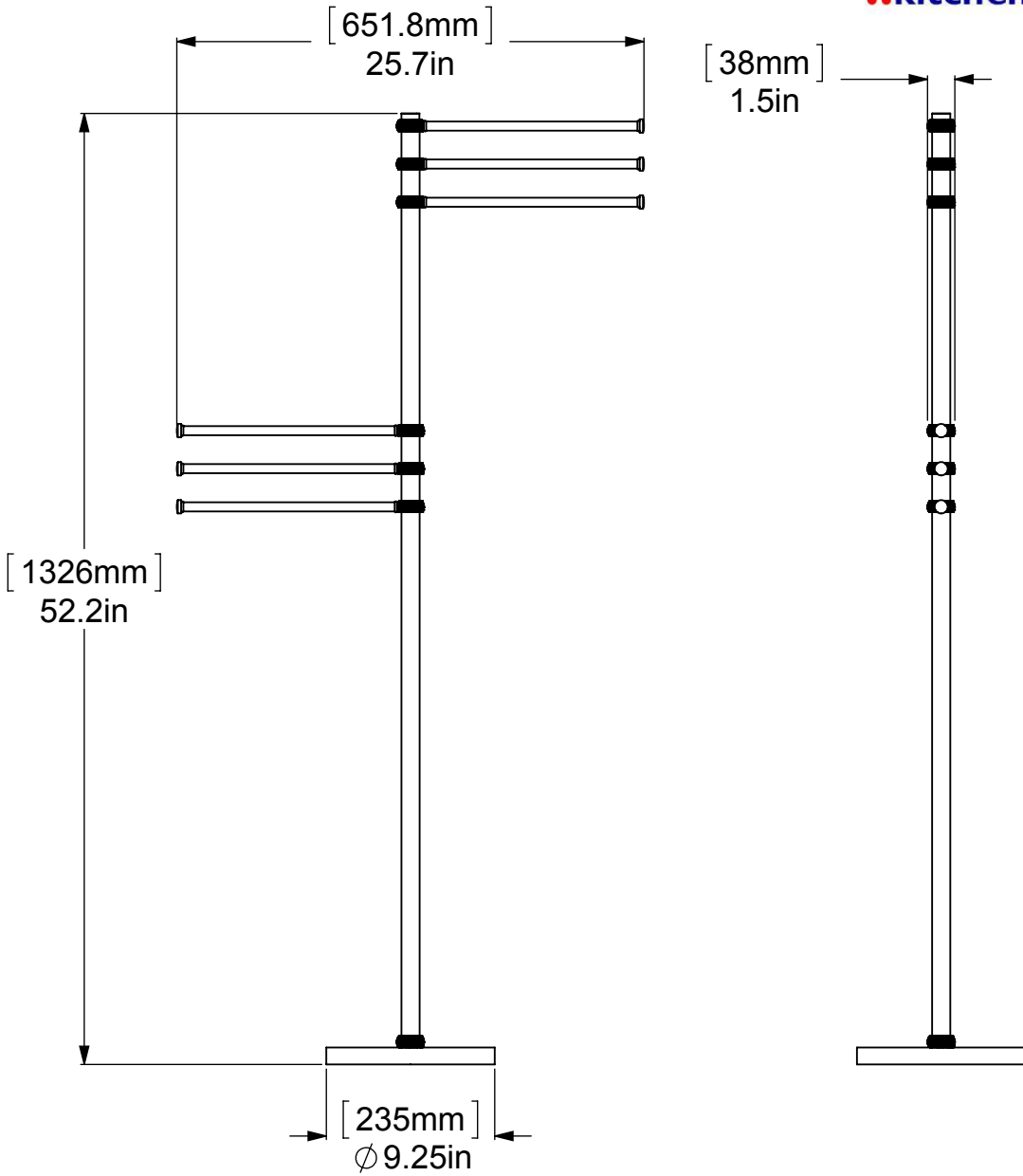


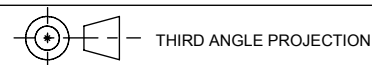
ITEM NO.	P/N	DESCRIPTION	QTY.
1	BSRD-9.25	BASE	1
2	RGTWT	HUB	6
3	TU1-30	TUBE_BOT	1
4	TU1-12	TUBE_MID	1
5	CRRD-12	CHECKING RING	18
6	CARD-34	END CAP	6
7	TU1-1.5	TUBE_CON	4
8	CARD-1	END LOCK	1
9	RGTW	HUB-BOT	1



UNLESS OTHERWISE STATED

.X	±.3mm
.XX	±.15mm
.XXX	±.008mm

COPYRIGHT © Allied Brass 2016



DRAWN	3/22/2016	I.M
CHECKED	3/22/2016	P.D
APPROVED	3/22/2016	R.A

MATERIAL:	BRASS		FINISH	TBD
DESCRIPTION:	Free Standing Accessories		QUANTITY	TBD
			DRAWING No.	REV
			TS-50T	0
SCALE	1:10	SHEET: 01	A4	