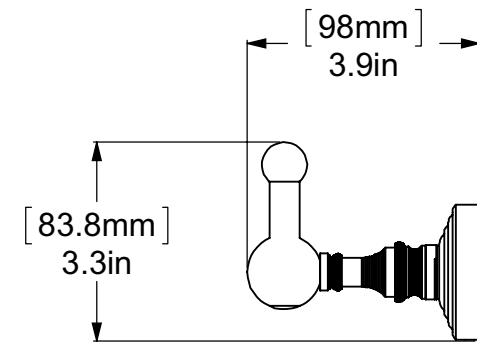
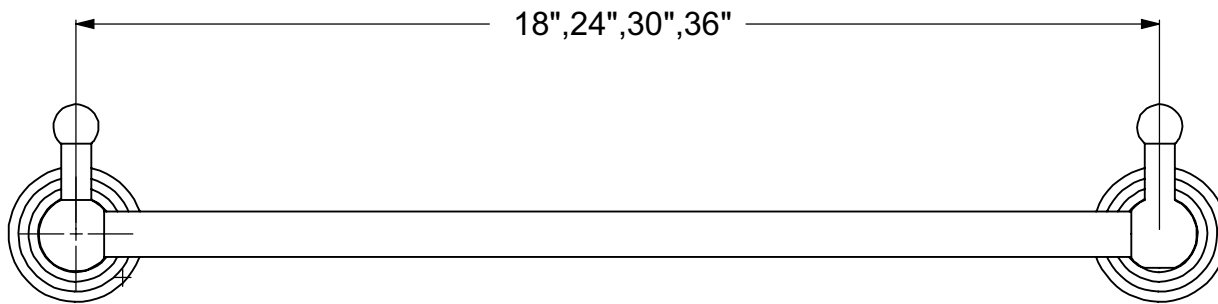
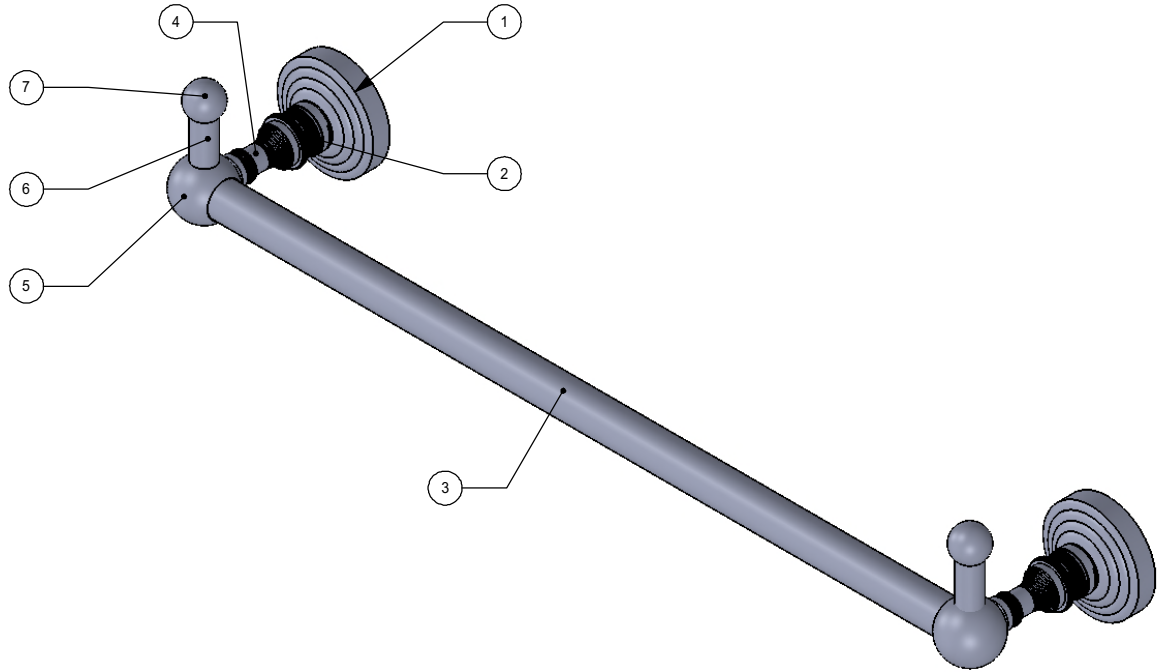
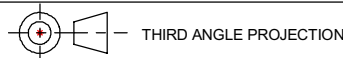


| ITEM NO. | P/N | Description | QTY. |
|----------|------------------|-------------|------|
| 1 | BPWV | BACKPLATE | 2 |
| 2 | NKSL-58 | POST | 2 |
| 3 | TU34-18,24,30,36 | TUBE | 1 |
| 4 | NKSL-1.25 | SUPPORT | 2 |
| 5 | BL34ST-1.25 | LOCK | 2 |
| 6 | TU12-1 | TUBE | 2 |
| 7 | BL1T-34 | END BALL | 2 |



| UNLESS OTHERWISE STATED | |
|-------------------------|---------|
| .X | ±.3mm |
| .XX | ±.15mm |
| .XXX | ±.008mm |

COPYRIGHT © Allied Brass 2017



| | | | | | | | |
|----------|-----------|-----|--------------|---|-------------|-----|-----------|
| DRAWN | 3/23/2017 | I.M | MATERIAL: | BRASS | FINISH | TBD | |
| CHECKED | 3/23/2017 | P.D | DESCRIPTION: | Waverly Place Collection Towel Bar with Integrated Hooks | QUANTITY | TBD | |
| APPROVED | 3/23/2017 | R.A | | | DRAWING No. | | REV |
| | | | | | WP-41PEG | | 0 |
| | | | | | SCALE | 1:3 | SHEET: 01 |