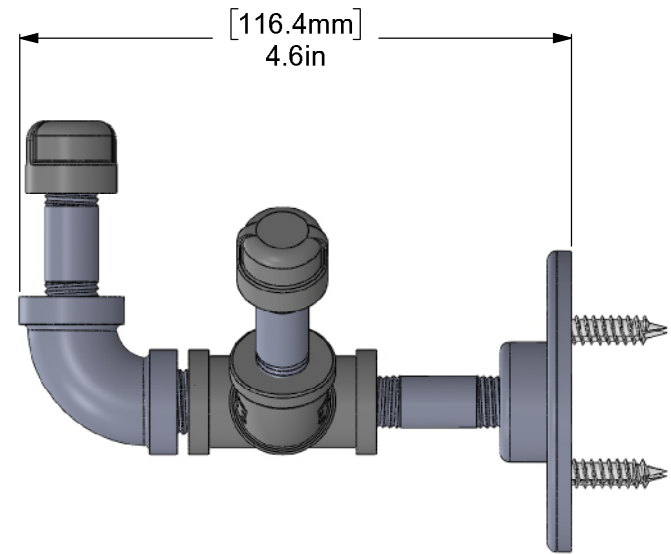
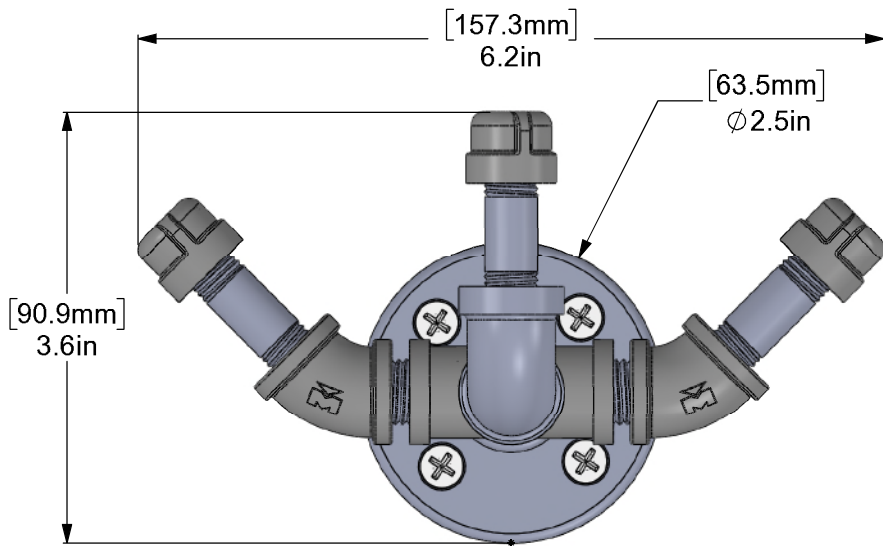
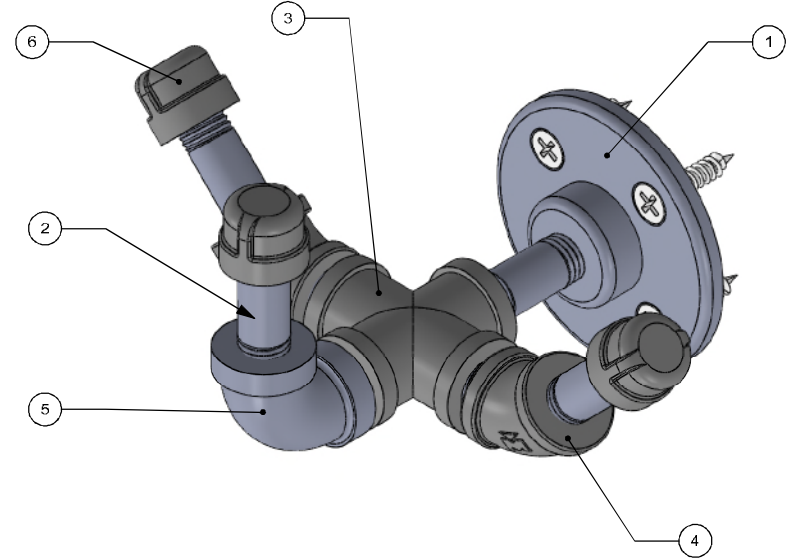


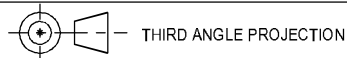
ITEM #	PART NO.	DESCRIPTION	QTY
1	PIPE-FL14-3	BACKPLATE	1
2	PIPE-NIP14-1.5	1/4" NIPPLE 1 1/2"	4
3	PIPE-CROSS-14	1/4"CROSS TEE	1
4	PIPE-EL14-45	1/4" ELBOW 45 DEG	2
5	PIPE-EL14-90	1/4" ELBOW 90 DEG	1
6	PIPE-CAP-14	1/4" CAP	3



UNLESS OTHERWISE STATED

.X	±.3mm
.XX	±.15mm
.XXX	±.008mm

COPYRIGHT © Allied Brass 2022



DRAWN	6/5/2022	I.M
CHECKED	6/5/2022	R.P
APPROVED	6/5/2022	R.A

MATERIAL: BRASS

DESCRIPTION:  
PIPELINE TRI HOOK



FINISH	TBD
QUANTITY	TBD
DRAWING No.	REV
P-330-THK	0
SCALE	SHEET: 01
1:1.5	A4