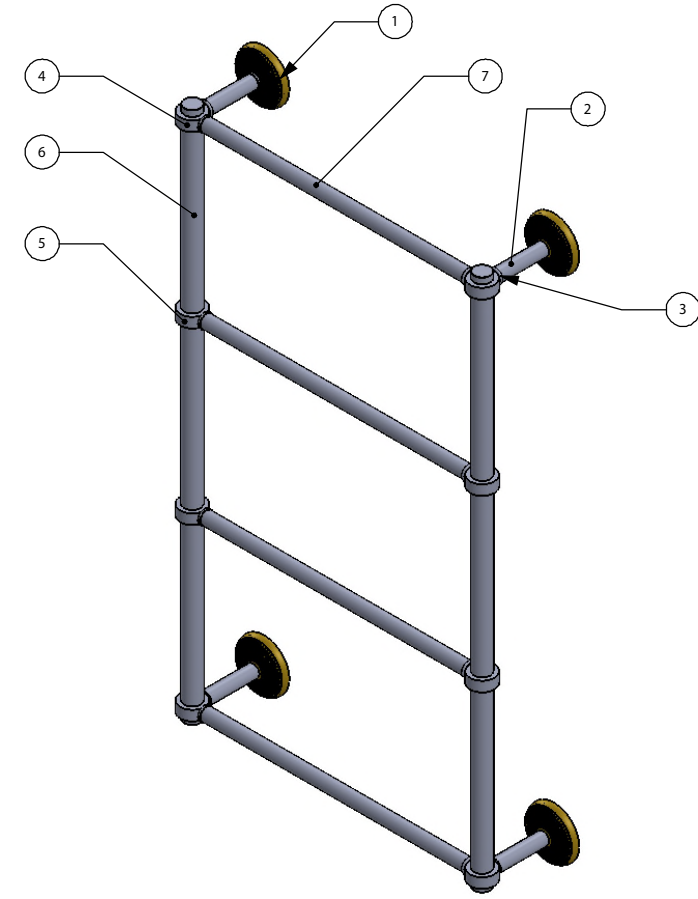
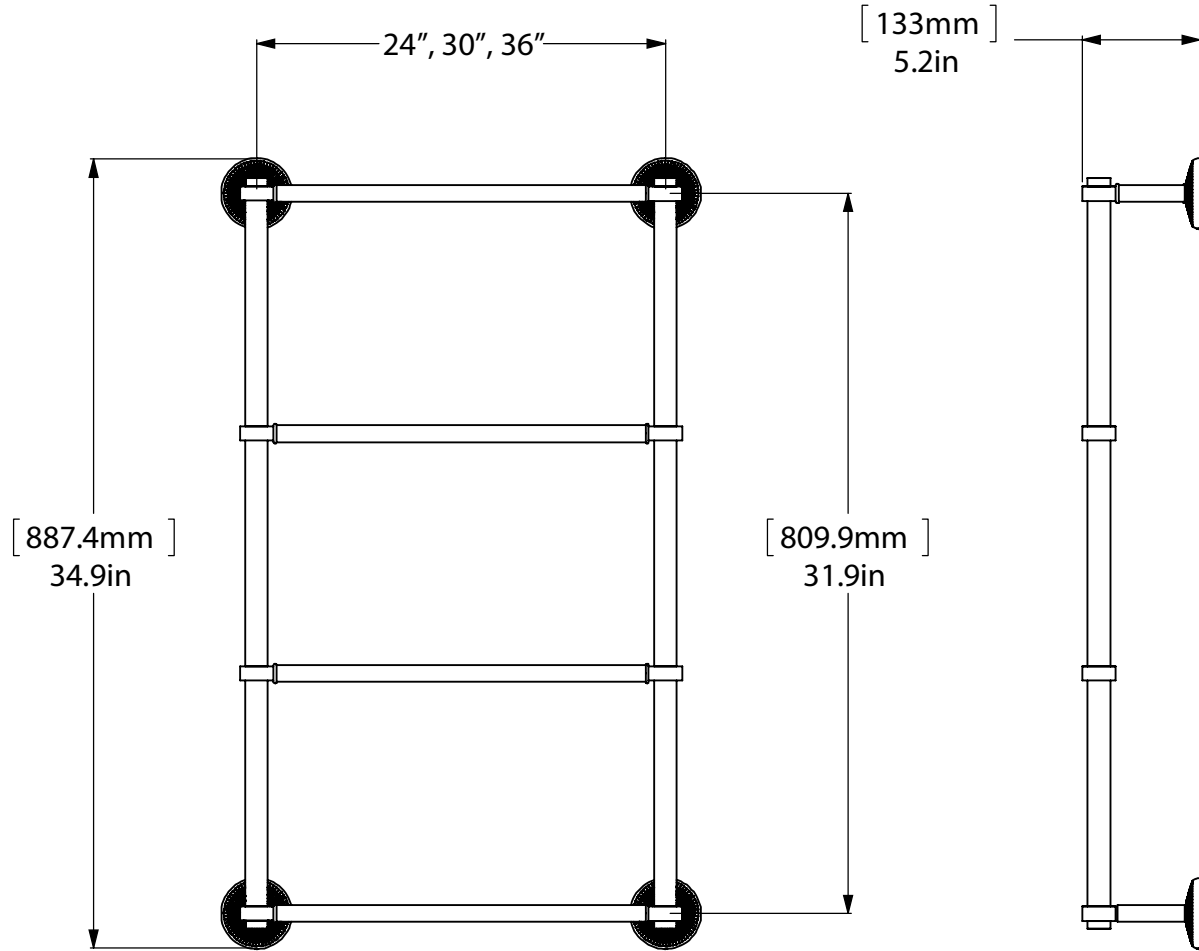


| ITEM NO. | P/N | Description | QTY. |
|----------|---------------|-------------|------|
| 1 | BPMC | BACKPLATE | 4 |
| 2 | TU34-3 | POST | 4 |
| 3 | CRRD-34 | CHECK RING | 20 |
| 4 | RGSMD | HUB | 4 |
| 5 | RGSMT | HUB | 4 |
| 6 | TU1-10 | TUBE | 6 |
| 7 | TU34-24,30,36 | BAR | 4 |



| UNLESS OTHERWISE STATED | |
|-------------------------|---------|
| .X | ±.3mm |
| .XX | ±.15mm |
| .XXX | ±.008mm |

COPYRIGHT © Allied Brass 2018



APPROVED FOR PRODUCTION
BY: RICHARD PAUL
DATE: 01/05/2018

| | | | | | | |
|----------|----------|-----|--------------|---|-------------|-------|
| DRAWN | 01-05-18 | I.M | MATERIAL: | BRASS | FINISH | TBD |
| CHECKED | 01-05-18 | P.D | DESCRIPTION: | Monte Carlo Collection 4 Tier Ladder Towel Bar | QUANTITY | TBD |
| APPROVED | 01-05-18 | R.A | | | DRAWING No. | MC-28 |
| | | | | | SCALE | 1:8 |
| | | | | | | A4 |