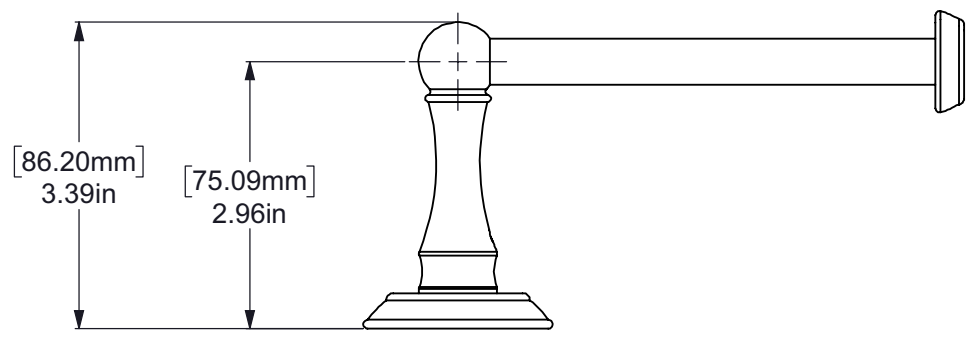
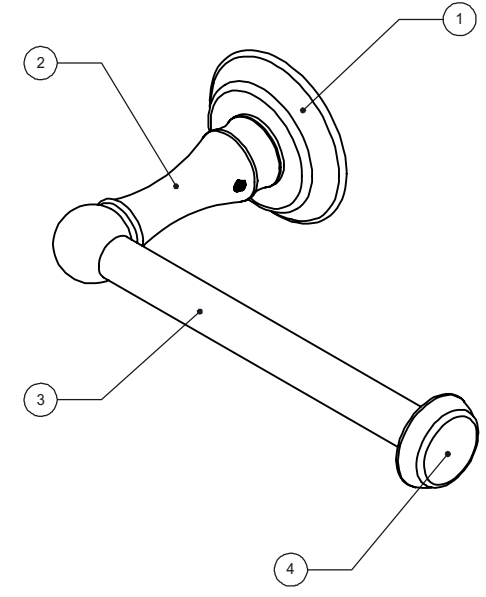
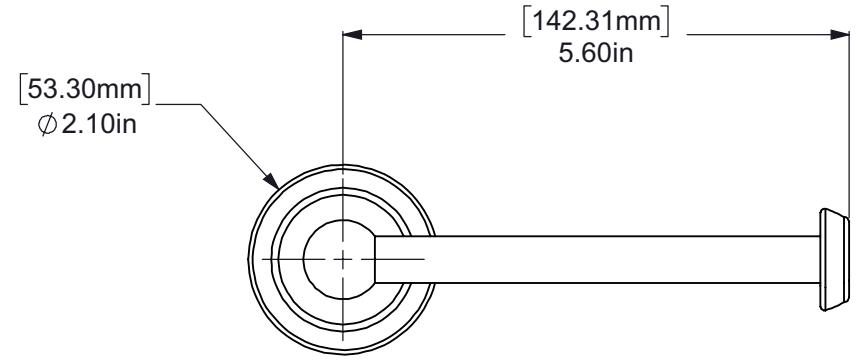


ITEM #	PART NO.	DESCRIPTION	QTY
1	BPET	BACKPLATE	1
2	TBET-3	TOWEL BAR POST	1
3	TU12-5.5	TUBE	1
4	CARD-ES	ESSEX CAP	1



UNLESS OTHERWISE STATED	
.X	±.3mm
.XX	±.15mm
.XXX	±.008mm

COPYRIGHT © Allied Brass 2022

THIRD ANGLE PROJECTION

DRAWN	9/29/2022	I.M
CHECKED	9/29/2022	R.P
APPROVED	9/29/2022	R.A

MATERIAL: BRASS

DESCRIPTION: Essex Collection Euro Style Toilet Tissue Holder

FINISH	TBD
QUANTITY	TBD
DRAWING No.	REV
ES-24E	0
SCALE	SHEET: 01
1:2	A4