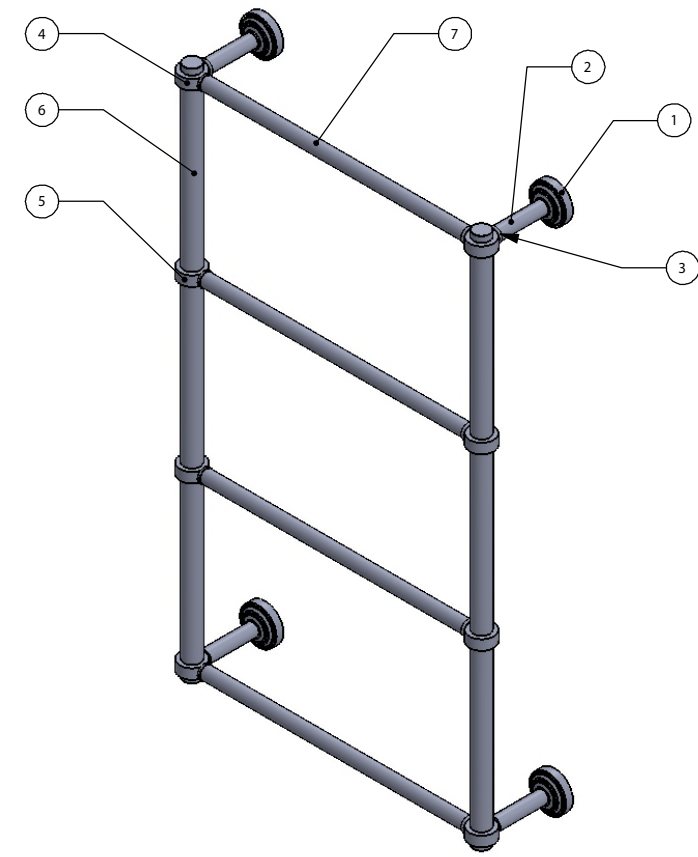
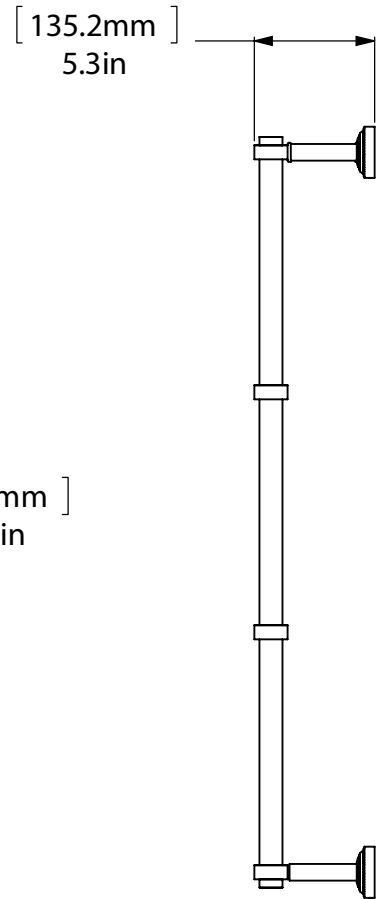
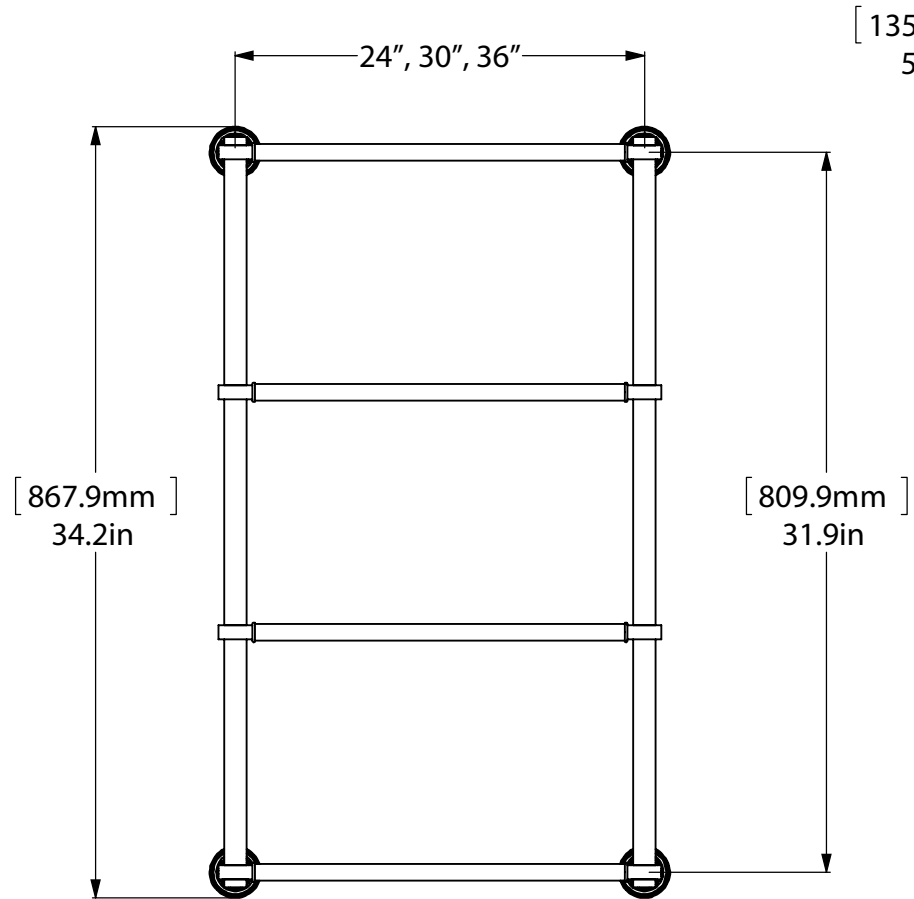


ITEM NO.	P/N	Description	QTY.
1	BPDT	BACKPLATE	4
2	TU34-3	POST	4
3	CRRD-34	CHECK RING	20
4	RGSMD	HUB	4
5	RGSMT	HUB	4
6	TU1-10	TUBE	6
7	TU34-24,30,36	BAR	4



UNLESS OTHERWISE STATED	
.X	±.3mm
.XX	±.15mm
.XXX	±.008mm

COPYRIGHT © Allied Brass 2018



APPROVED FOR PRODUCTION
BY: RICHARD PAUL
DATE: 01/05/2018

DRAWN	01-05-18	I.M	MATERIAL:	BRASS	FINISH	TBD
CHECKED	01-05-18	P.D	DESCRIPTION:	Dottingham Collection 4 Tier Ladder Towel Bar	QUANTITY	TBD
APPROVED	01-05-18	R.A			DRAWING No.	REV
					SCALE	1:8