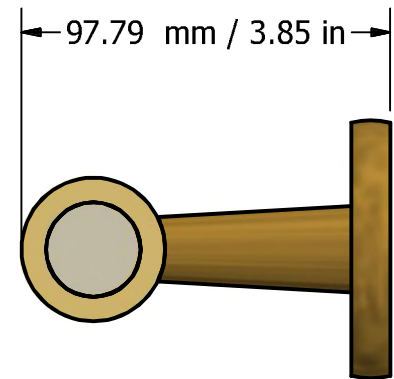
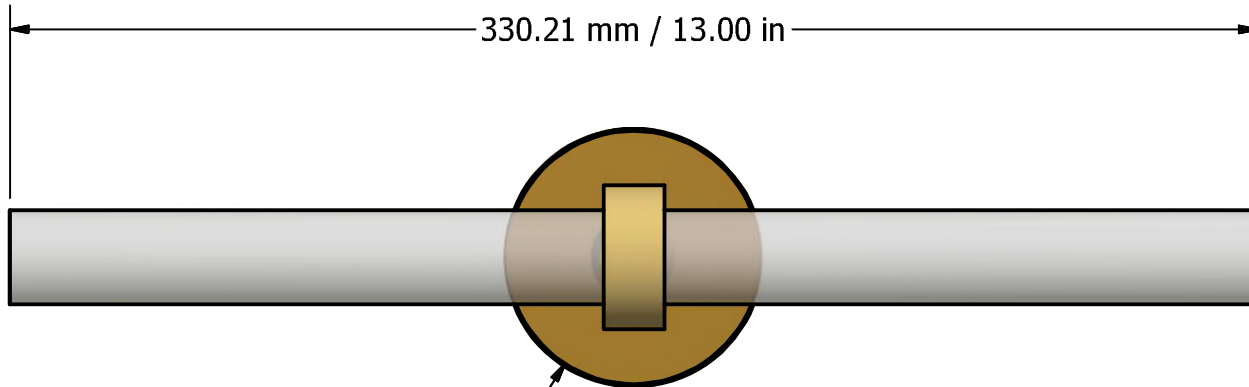
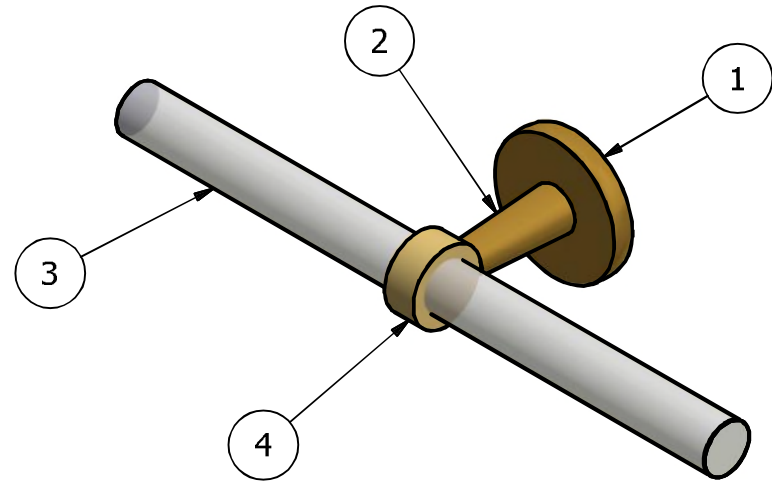


**PARTS LIST**

ITEM	QTY	PART NUMBER	DESCRIPTION
1	1	BPRD	BACKPLATE
2	1	CL-TB	ACRYLIC POST
3	1	AC1-13	13' ACRYLIC BAR
4	1	RGSMT-1	RING WITH NEW SIZE HOLE



UNLESS OTHERWISE SPECIFIED	
.X	± .3mm
.XX	± .15mm
.XXX	± .008mm

UNIT IS IN MM.

**APPROVED FOR PRODUCTION**

By: RICHARD PAUL  
Date: 10-15-18

DRAWN	10-15-18	IM	MATERIAL:	BRASS	FINISH	TBD
CHECKED	10-15-18	P.D.	DESCRIPTION:		QTY	TBD
APPROVED	10-15-18	R.A.	Clearview Collection 2 Arm Guest Towel Holder		DRAWING NO.	REV
THIRD ANGLE PROJECTION			SCALE		1.5:1	SHEET: 1 OF 1

2

1