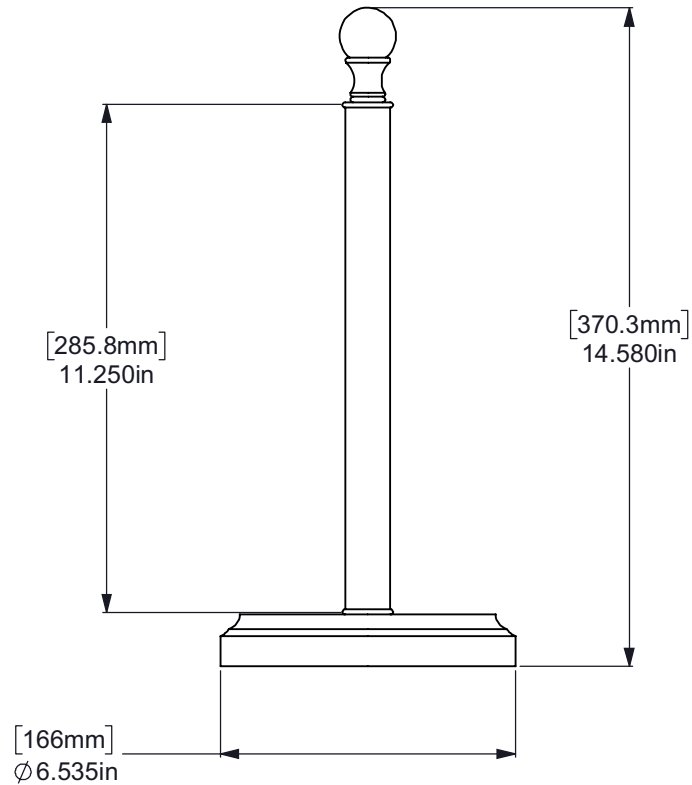
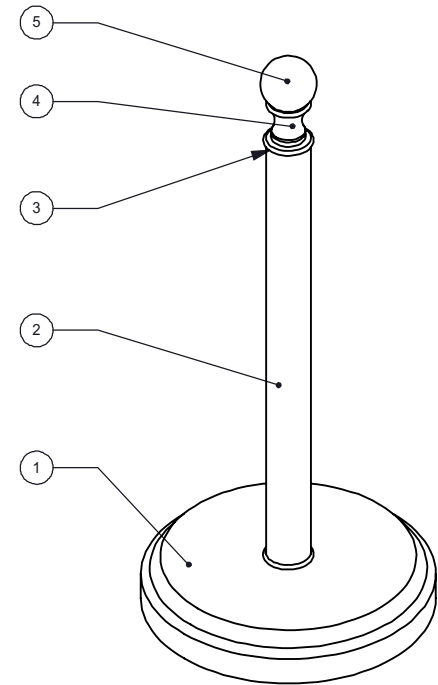
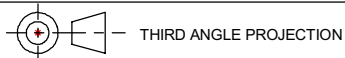



ITEM NO.	PART NUMBER	DESCRIPTION	QTY.
1	BSTD-6.5	BASE	1
2	TU1-11.25	TUBE	1
3	CRRD-1.38	CHECK RING	2
4	KBBD-1	KNOB	1
5	BLAC-1.25	ACRYLIC KNOB	1



UNLESS OTHERWISE STATED	
.X	± .3mm
.XX	± .15mm
.XXX	± .008mm

COPYRIGHT © Allied Brass 2023



DRAWN	1/11/2023	I.M	MATERIAL:	BRASS	FINISH	TBD	
CHECKED	1/11/2023	P.D	DESCRIPTION:		QUANTITY	TBD	
APPROVED	1/11/2023	R.A	Paper Towel Holder		DRAWING No.	CV-1053	REV
				SCALE	1:8	SHEET: 01	A4