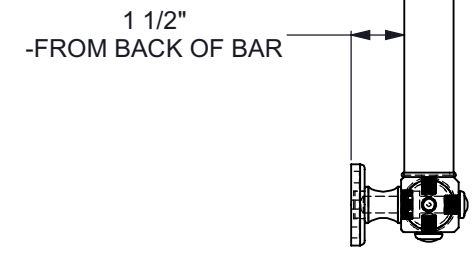
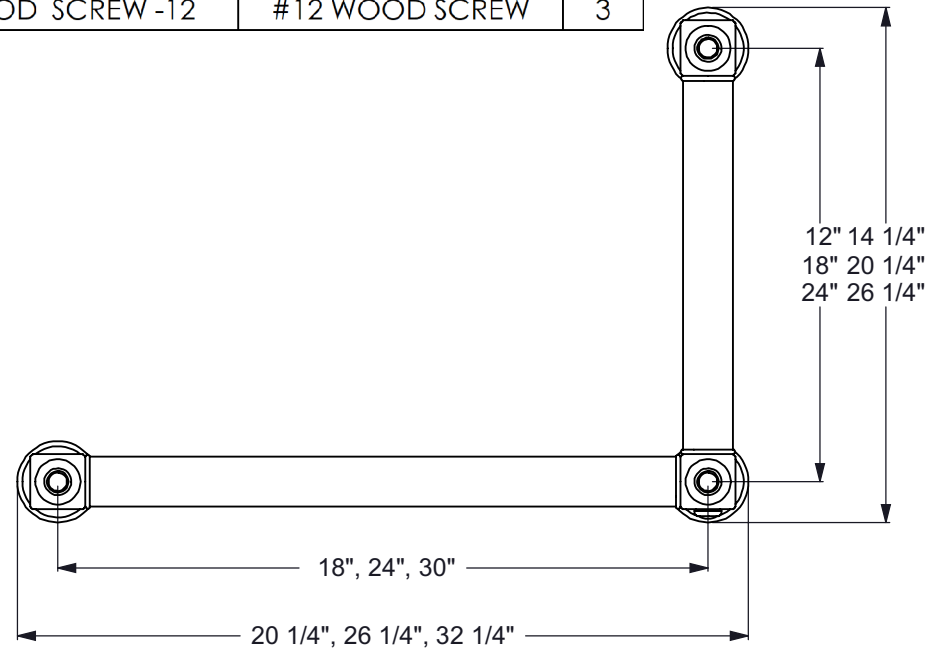
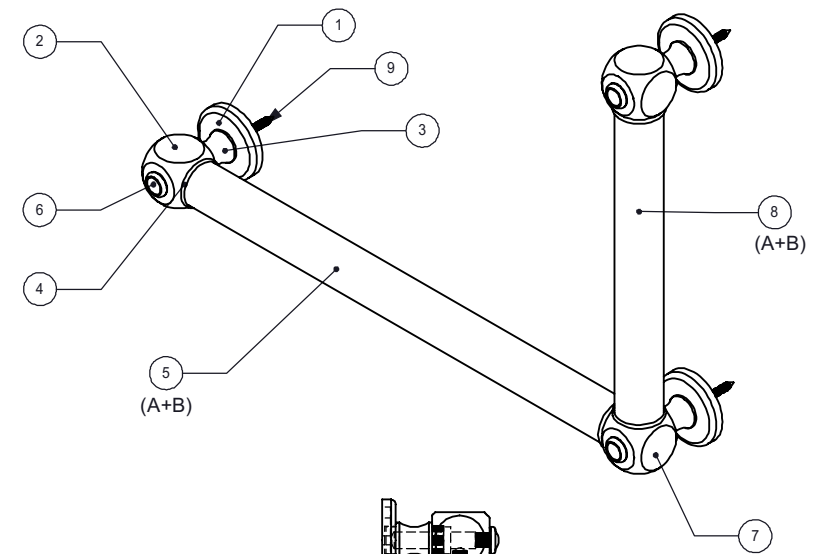


ITEM NO.	PART NUMBER	DESCRIPTION	QTY.
1	BPGBCU	BACKPLATE	3
2	BKGBCU	BRACKET	2
3	PSGBCU	POST	3
4	CRRD-1.38	CHECK RING	4
5(A)	TU1.38-16.5,22.5,28.5	TUBE	1
5(B)	TUBGR1.25-16.5,22.5,28.5	TUBE	1
6	CAPGBCU	CAP	4
7	MBKGBCU	MIDDLE BRACKET	1
8(A)	TU1.38-10.5,16.5,22.5	TUBE	1
8(B)	TUBGR1.25-10.5,16.5,22.5	TUBE	1
9	WOOD SCREW -12	#12 WOOD SCREW	3



CU-GRS-9R - AS SHOWN
 CU-GRR-9R- AS SHOWN
 CU-GRS-9L VERTICAL
 CU-GRR-9L BAR ON LEFT

UNLESS OTHERWISE STATED	
.X	±.3mm
.XX	±.15mm
.XXX	±.008mm

COPYRIGHT © Allied Brass 2023

THIRD ANGLE PROJECTION

DRAWN	1/13/2023	I.M	MATERIAL:	BRASS	FINISH	TBD
CHECKED	1/13/2023	P.D	DESCRIPTION:		QUANTITY	TBD
APPROVED	1/13/2023	R.A	Cube Design 90° Angle Grab Bar		DRAWING No.	REV
					CU-GRS-9	0
					CU-GRR-9	
				SCALE	1:8	SHEET: 01
						A4