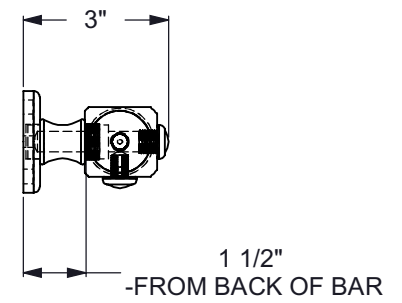
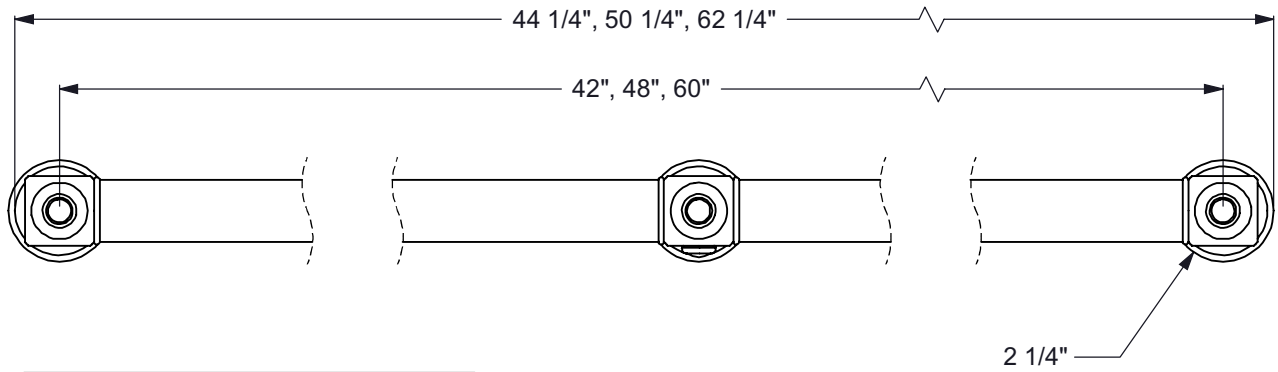
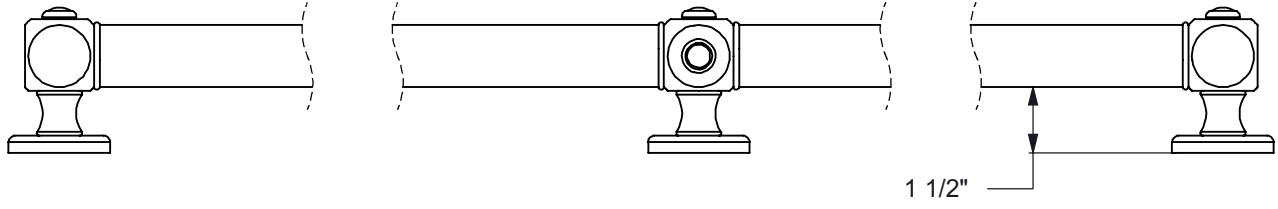
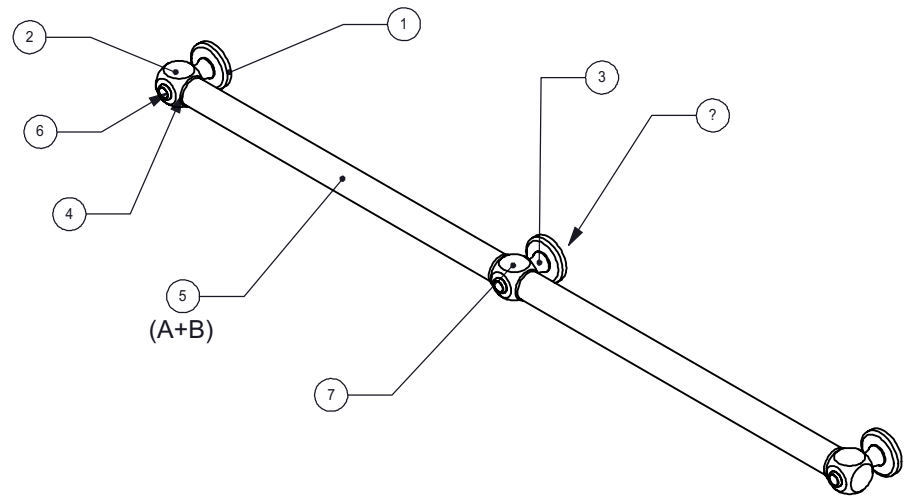


ITEM NO.	PART NUMBER	DESCRIPTION	QTY.
1	BPGBCU	BACKPLATE	3
2	BKGBCU	BRACKET	2
3	PSGBCU	POST	3
4	CRRD-1.38	CHECK RING	4
5(A)	TU138-19.5,22.5,28.5	TUBE	2
5(B)	TUBGR1.25-19.5,22.5,28.5	TUBE	2
6	CAPGBCU	CAP	4
7	MBKGBCU	MIDDLE BRACKET	1
8	WOOD SCREW -12	#12 WOOD SCREW	3

FOR: CU-GRS3
FOR: CU-GRR3



UNLESS OTHERWISE STATED	
.X	±.3mm
.XX	±.15mm
.XXX	±.008mm

COPYRIGHT © Allied Brass 2023



DRAWN	1/13/2023	I.M
CHECKED	1/13/2023	P.D
APPROVED	1/13/2023	R.A

MATERIAL:	BRASS
DESCRIPTION:	Cube Design Grab Bar



FINISH	TBD
QUANTITY	TBD
DRAWING No.	CU-GRS / CU-GRR
REV	0
SCALE	1:4
SHEET	01
A4	