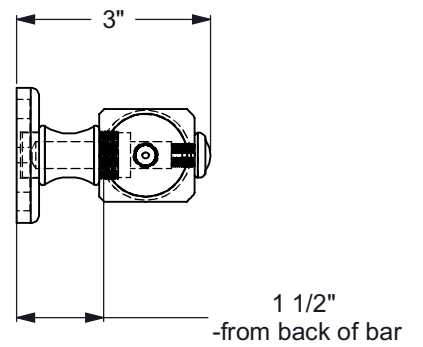
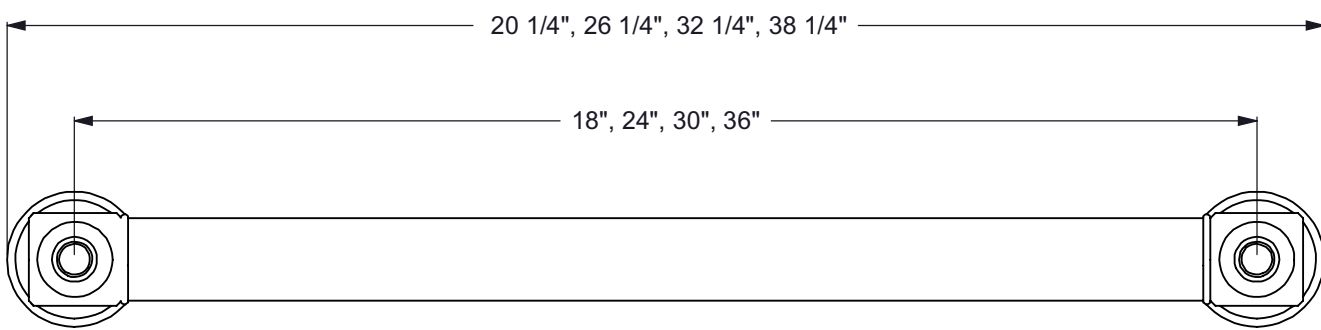
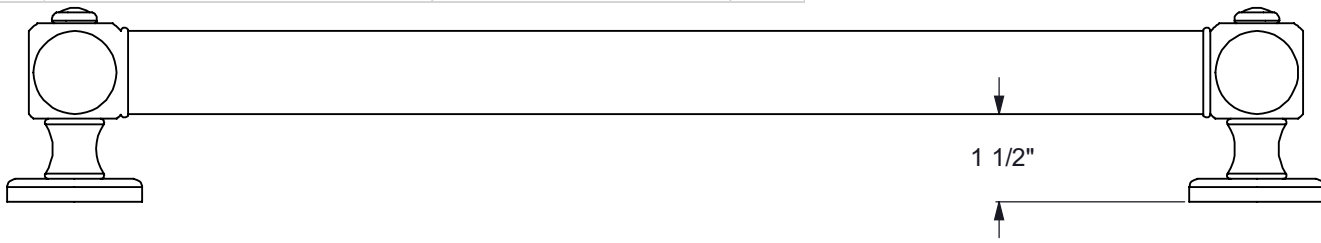
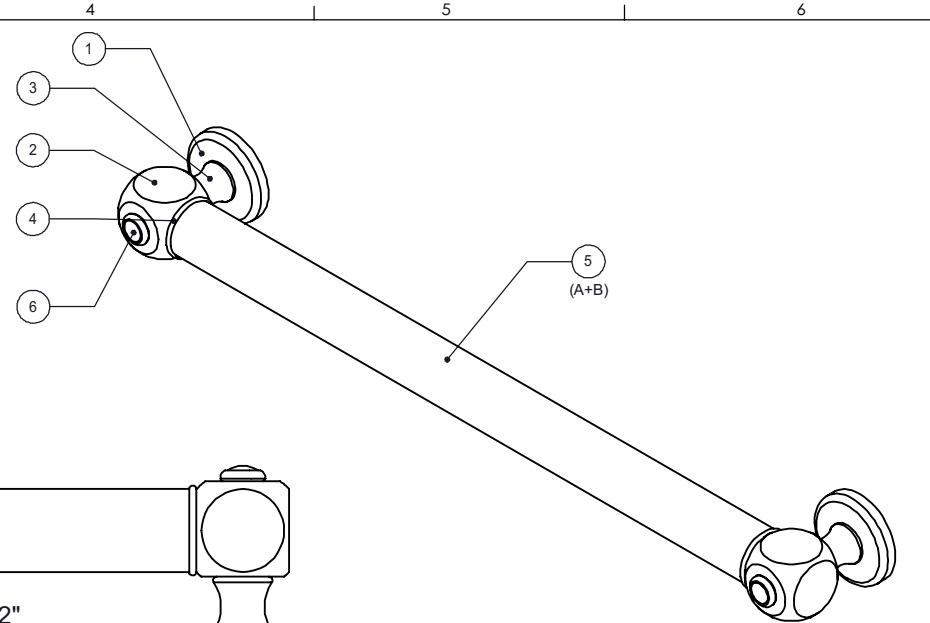


ITEM NO.	PART NUMBER	DESCRIPTION	QTY.
1	BPGBCU	BACKPLATE	2
2	BKGBCU	BRACKET	2
3	PSGBCU	POST	2
4	CRRD-1.38	CHECK RING	2
5(A)	TU138-16.5,22.5,28.5,34.5	TUBE	1
5(B)	TUBGR1.25-16.5,22.5,28.5,34.5	TUBE	1
6	CAPGBCU	CAP	2
7	WOOD SCREW -12	#12 WOOD SCREW	2



UNLESS OTHERWISE STATED	
.X	± .3mm
.XX	± .15mm
.XXX	± .008mm

COPYRIGHT © Allied Brass 2023



DRAWN	1/14/2023	I.M
CHECKED	1/14/2023	P.D
APPROVED	1/14/2023	R.A

MATERIAL:	BRASS
DESCRIPTION:	Cube Design Grab Bar



FINISH	TBD
QUANTITY	TBD
DRAWING No.	CU-GRS/CU-GRR
REV	0
SCALE	1:3
SHEET	01
A4	