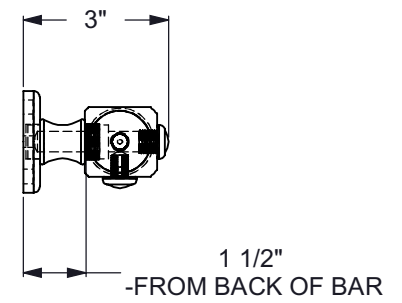
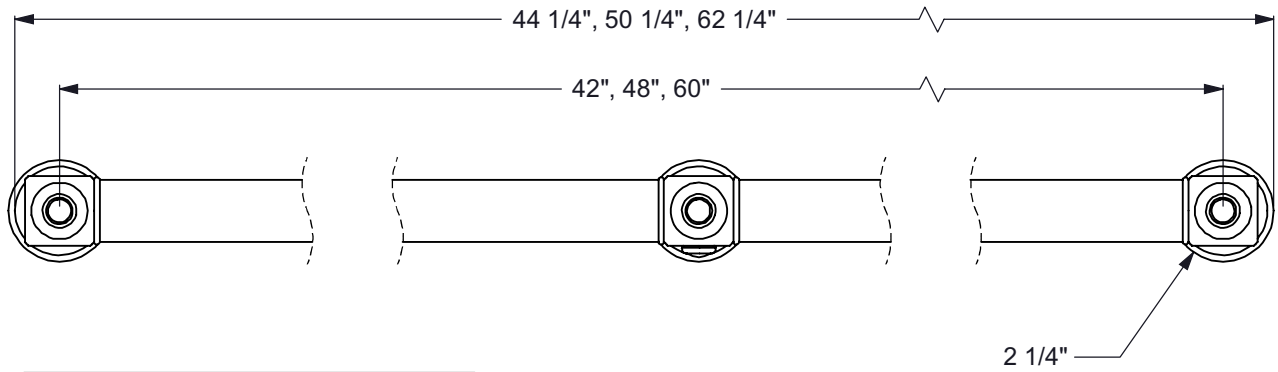
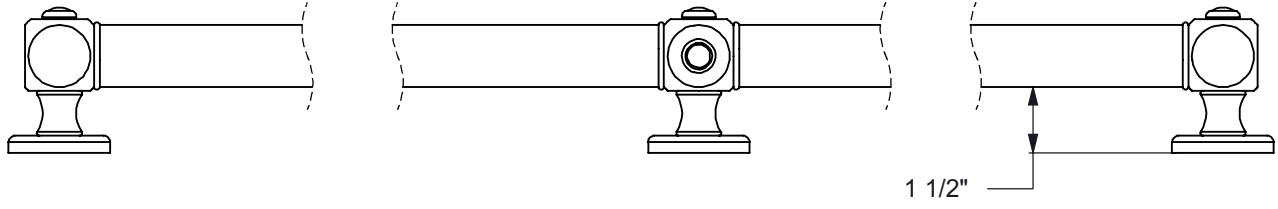
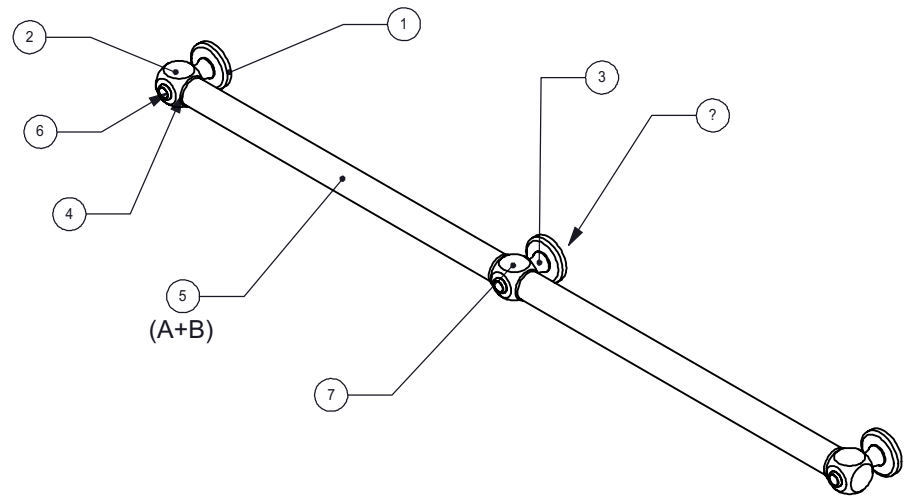


| ITEM NO. | PART NUMBER              | DESCRIPTION    | QTY. |
|----------|--------------------------|----------------|------|
| 1        | BPGBCU                   | BACKPLATE      | 3    |
| 2        | BKGBCU                   | BRACKET        | 2    |
| 3        | PSGBCU                   | POST           | 3    |
| 4        | CRRD-1.38                | CHECK RING     | 4    |
| 5(A)     | TU138-19.5,22.5,28.5     | TUBE           | 2    |
| 5(B)     | TUBGR1.25-19.5,22.5,28.5 | TUBE           | 2    |
| 6        | CAPGBCU                  | CAP            | 4    |
| 7        | MBKGBCU                  | MIDDLE BRACKET | 1    |
| 8        | WOOD SCREW -12           | #12 WOOD SCREW | 3    |

FOR: CU-GRS3  
FOR: CU-GRR3



| UNLESS OTHERWISE STATED |         |
|-------------------------|---------|
| .X                      | ±.3mm   |
| .XX                     | ±.15mm  |
| .XXX                    | ±.008mm |

COPYRIGHT © Allied Brass 2023



|          |           |     |
|----------|-----------|-----|
| DRAWN    | 1/13/2023 | I.M |
| CHECKED  | 1/13/2023 | P.D |
| APPROVED | 1/13/2023 | R.A |

|              |                      |
|--------------|----------------------|
| MATERIAL:    | BRASS                |
| DESCRIPTION: | Cube Design Grab Bar |



|             |                 |
|-------------|-----------------|
| FINISH      | TBD             |
| QUANTITY    | TBD             |
| DRAWING No. | CU-GRS / CU-GRR |
| REV         | 0               |
| SCALE       | 1:4             |
| SHEET       | 01              |
| A4          |                 |