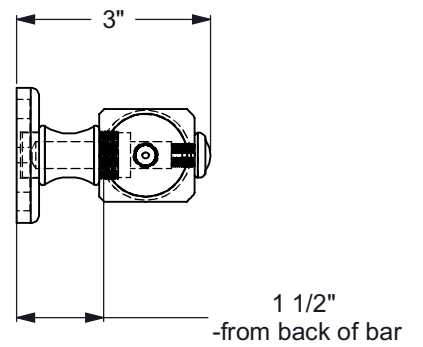
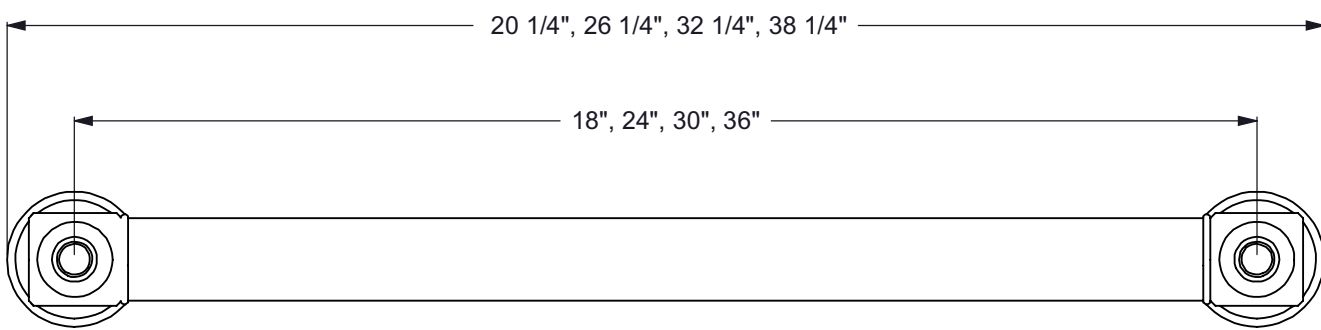
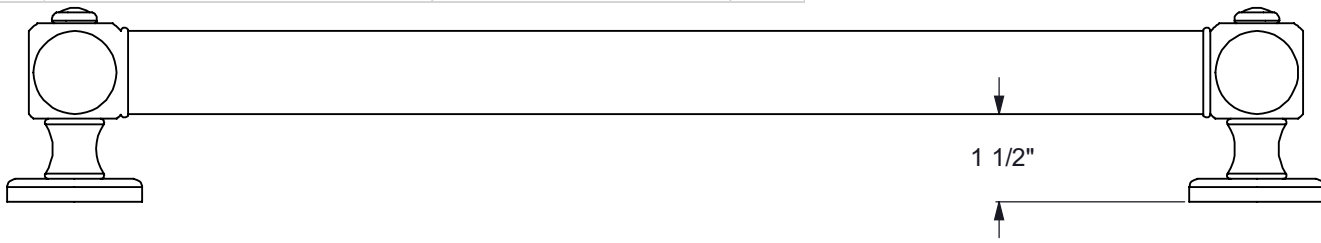
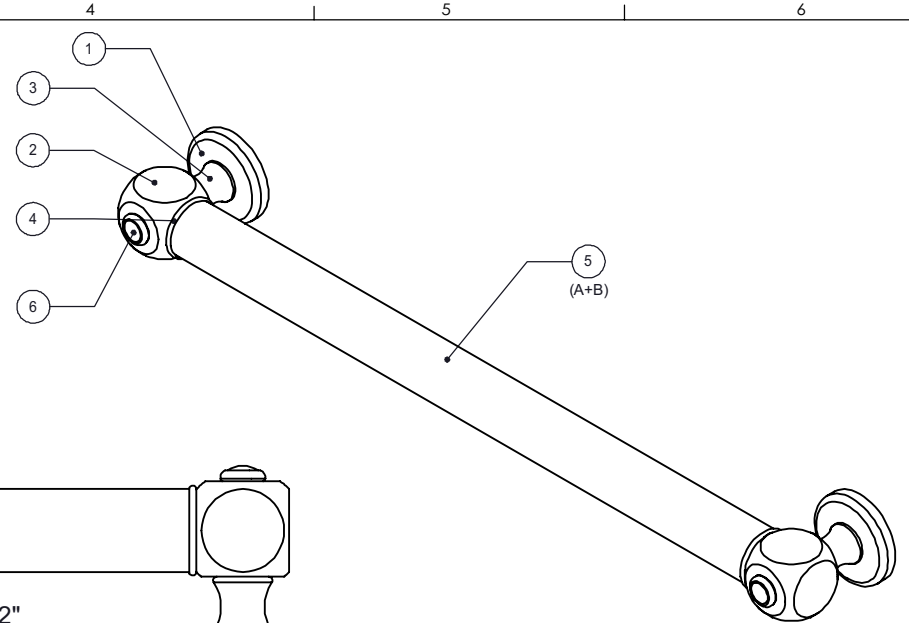


| ITEM NO. | PART NUMBER | DESCRIPTION | QTY. |
|----------|-------------------------------|----------------|------|
| 1 | BPGBCU | BACKPLATE | 2 |
| 2 | BKGBCU | BRACKET | 2 |
| 3 | PSGBCU | POST | 2 |
| 4 | CRRD-1.38 | CHECK RING | 2 |
| 5(A) | TU138-16.5,22.5,28.5,34.5 | TUBE | 1 |
| 5(B) | TUBGR1.25-16.5,22.5,28.5,34.5 | TUBE | 1 |
| 6 | CAPGBCU | CAP | 2 |
| 7 | WOOD SCREW -12 | #12 WOOD SCREW | 2 |



| | |
|-------------------------|----------|
| UNLESS OTHERWISE STATED | |
| .X | ± .3mm |
| .XX | ± .15mm |
| .XXX | ± .008mm |

COPYRIGHT © Allied Brass 2023



| | | |
|----------|-----------|-----|
| DRAWN | 1/14/2023 | I.M |
| CHECKED | 1/14/2023 | P.D |
| APPROVED | 1/14/2023 | R.A |

| | |
|--------------|----------------------|
| MATERIAL: | BRASS |
| DESCRIPTION: | Cube Design Grab Bar |



| | |
|-------------|---------------|
| FINISH | TBD |
| QUANTITY | TBD |
| DRAWING No. | CU-GRS/CU-GRR |
| REV | 0 |
| SCALE | 1:3 |
| SHEET | 01 |
| A4 | |