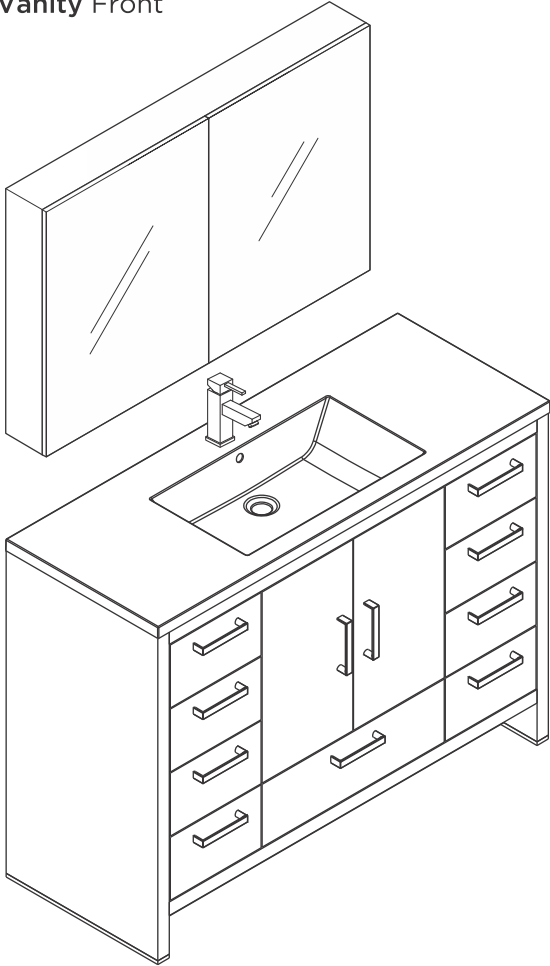


FVN9448
SENZA
INSTALLATION GUIDE

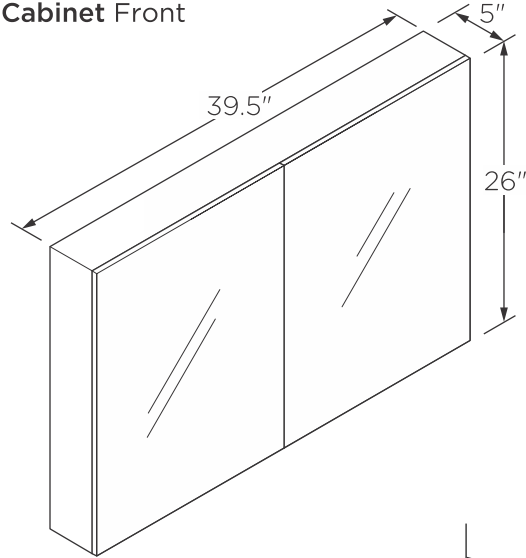
kitchensource.com
1.800.667.8721



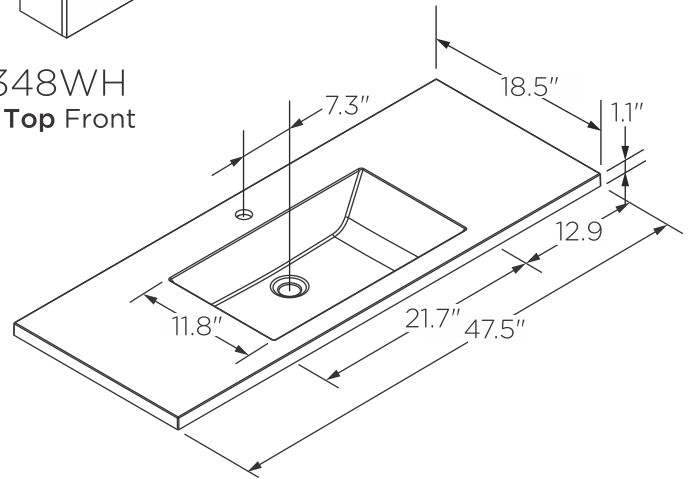
FVN9448
Vanity Front



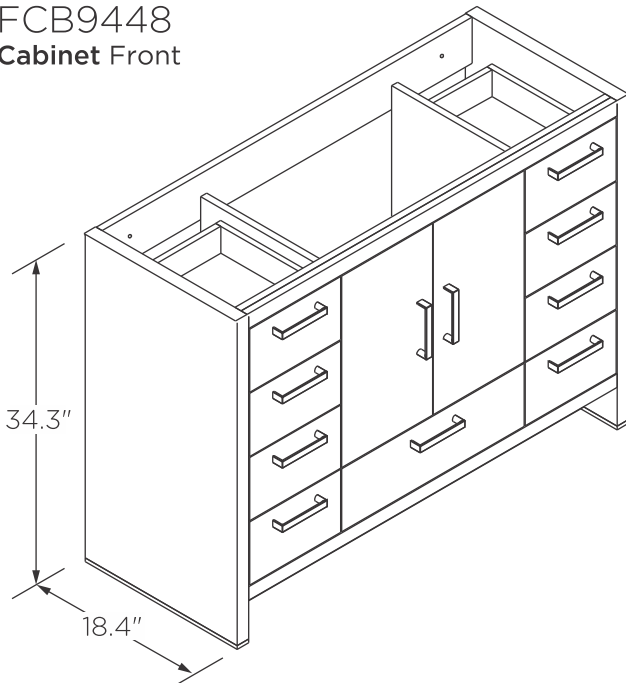
FMC8010
Medicine Cabinet Front



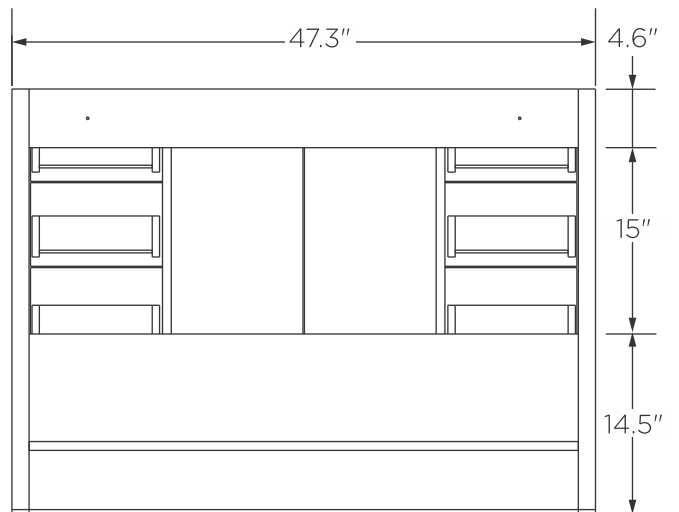
FVS9348WH
Counter Top Front



FCB9448
Cabinet Front



FCB9448
Cabinet Back



NOTE: All dimensions & specifications are approximate and subject to change without notice.