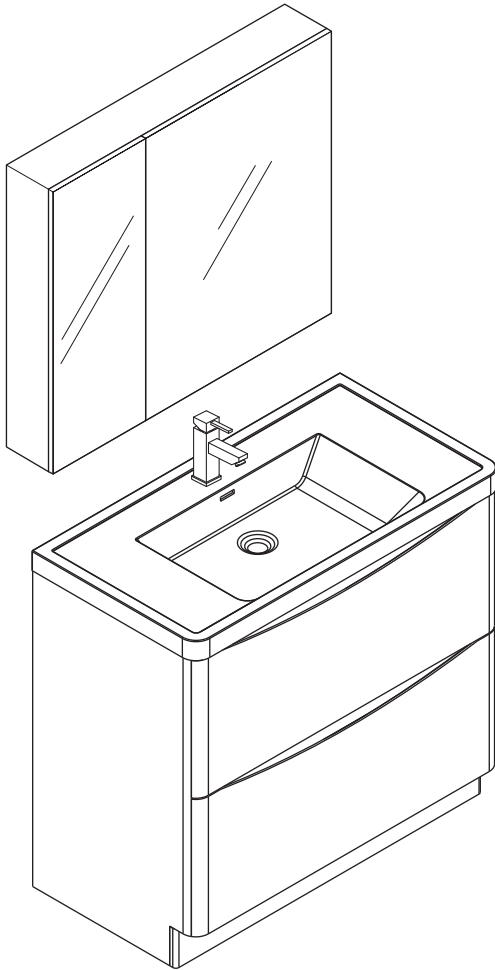


**FVN9136**  
**SENZA**  
INSTALLATION GUIDE

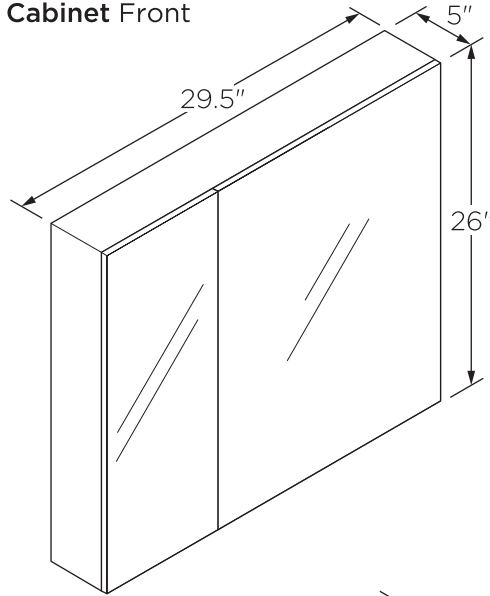
**kitchensource.com**  
1.800.667.8721



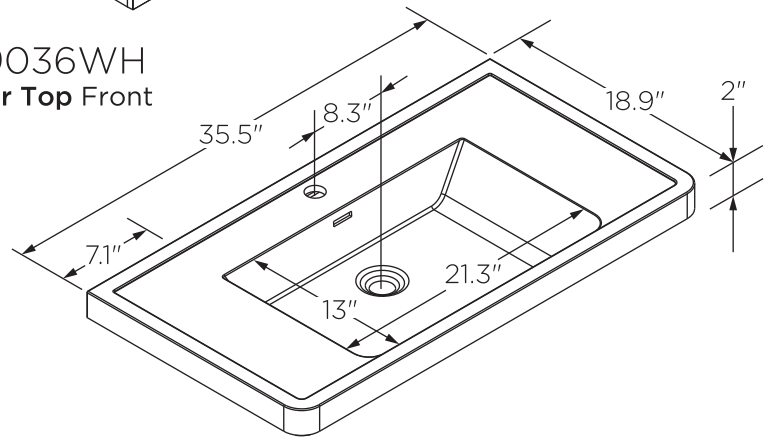
**FVN9136**  
Vanity Front



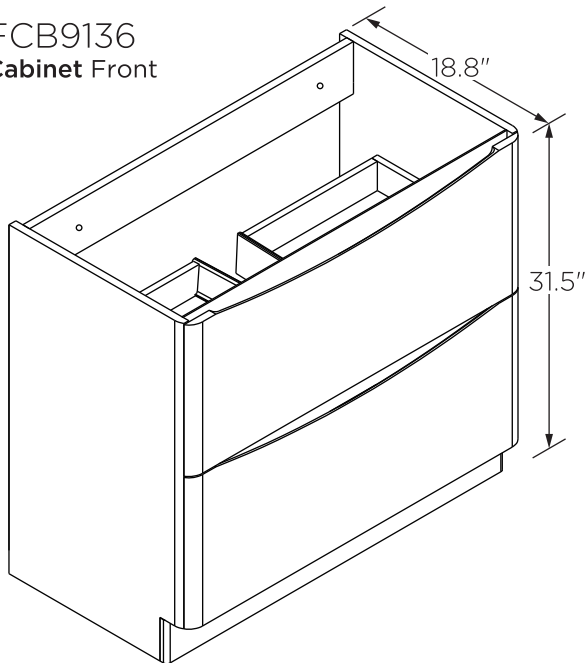
**FMC8090**  
Medicine Cabinet Front



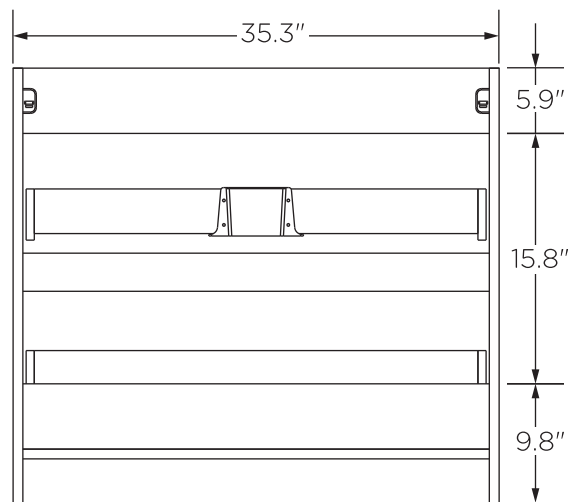
**FVS9036WH**  
Counter Top Front



**FCB9136**  
Cabinet Front



**FCB9136**  
Cabinet Back



**NOTE:** All dimensions & specifications are approximate and subject to change without notice.