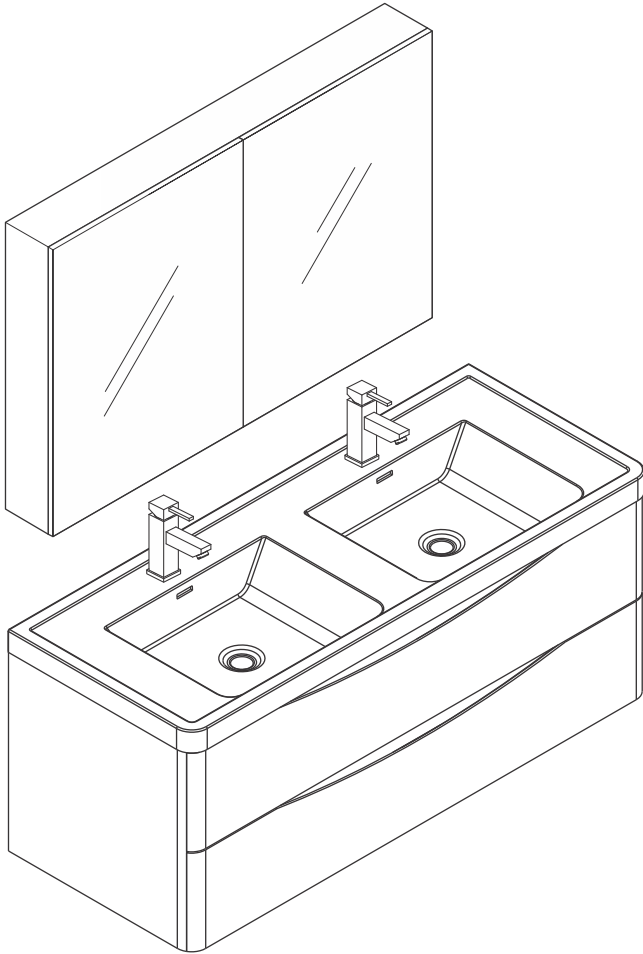


**FVN9048-D**  
**SENZA**  
INSTALLATION GUIDE

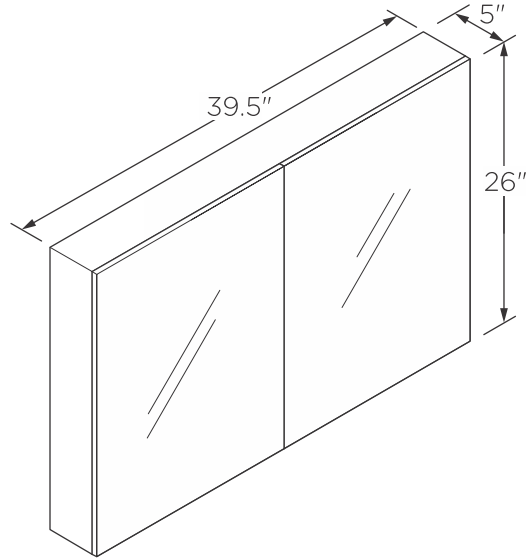
**kitchensource.com**  
1.800.667.8721



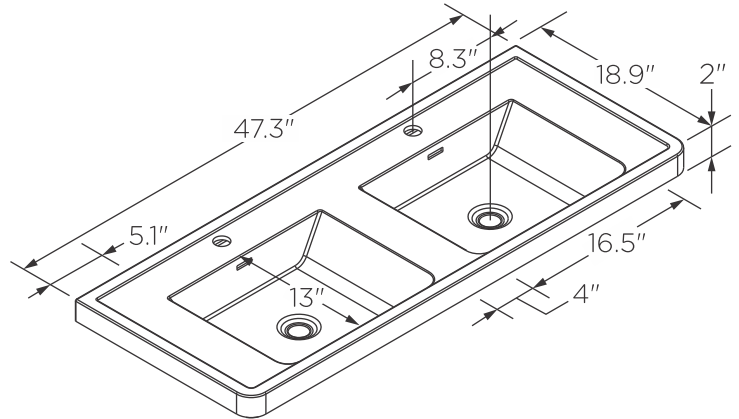
**FVN9048-D**  
**Vanity Front**



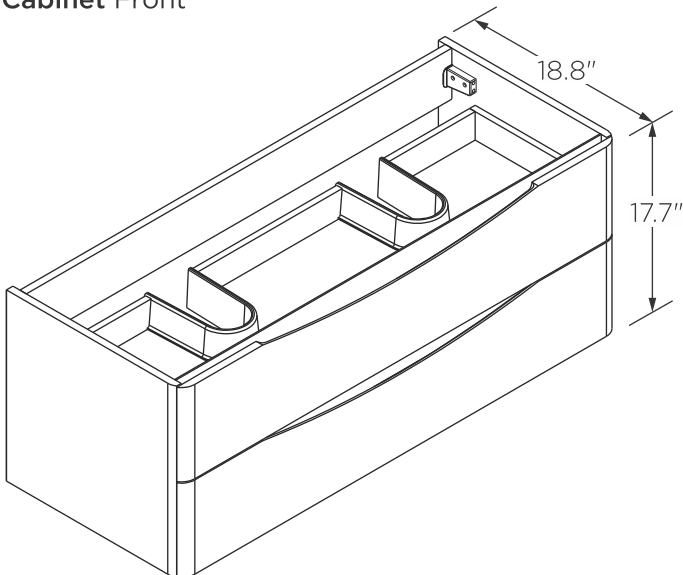
**FMC8010**  
**Medicine Cabinet Front**



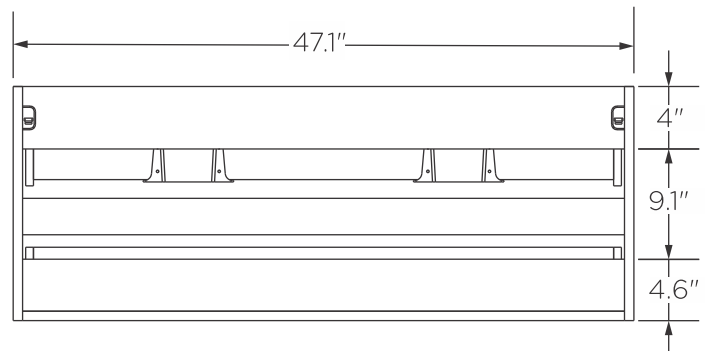
**FVS9048WH-D**  
**Counter Top Front**



**FCB9048-D**  
**Cabinet Front**



**FCB9048-D**  
**Cabinet Back**



**NOTE:** All dimensions & specifications are approximate and subject to change without notice.