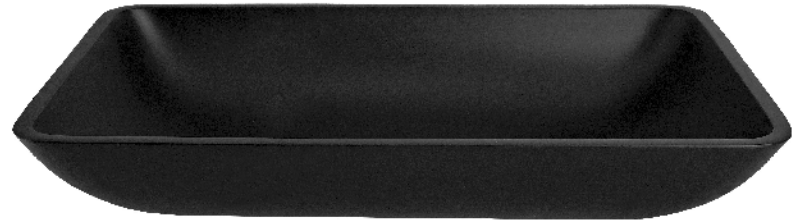


MODEL NUMBER / NÚMERO DE MODELO

VG07112

DIMENSIONS / DIMENSIONES

Exterior Height / Altura exterior	4 3/4" [110mm]
Exterior Width / Ancho exterior	14 3/8" [365mm]
Exterior Length / Longitud exterior	22 1/4" [565 mm]
Interior Width / Ancho interior	13 3/8" [341mm]
Interior Length / Longitud Interior	21 1/4" [541 mm]
Standard Drain Opening / Diámetro estándar del desagüe	1 3/4" [45 mm]
Thickness / Espesor	1/2" [12 mm]



FEATURES / CARACTERÍSTICAS

- MatteShell™ pure black tone / MatteShell™ de color negro puro
- Fingerprint-free coating / Recubrimiento contra huellas dactilares
- Solid tempered matte black glass / Vidrio negro mate templado sólido
- Fits pop up drains without overflow / Apropiado para válvulas de tipo Pop-Up sin desbordamiento
- Vessel Mount Installation / Instalación con soporte para la vasija
- Limited Lifetime Warranty / Garantía Limitada de Por Vida

PACKAGE CONTENTS / CONTENIDO DEL PAQUETE

- Sink / Lavabo

⚠ The VIGO vessel bowl sink does not have an overflow. Make sure to install a pop-up drain without overflow for use with this sink.

El lavabo tipo vasija de VIGO no tiene desbordamiento. Asegúrese de instalar una válvula de tipo Pop-Up sin desbordamiento para usarla con este lavabo.

REGISTER YOUR PRODUCT / REGISTRE SU PRODUCTO

In order to activate your warranty, you must register your product.

Es necesario registrar su producto para activar su garantía

ACTIVATE NOW
¡ACTÍVELA AHORA

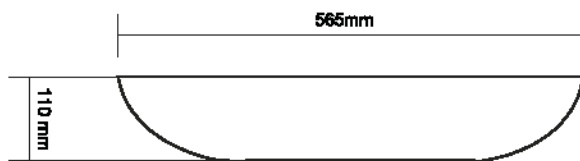
NOTE / NOTA

- All VIGO vessel bowls are handmade. / Todos los lavabos tipo vasija de VIGO son hechos a mano.
- Installation must be performed by a qualified, licensed plumber. / La instalación debe ser realizada por un plomero calificado y con licencia.
- Though resistant to breakage, vessel sinks may break or chip if a heavy object falls in or on them. / Aunque son resistentes a las roturas, los lavabos tipo vasija pueden romperse o astillarse si un objeto pesado cae sobre o dentro de ellos.

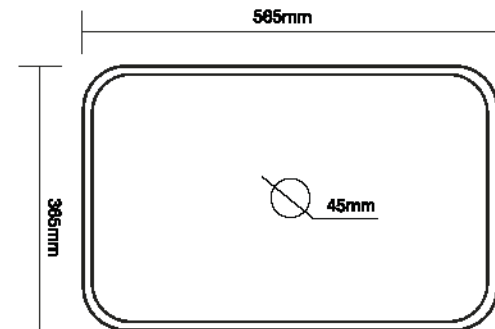
MODEL NUMBER / NÚMERO DE MODELO

VG07112

MEASUREMENTS / MEDIDAS



FRONT VIEW / VISTA FRONTAL



TOP VIEW / VISTA SUPERIOR

RECOMMENDED TOOLS / HERRAMIENTAS RECOMENDADAS



Tape Measure / Cinta métrica



Adjustable Wrench (for pop-up Installation) / Llave regulable (para instalar la válvula tipo Pop-Up)



Pencil / Lápiz

NOTE:

Drill hole size in counter top Ø1 3/4"

Glass thickness 1/2"

Glass length and height may vary up to 1/4"

NOTA:

Diámetro del orificio a perforar en la encimera: 1 3/4"

Espesor del vidrio: 1/2"

La longitud y la altura del vidrio pueden variar hasta en 1/4"

WARNING / ADVERTENCIA



Installation must be done by a qualified licensed plumber. / La instalación debe llevarla a cabo un plomero con licencia.



Prior to installation please read the instructions thoroughly, confirm that all parts are included and visually inspect the unit for any defects. / Antes de la instalación, sírvase leer con atención las instrucciones, confirmar que estén incluidas todas las piezas y llevar a cabo una inspección visual de la unidad para ver si tiene defectos.



If you have any questions please contact the VIGO Product Support Department before proceeding with installation. / Si tiene alguna pregunta, sírvase comunicarse con el Servicio Técnico de Productos VIGO antes de comenzar con la instalación.



The VIGO vessel bowl sink **does not** have an overflow. Be sure to install drain without an overflow / El lavabo de tipo vasija **no tiene** desbordamiento. Asegúrese de instalar el desagüe sin desbordamiento.

CERTIFICATE & WARRANTY / CERTIFICADO & GARANTÍA



cUPC, certified by IAPMO R&T, ADA compliant

All VIGO Bathroom Sinks have a Limited Lifetime Warranty

Certificado cUPC por IAPMO R&T, Cumple con la ADA

Todos los lavabos VIGO tienen una Garantía Limitada de Por Vida

MODEL NUMBER / NÚMERO DE MODELO

VG07112

PRIOR TO INSTALLATION / ANTES DE INSTALAR

- Please inspect your working surface, making sure it is level and clean.
- Keep the product in its original box until you're ready to install it.
- Observe all plumbing and building codes in your area.
- We recommend that this product be installed by a qualified licensed plumber/ contractor.
- Unpack your new product and ensure that all the parts are contained in the packaging.
- Shut off the water supply if replacing a previously-installed vessel sink.
- Before installation, please make sure this product is the correct model and you have all the parts and tools required for installation and use:
 - Vessel sink
 - Pop up drain (optional / may be sold separately)
 - Mounting ring (optional / may be sold separately)
- Determine the layout for the sink you desire.
- Leave enough clearance behind the faucet for operation of the handle.
- Position the faucet so it does not interfere with the sink.
- Check that the water flow from the faucet makes contact with the sink in the desired position.
- The sink can be mounted to the countertop with or without a mounting ring stand. It is highly recommended that the customer utilize the stand. This will allow for proper cleaning around the exterior of the bowl and will make sure that there is no direct contact between your bowl and desired countertop.

The stand is an optional purchase and is not included in with the purchase of the vessel bowl. The stand comes as a free accessory with a VIGO style pop up drain. If you decide not to purchase the VIGO style pop up drain, the stand can be purchased through the VIGO product support department.

- Please read these instructions carefully and keep them for future reference.

MODEL NUMBER / NÚMERO DE MODELO

VG07112

SAFETY TIPS / CONSEJOS DE SEGURIDAD

- Installation must be done by a qualified, licensed plumber. The contractor must perform a dry fit prior to drilling holes in the counter top for the sink.
 - To avoid risk of personal injury or product damage, handle with care. Glass may break or chip if the product is handled incorrectly.
 - Drill hole size in countertop for the lavatory sink is 1 3/4" diameter.
 - All VIGO vessel bowls are handmade. You may expect variations in color, texture and bowl symmetry. If you notice any obvious variations or defects, please contact your retailer immediately.
-

- La instalación debe ser realizada por un plomero calificado y con licencia. El contratista deberá tomar las medidas en seco antes de perforar los orificios en la encimera del lavabo.
- Para evitar todo riesgo de lesiones personales o daños al producto, manipule el lavabo con cuidado. El vidrio puede romperse o astillarse si el producto es manipulado sin las precauciones debidas.
- El diámetro de la mecha del taladro para perforar la encimera del lavabo es de 1 3/4".
- Todos los lavabos tipo vasija de VIGO son hechos a mano. Es probable que haya variaciones en el color, la textura y la simetría de la vasija. Póngase inmediatamente en contacto con su vendedor si observa alguna variación o defecto obvio.

MODEL NUMBER / NÚMERO DE MODELO

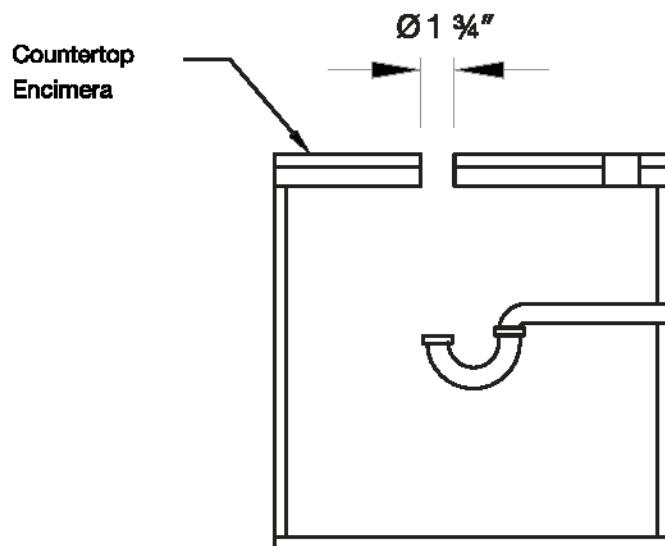
VG07112

SINK INSTALLATION / INSTALACIÓN DEL LAVABO

NOTE: Installation must be done by a qualified, licensed plumber. The contractor must perform a dry fit prior to drilling holes in the counter top for the sink.

NOTA: La instalación debe ser realizada por un plomero calificado y con licencia. El contratista debe realizar un ajuste en seco antes de perforar los orificios en la encimera del lavabo.

STEP 1 / PASO 1



Step 1: Mark and drill $\text{Ø } 1 \frac{3}{4}''$ hole on countertop for drain placement.

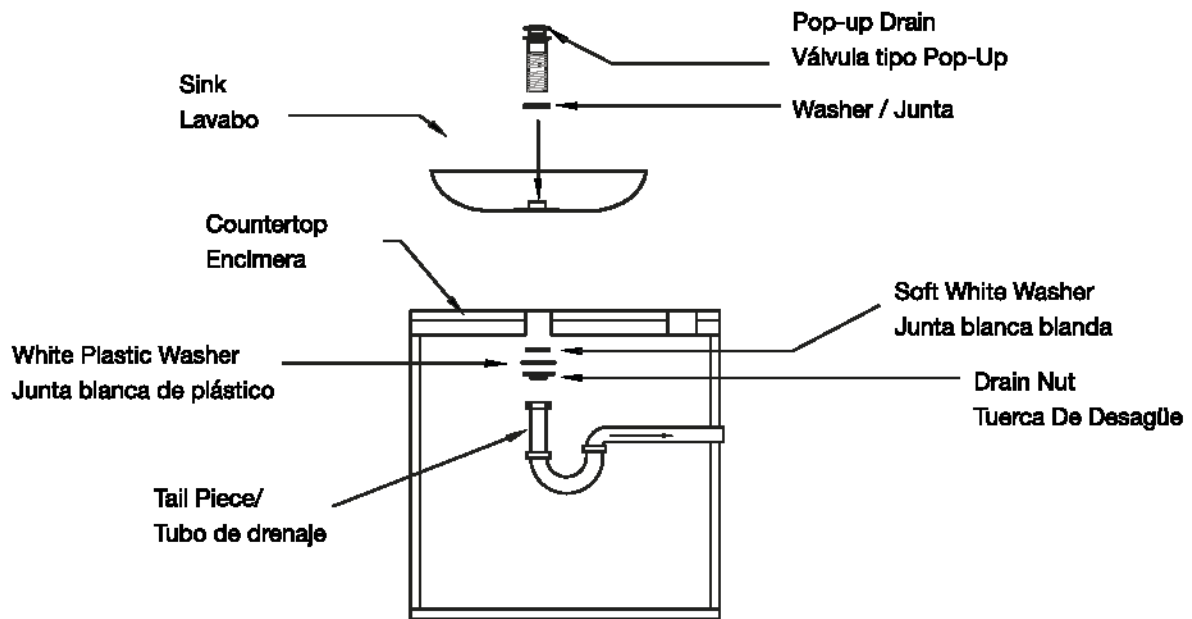
Paso 1: Marque y perforo un orificio de $1 \frac{3}{4}''$ de diámetro en la encimera para colocar el desagüe.

MODEL NUMBER / NÚMERO DE MODELO

VG07112

SINK INSTALLATION / INSTALACIÓN DEL LAVABO

STEP 2 / PASO 2



DO NOT OVERTIGHTEN THE DRAIN / NO APRIETE EL DESAGÜE EN EXCESO

Step 2: Place the sink on the stand on the countertop and install the appropriate pop-up drain.

Paso 2: Coloque el lavabo en el soporte sobre la encimera e instale la válvula tipo Pop-Up adecuada.