

INSTALLATION GUIDE

(Drop-in Bath)

Required Tools

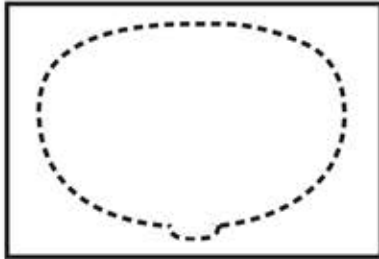


ATTENTION

This product requires professional installation. Please provide your countertop fabricator with this information. Please observe all state and local building and plumbing codes.

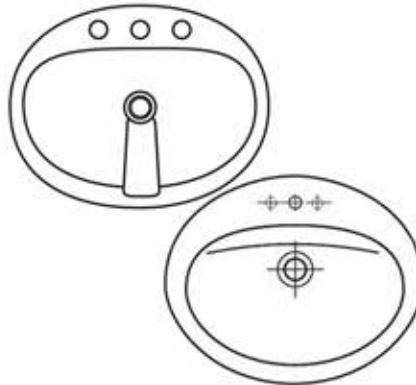
TEMPLATE/GUIDE

The template provided is to be used as a guide for cutting. Due to the nominal dimensions and installation preference, some customization will be required. In some instances a template may not be included. If this is the case, the countertop fabricator will make a custom template based upon the sink itself.



WARNING

Before installation, please inspect your product for any damage that may have occurred during shipping. If the product was damaged in the shipping process or your product needs to be returned for another reason, it must be in the original packaging. If the product is not returned with the original packaging you may not be eligible for a refund of the purchase price. Return fees may apply. Please contact your dealer for more information.



HOMEOWNERS

Please read before installation.

REPLACEMENT

If replacing a pre-existing hole, make sure that the model you have chosen is larger than the existing hole. This will allow for any adjustments that might be needed for the installation process.

WHAT'S INCLUDED

Drop in ceramic sink

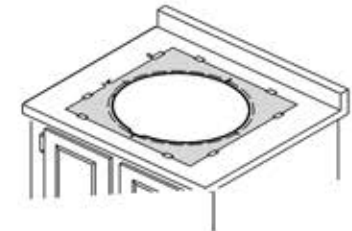
WHAT'S NOT INCLUDED

Silicone Sealant/Adhesive

PREP

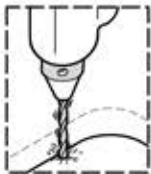
For proper adhesion, please make sure that the rim is clean, dry and dust free.

1. Use template or create a template from the actual sink using underside to create a cutout shape.
2. Cut out center of template.
3. Place template on countertop and trace the cut-out line



Step: 1

1. Drill a pilot hole in the counter top.



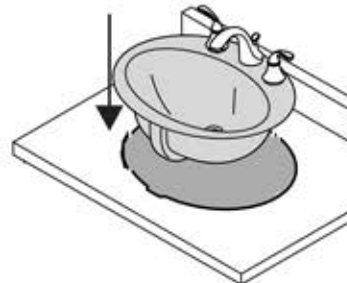
2. Using the recommended tool for the counter material, cut along the inside of the traced line



Step: 2

INSTALLATION

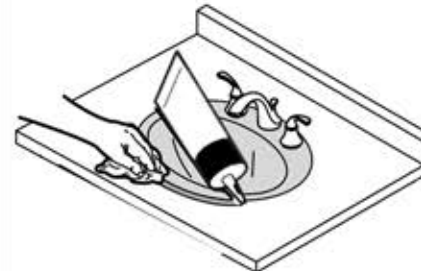
1. Insert the faucet if there are faucet holes in the sink.
2. Fit the sink into the cut out to ensure it fits.
3. Make any adjustments if necessary.



Step: 3

INSTALLATION- Cont'd.

1. Apply sealant to the outer edge where sink meets counter top. Fill any voids.
2. Wipe away any excess sealant.
3. Allow to dry /cure.



Step: 4

Install faucet, drain connections, and plumbing as recommended by the manufacturers specifications.