

Kräus[®]

INSTALLATION MANUAL

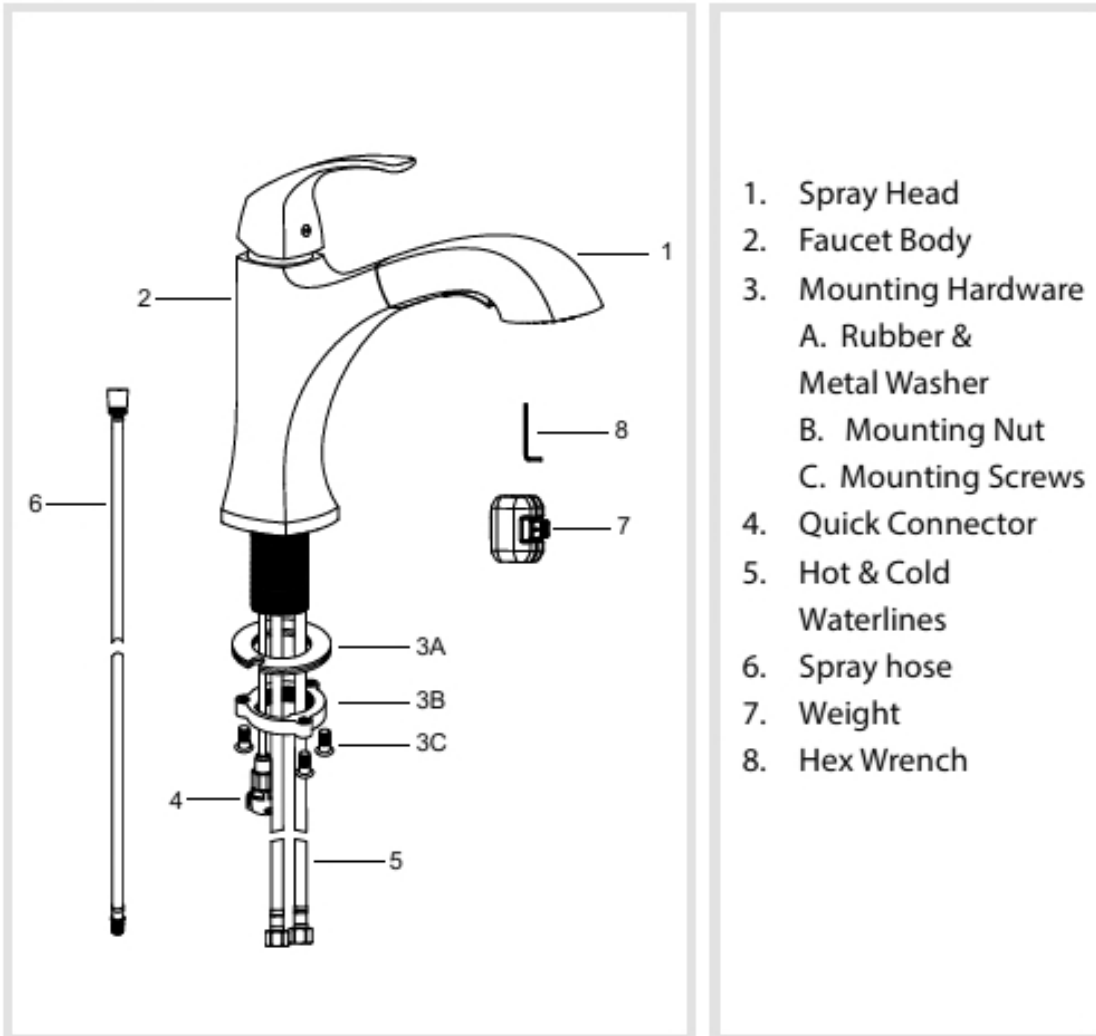
Single Handle Kitchen Faucet

KPF-2252

Prior to Installation:

- Turn off the cold and hot water at the angle stops and turn on the old faucet to release any built up pressure
- Flush angle stops to release any debris prior to installation
- Pre-drilled hole size requirement: 1-3/8" (min) – 1-1/2" (max)
- Max countertop thickness: 1-3/8
- 1 hole installation and 2 or 3 with optional deck plate (not included)

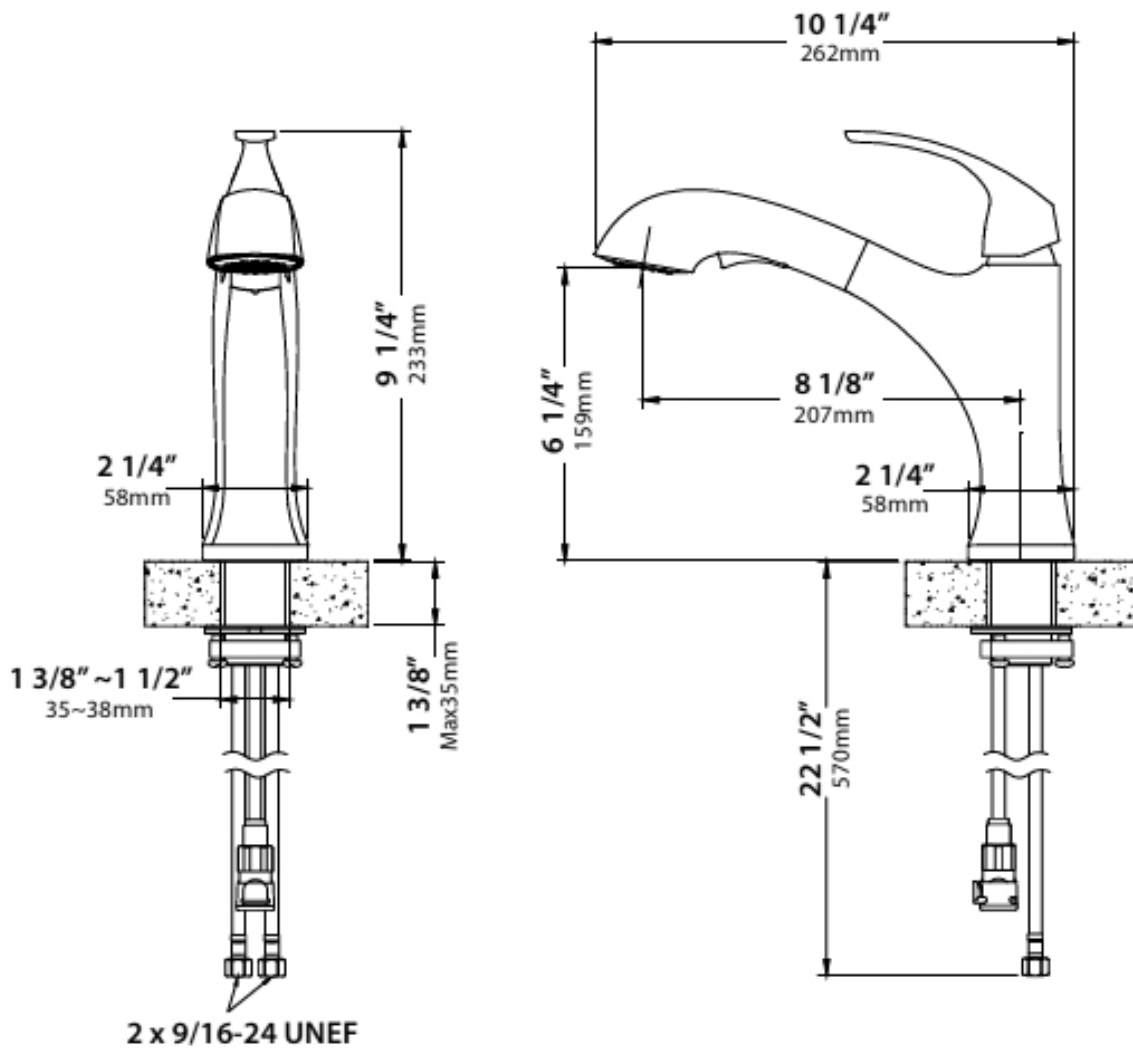
Diagram and Parts List



Tools you will need



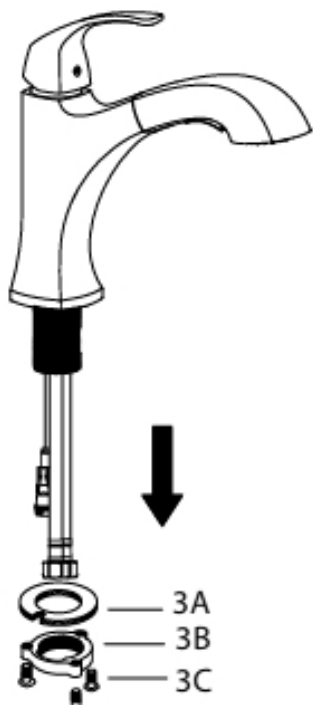
Faucet Dimension



Installer Tip:

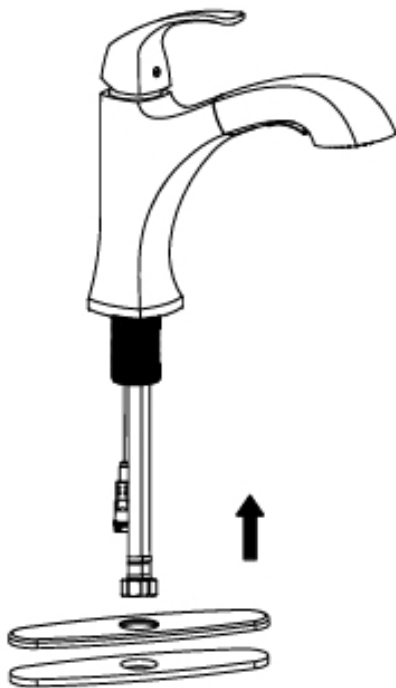
Shut off main water supply before installing new faucet

Step 1: Remove mounting hardware



Remove the mounting screws (3C), mounting nut (3B), and rubber & metal washer (3A) from the mounting pipe

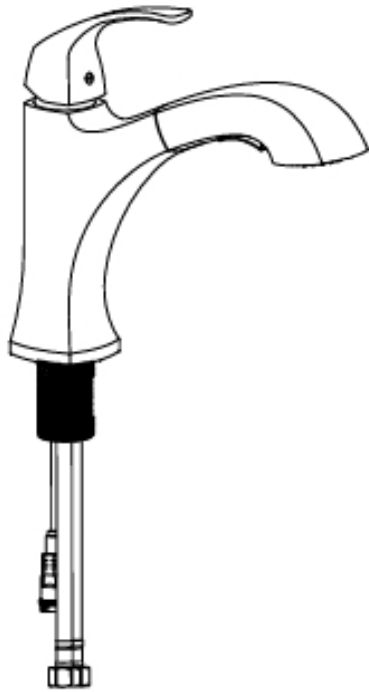
Step 2A: Faucet installation - with deck plate



For three-hole installation: Deck plate, base plate (see below), and silicone sealant (optional) are required

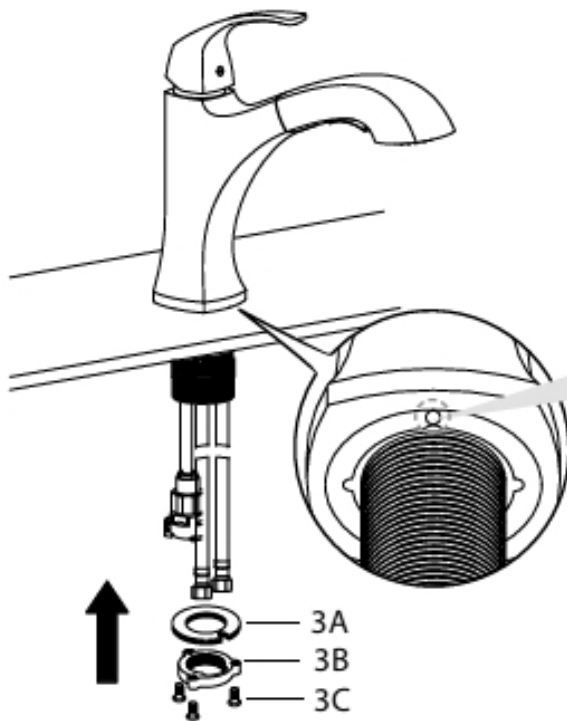
Note: optional deck plate DP02, not included

Step 2B: Faucet installation - without deck plate



For single-hole installation:
Deck plate, base plate, and
silicone sealant are **NOT**
required

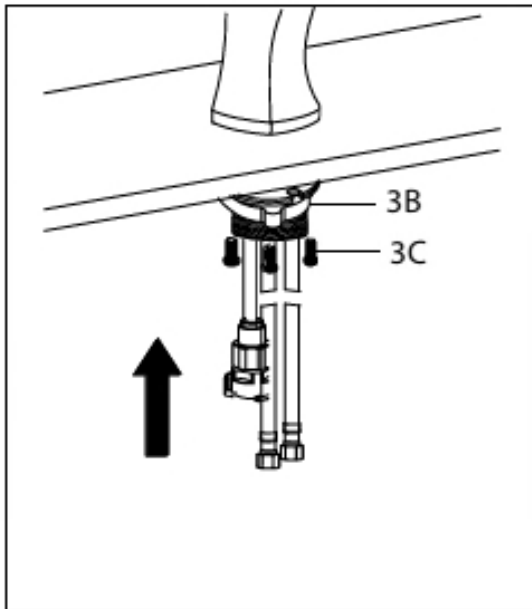
Step 3: Install faucet and mounting hardware



Insert faucet body (2) into
hole in countertop or deck
plate assembly . Install
mounting hardware (3A, B
& C) from underneath the
countertop

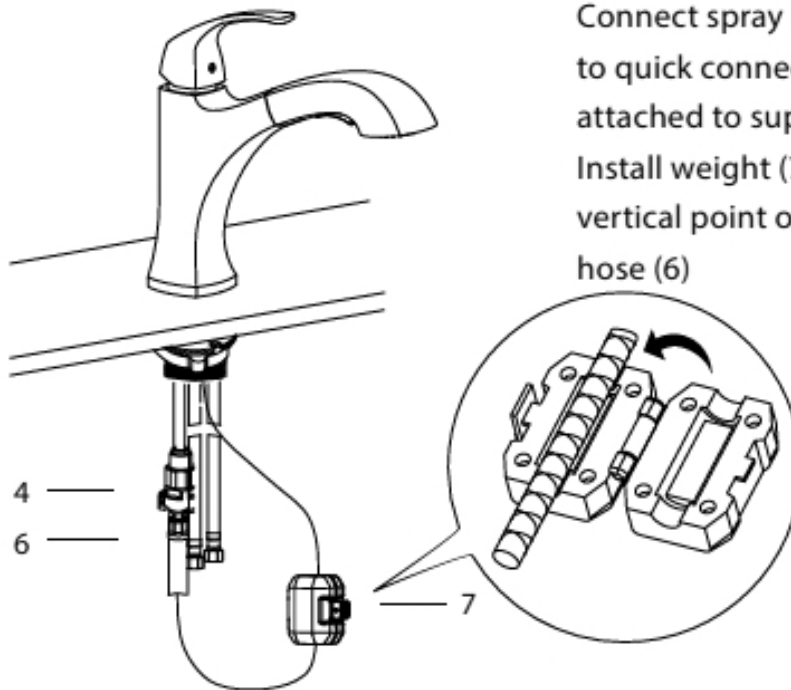
NOTE: The white dot on
the base of the faucet
should be facing forward.

Step 4: Secure mounting hardware



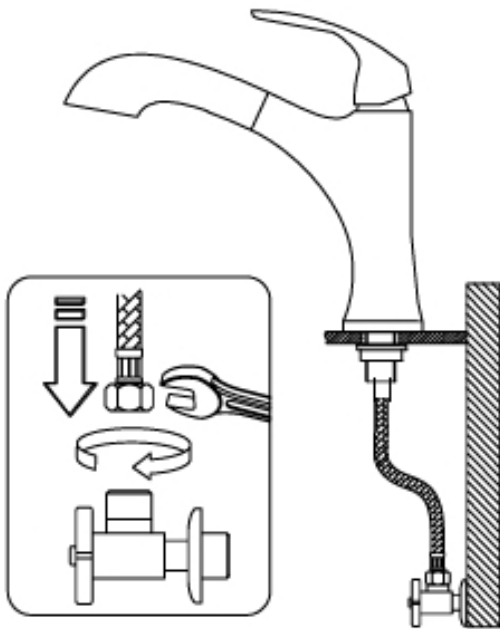
Adjust direction of faucet body (2) so that handle is on right side of faucet. Tighten mounting nut (3B) until snug. Tighten mounting screws (3C) to nut with Phillips screwdriver until snug

Step 5: Attach spray hose and counterweight



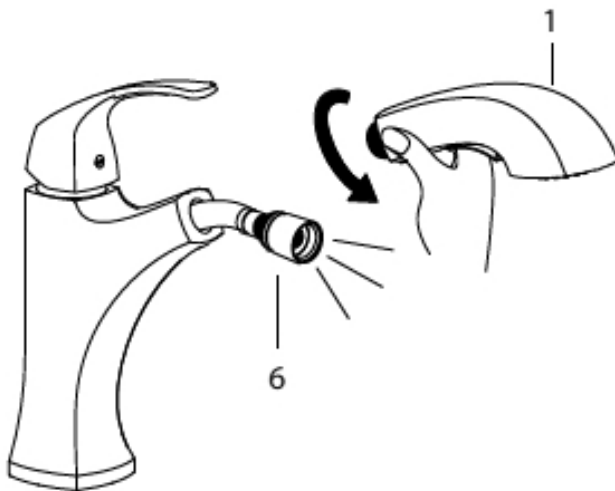
Connect spray hose (6) to quick connector (4) attached to supply line. Install weight (7) on lowest vertical point on spray hose (6)

Step 6: Connect waterlines



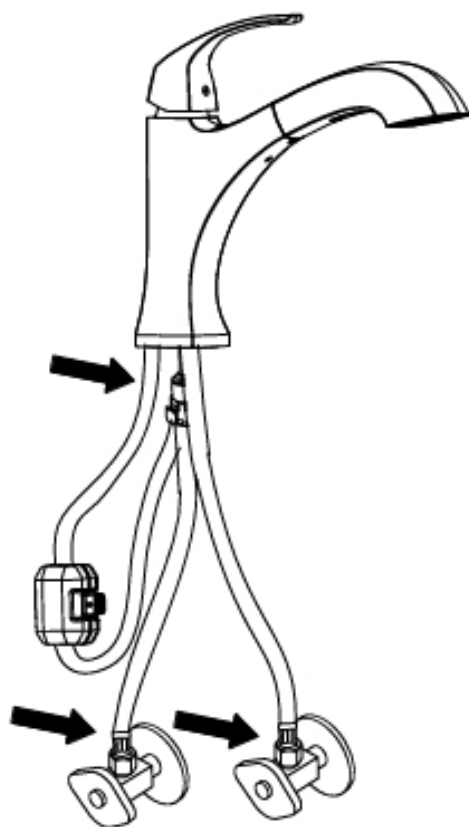
Connect waterlines (5) to angle stops. Tighten both ends of waterlines with a wrench until snug. Turn on hot and cold angle stops and check for leaks

Step 7: Flush spray hose



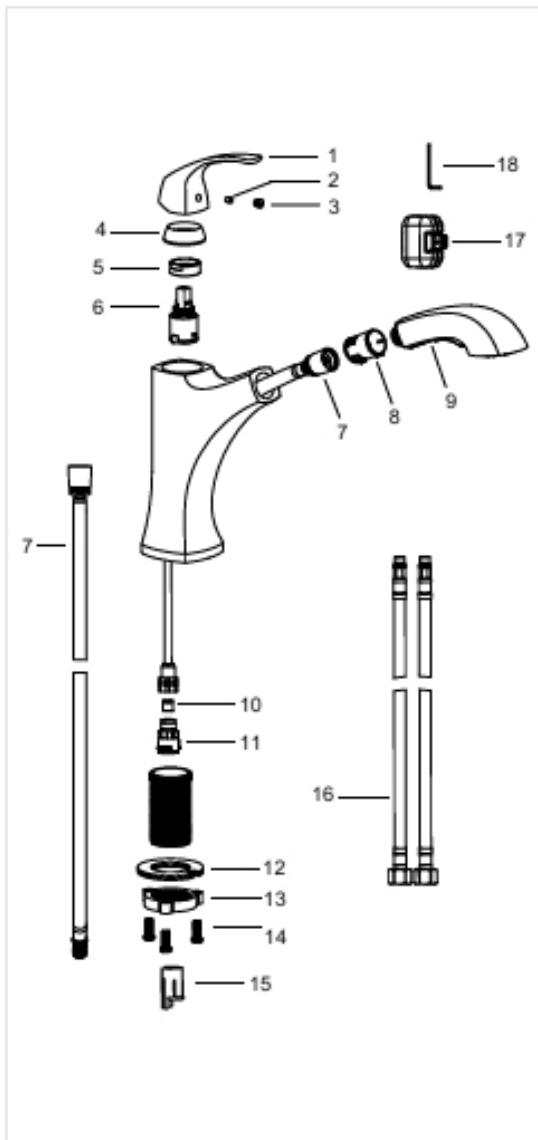
Remove spray head (1) from spray hose (6). Hold tip of spray hose (6). Turn faucet on and let the water run for 30 seconds to flush any debris

Step 8: Check for leaks



Check for leaks at the connections. Retighten if necessary

Replacement Parts



Replacement Parts List	Finish / Color	Part #
1. Metal Handle	CH,SFS,MB	KP06002
2. Set Screw		KP06055
3. Handle Button	CH,SFS,MB	KP06030
4. Cartridge Cover	CH,SFS,MB	KP06020
5. Locking Nut		KP06018
6. Cartridge		KP06100
7. Spray Hose	CH,SFS,MB	KP06097
8. Hose guide		KP06045
9. Spray Head	CH,SFS,MB	KP06090
10. Check Valve		KP06104
11. Quick Connector		KP06108
12. Rubber & Metal Washer		KP06042
13. Mounting Nut		KP06067
14. Mounting Screws		KP06068
15. Protective Sleeve		KP06057
16. Hot & Cold Waterlines		KP06095
17. Weight		KP06015
18. Hex Wrench		KP06050

Care & Maintenance

*To keep the product clean & shining, follow the steps below:

1. Rinse with clean water & dry with a soft cloth
2. Do not clean with soaps, acid, polish, abrasives, or harsh cleaners
3. Do not use cloth with a coarse surface
4. Unscrew the aerator and clean when necessary



*This installation manual is subject to change without further notice.

Trouble - Shooting

If you have followed the instructions carefully and your faucet still does not work properly, take the following corrective steps:

PROBLEM	CAUSE	ACTION
Leakage under faucet handle	Locking nut has come loose or cartridge needs to be reseated	Remove button located at top of handle. Loosen set screw with hex wrench. Remove handle and unscrew cartridge cover by hand. Tighten locking nut with an adjustable wrench
Water does not shut off completely	Cartridge may need to be adjusted or replaced	Remove button located at top of handle. Loosen set screw with hex wrench. Remove handle and unscrew cartridge cover by hand. Unscrew locking nut with an adjustable wrench. Remove ceramic disc cartridge. Check for cracks, and if O-ring is seated correctly. Reseat cartridge
Leaking between spray head and the hose	Spray head may be loose or washer is not seated correctly in the hose connection	Tighten spray head by hand until snug. Make sure washer is seated correctly
Hose does not retract	Weight may be installed incorrectly	Readjust weight on hose
Low flow	Aerator may be clogged	Unscrew aerator with aerator key. Hold tip of spray head and turn on water to flush debris

Maintenance - Cartridge Replacement



Step 1: Remove button located at the base of the handle. Loosen the set screw with a hex wrench. Remove the handle and unscrew cartridge cover by hand



Step 2: Unscrew the locking nut with an adjustable wrench. Remove ceramic disc cartridge



Step 3: Place the new cartridge in the handle seat. Secure the cartridge with the locking nut and assemble the handle