

**Kräus®**

INSTALLATION MANUAL

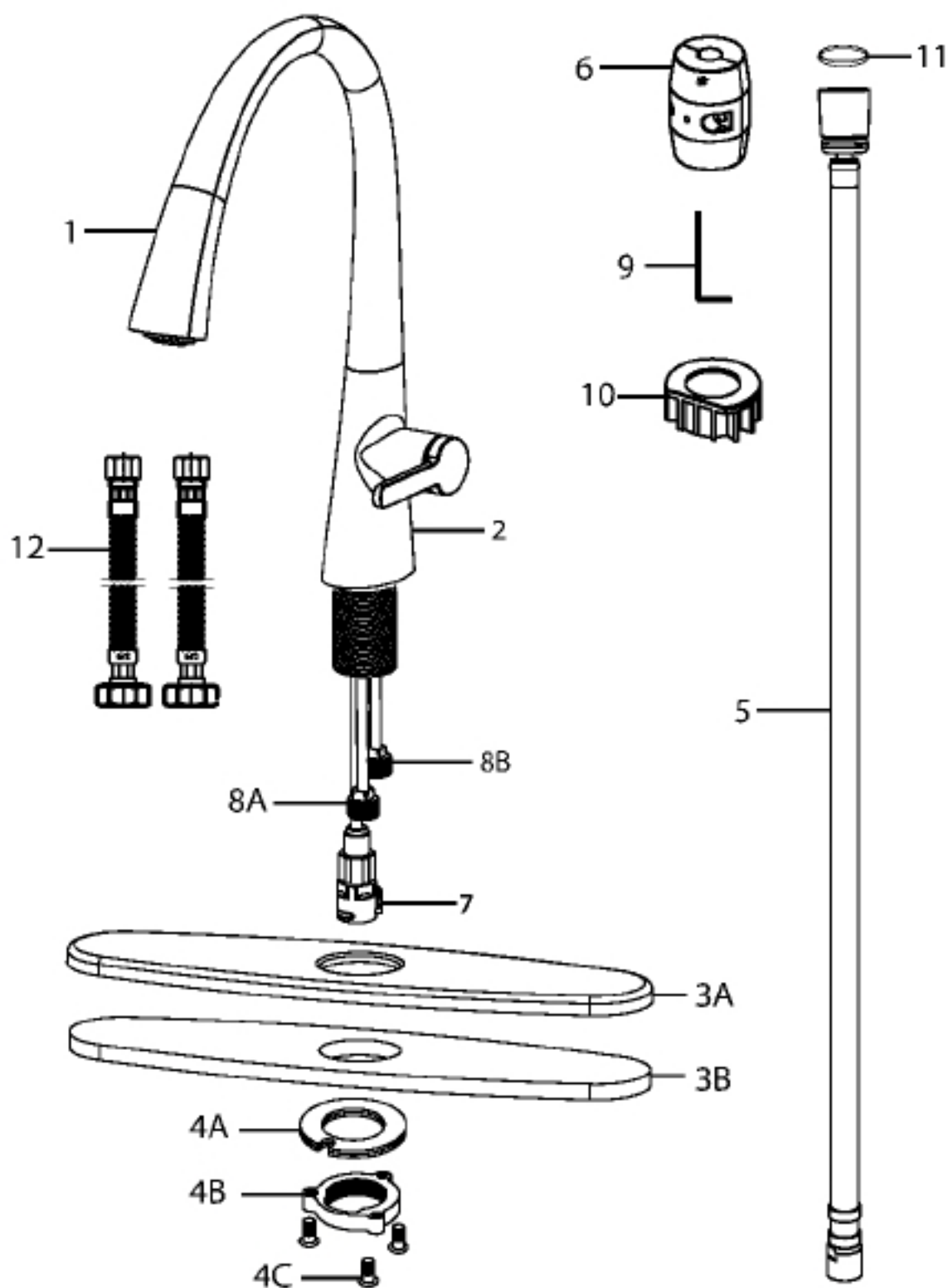
## Single Handle Pull-Down Kitchen Faucet

KPF-1673

## Prior to Installation:

- Turn off the cold and hot water at the angle stops and turn on the old faucet to release any built up pressure
- Flush angle stops to release any debris prior to installation
- Pre-drilled hole size requirement: 1-3/8" (min) – 1-1/2" (max)
- Max countertop thickness: 1-3/8"
- 1, 2, or 3 hole installation

## Diagram and Parts List



## Diagram and Parts List

1. Spray Head
2. Faucet Body
3. Deck Plate Assembly
  - A. Deck Plate
  - B. Base Plate
4. Mounting Hardware
  - A. Rubber & Metal Washer
  - B. Mounting Nut
  - C. Mounting Screws
5. Spray Hose
6. Weight
7. Quick Connector
8. Hot and Cold Copper Lines
  - A. Cold
  - B. Hot
9. Hex Wrench
10. Faucet Extender
11. Washer
12. Hot & Cold Waterlines

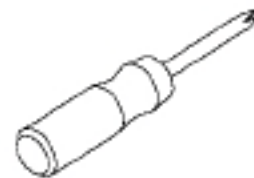
## Tools you will need



Adjustable Wrench



Silicone Sealant  
(optional)

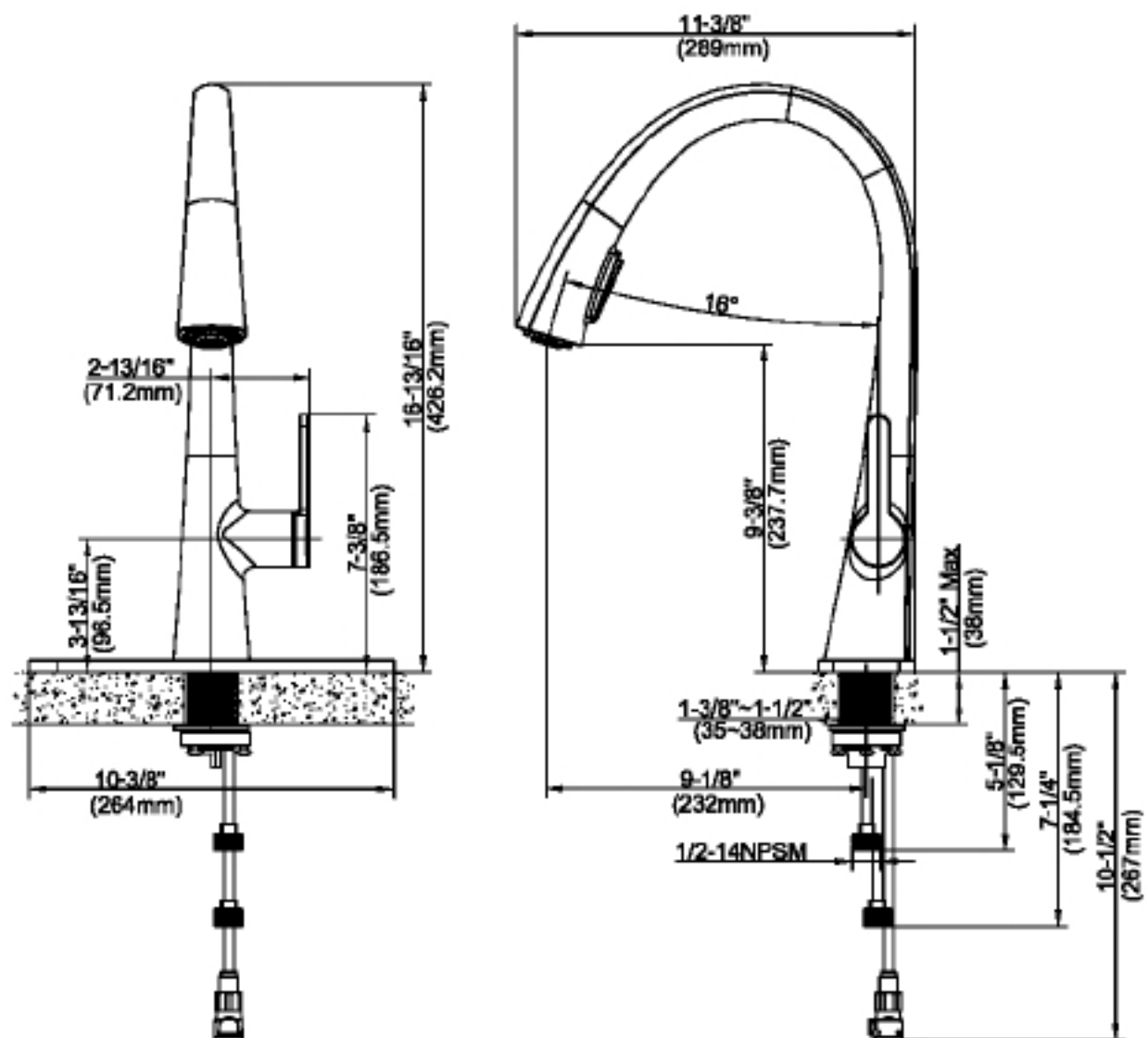


Phillips Screwdriver



Safety Goggles

## Faucet Installation Procedure

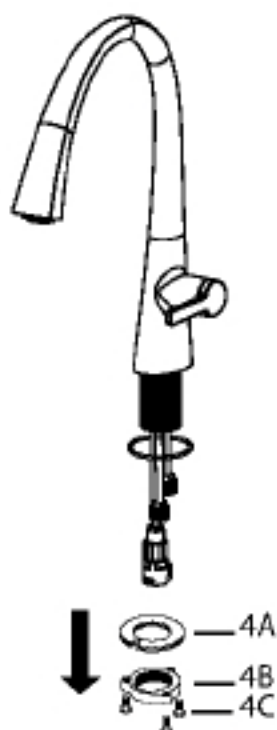


### Installer Tip:

Shut off main water supply before installing new faucet

## Step 1: Remove mounting hardware

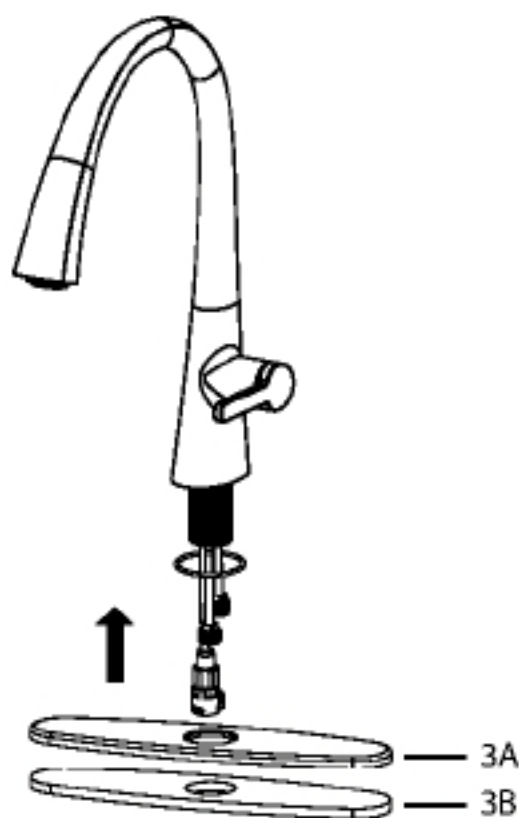
---



Remove the mounting screws (4C), mounting nut (4B), and rubber & metal washer (4A) from the mounting pipe

## Step 2A: Faucet installation - with deck plate

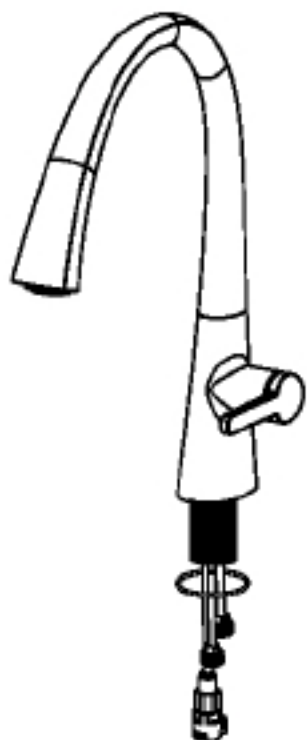
---



For three-hole installation: Deck plate (3A), base plate (3B), and silicone sealant (optional) are required

## Step 2B: Faucet installation - without deck plate

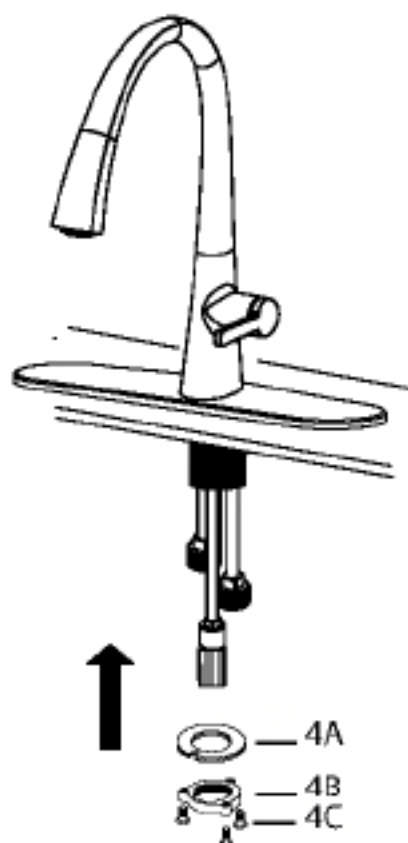
---



For single-hole installation:  
Deck plate (3A), base plate  
(3B), and silicone sealant  
are **NOT** required

## Step 3: Install faucet and mounting hardware

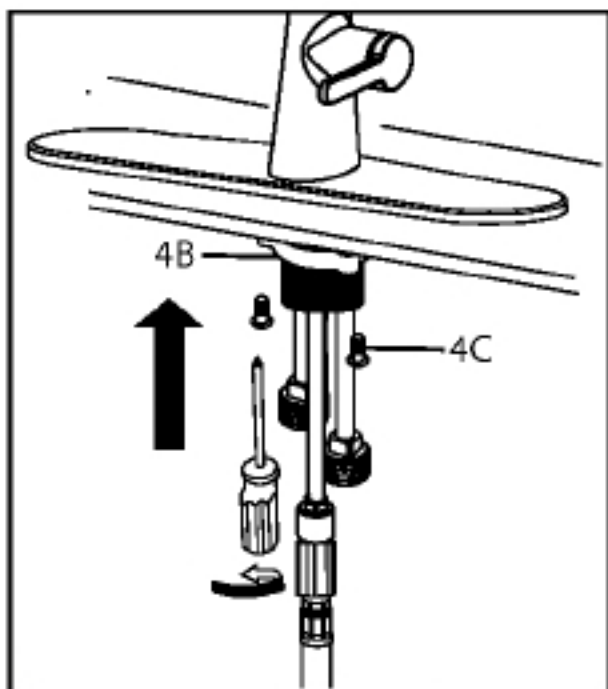
---



Insert faucet body (2) into  
hole in countertop or deck  
plate assembly (3). Install  
mounting hardware (4A, B  
& C) from underneath the  
countertop

#### Step 4: Secure mounting hardware

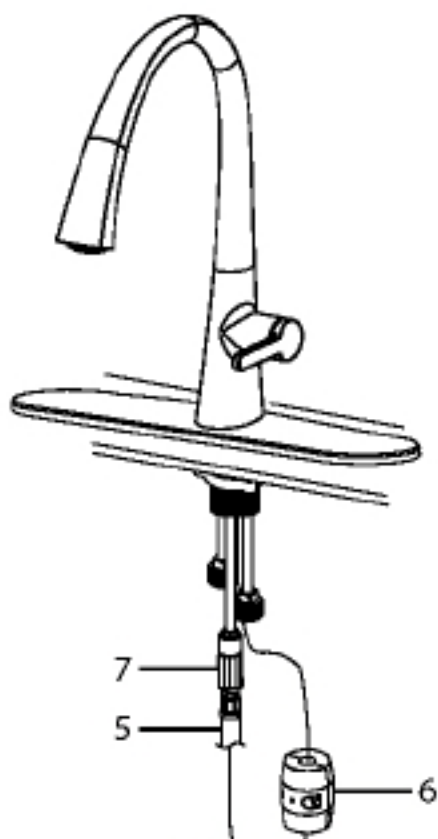
---



Adjust direction of faucet body (2) so that handle is on right side of faucet. Tighten mounting nut (4B) until snug. Tighten mounting screws (4C) to nut with Phillips screwdriver until snug

#### Step 5: Attach spray hose and counterweight

---

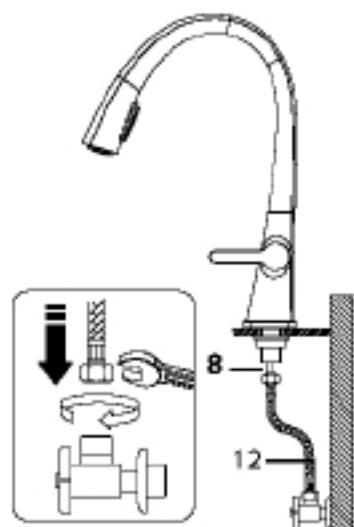


Connect spray hose (5) to quick connector (7) attached to supply line. Install weight (6) on lowest vertical point on spray hose (5)



## Step 6: Connect waterlines

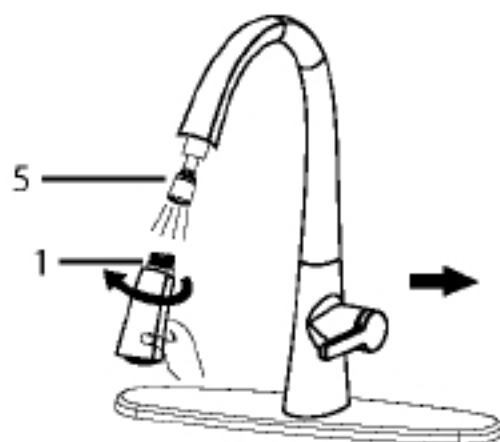
---



Connect waterlines (not included) to hot and cold copper lines (8). Connect waterlines (12) to angle stops. Tighten both ends of waterlines with a wrench until snug. Turn on hot and cold angle stops and check for leaks

## Step 7: Flush spray hose

---

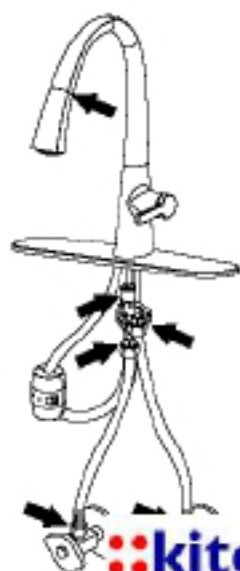


Remove spray head (1) from spray hose (5). Hold tip of spray hose (5). Turn faucet on and let the water run for 60 seconds to flush any debris

NOTE: Please make sure washer (11) is installed attaching spray head to hose

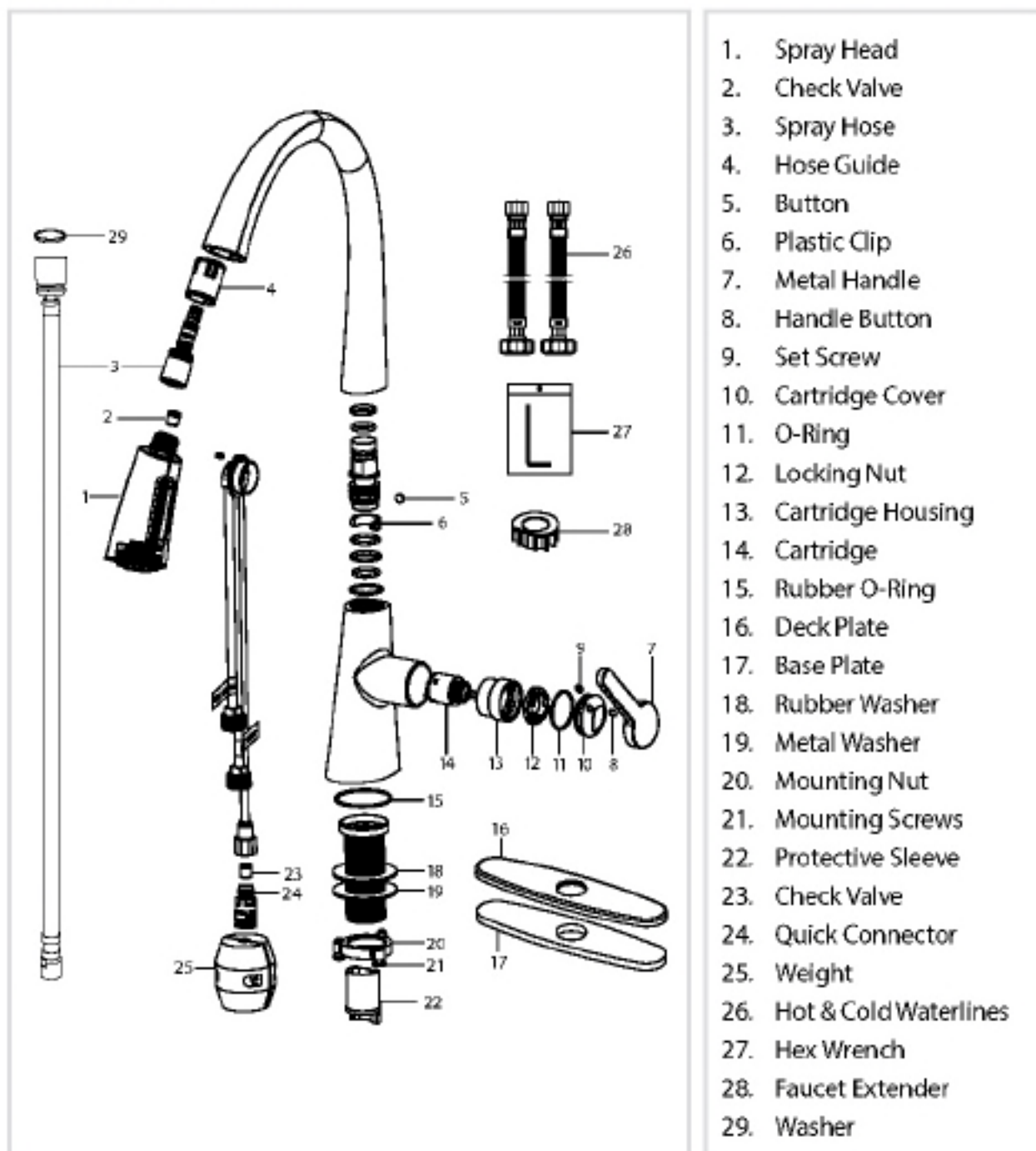
## Step 8: Check for leaks

---



Check for leaks at the connections. Retighten if necessary

## Replacement Parts



## Care & Maintenance

\*To keep the product clean & shining, follow the steps below:

1. Rinse with clean water & dry with a soft cloth
2. Do not clean with soaps, acid, polish, abrasives, or harsh cleaners
3. Do not use cloth with a coarse surface
4. Unscrew the aerator and clean when necessary

\*This installation manual is subject to change without further notice.

**∴kitchensource.com**

☎ 1.800.667.8721



## Trouble - Shooting

If you have followed the instructions carefully and your faucet still does not work properly, take the following corrective steps:

PROBLEM	CAUSE	ACTION
Leakage under faucet handle	Locking nut has come loose or cartridge needs to be reseated	Remove button located at top of handle. Loosen set screw with hex wrench. Remove handle and unscrew cartridge cover by hand. Tighten locking nut with an adjustable wrench
Water does not shut off completely	Cartridge may need to be adjusted or replaced	Remove button located at top of handle. Loosen set screw with hex wrench. Remove handle and unscrew cartridge cover by hand. Unscrew locking nut with an adjustable wrench. Remove ceramic disc cartridge. Check for cracks, and if O-ring is seated correctly. Reseat cartridge
Leaking between spray head and the hose	Spray head may be loose or washer is not seated correctly in the hose connection	Tighten spray head by hand until snug. Make sure washer is seated correctly
Hose does not retract	Weight may be installed incorrectly	Readjust weight on hose
Low flow	Aerator may be clogged	Unscrew aerator with aerator key. Hold tip of spray head and turn on water to flush debris

## Maintenance - Cartridge Replacement

---



**Step 1:** Remove button located at the top of the cartridge cover. Loosen the set screw with a hex wrench. Remove the handle and unscrew cartridge cover by hand



**Step 2:** Unscrew the locking nut with an adjustable wrench. Remove ceramic disc cartridge



**Step 3:** Place the new cartridge in the handle seat. Secure the cartridge with the locking nut and assemble the handle