

**Kräus<sup>®</sup>**

INSTALLATION MANUAL

## **Ceramic Bathroom Vessel Sinks**

KCV-120 / KCV-121 / KCV-122 / KCV-125

KCV-135 / KCV-140 / KCV-141

KCV-142 / KCV-150

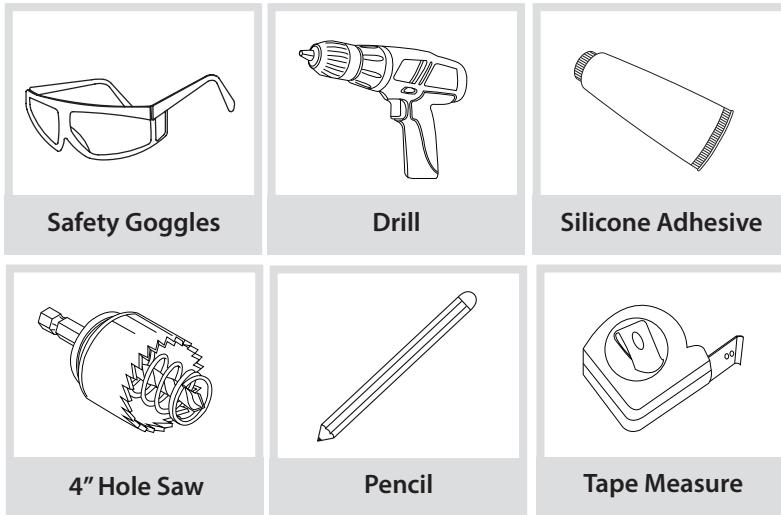
### Prior to Installation:

- Make sure that you have all necessary parts by checking the parts list. If any part is missing or damaged, please contact Customer Service
- Inspect the sink prior to installation to make sure it has not been cracked or chipped during shipping
- Use the cut-out template provided by Kraus
- Observe all plumbing and building codes according to your state requirements
- Additional floor and wall preparation may be required to avoid damaging the sink

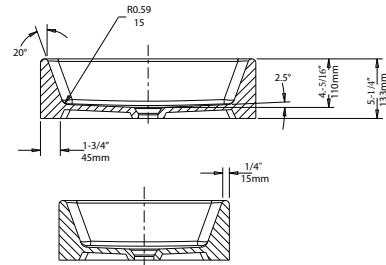
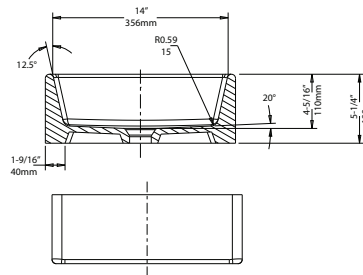
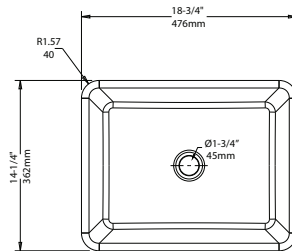
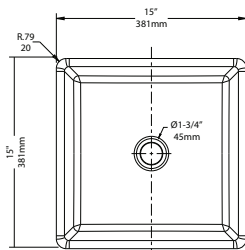
**WARNING:** This product is fragile and can break, chip, or cause injury if handled recklessly. Please consult with a professional when installing

The step-by-step guidelines in the installation instructions are a general reference for installing a Kraus Sink. Should there be any discrepancies, Kraus cannot be held liable. It is recommended to install all Kraus products by hiring a licensed professional.

## Tools you will need:



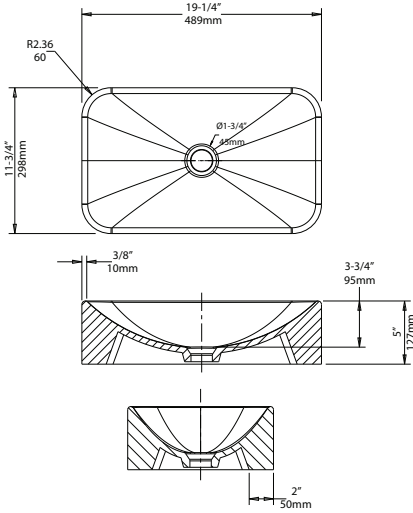
## Dimensions



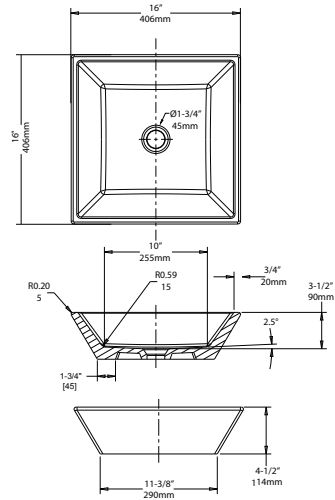
**KCV-120**  
 15" x 15" x 5 1/4"

**KCV-121**  
 18 3/4" x 14 1/4" x 5 1/4"

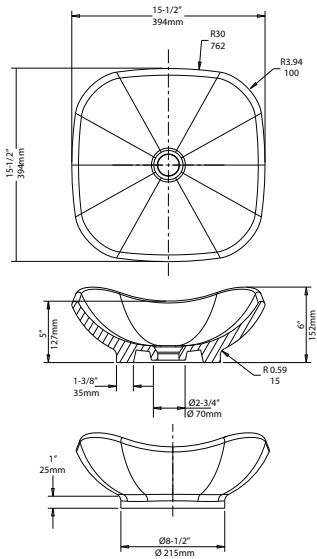
## Dimensions



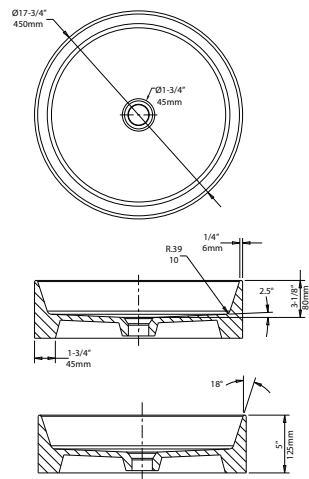
**KCV-122**  
 19 1/4" x 11 3/4" x 5"



**KCV-125**  
 16" x 16" x 3 1/2"

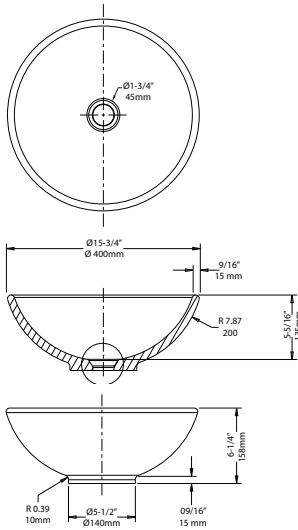


**KCV-135**  
 15 1/2" x 15 1/2" x 6"

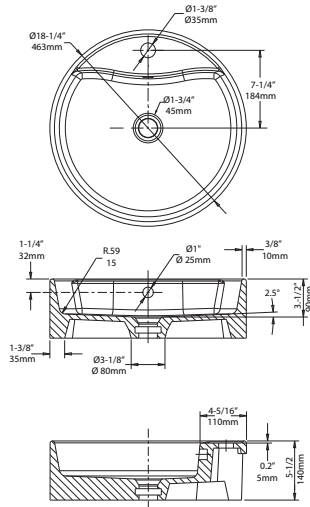


**KCV-140**  
 Ø 17 3/4" x 3 1/8"

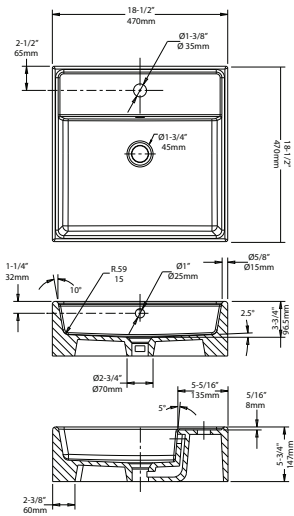
## Dimensions



**KCV-141**  
 Ø15 3/4" x 6 1/4"



**KCV-142**  
 Ø18 1/4" x 5 1/2"



**KCV-150**  
 18 1/2" x 18 1/2" x 5 3/4"

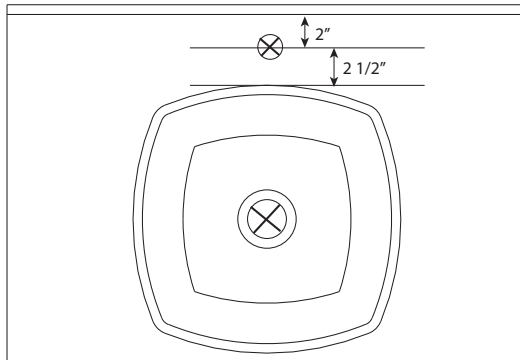
## 1. Mark faucet and drain hole location

- Place sink in desired location on countertop and mark drain hole and faucet hole centerline with a pencil

**NOTE:** Make sure clearance is suitable for backsplash, faucet, and sink plumbing

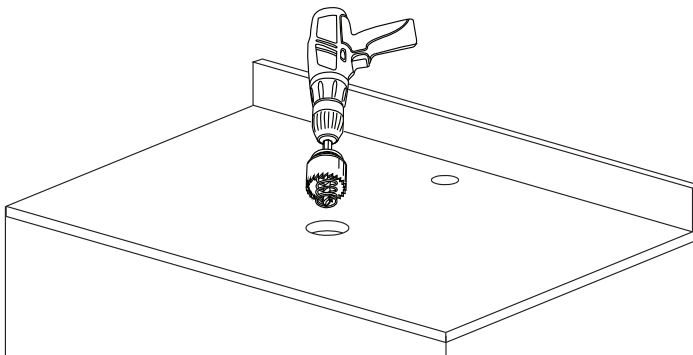
**NOTE:** Please allow a minimum of 4.5" from wall to edge of sink for faucet placement clearance

**NOTE:** For model numbers **KCV-142** and **KCV-150**, faucet hole location should be measured from center of drain hole to center of faucet hole on sink



## 2. Drill countertop

- Cut the drain opening in the countertop by carefully placing the 4" hole saw on the area marked by pencil



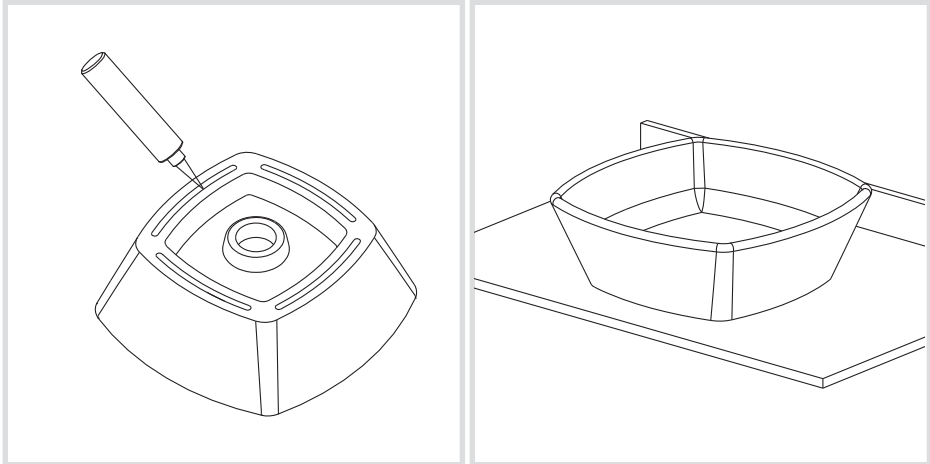
### 3. Install sink

---

- Check the alignment of the sink to the opening in the countertop. Use a bead of clear silicone (or preferred adhesive) around the underside of the sink
- Carefully place the sink on the countertop, align, and press firmly
- Allow sealant to set for 30 – 60 minutes

**NOTE:** Please make sure Kraus logo is facing you when mounting sink

**NOTE:** Use acetone or rubbing alcohol to remove any excess sealant immediately after application



### 4. Install plumbing fixtures

---

- Connect drain to sink. Connect trap to drain. Connect water supply connections to faucet according to manufacturer's instructions
- Run water into sink and check for leaks

## Codes/Standards Applicable:



## KRAUS LIMITED LIFETIME WARRANTY

This product has been manufactured and tested to the highest quality standards by Kraus USA Inc. ("Kraus"). We offer our customers thoughtfully crafted fixtures & accessories, engineered for enduring performance over years of use.

## WHO IS COVERED BY THE WARRANTY

This warranty extends to the original purchaser only. This warranty is not transferable, between homes or owners and is only applicable to residential use.

## WHAT IS COVERED BY THE WARRANTY

Kraus warrants this product against defects due to material or craftsmanship error during the warranty period: Kraus will provide replacement parts at no charge, or at its option, replace any product or part of the product that is deemed defective, under normal installation, use, service and maintenance. If Kraus is unable to provide a replacement and repair is not practical or cannot be made in timely fashion, Kraus may elect to refund the purchase price in exchange for the return of the product.

## CONDITIONS AND EXCLUSIONS

Like other home fixtures, Kraus products will require light maintenance to ensure proper function. We provide you with complete knowledge to perform this maintenance and can also recommend resources if you are unable to fulfill this service.

- A.** Kraus will not be responsible for product failures due to lack of maintenance or proper use. Please read your care and maintenance documentation to determine the limits of proper use.
- B.** The original sales receipt, order number, and/or proof of purchase must be presented at the time of the warranty claim, without exception, for this warranty to be applied to all Kraus products.



C. Kraus recommends installing all Kraus products with a licensed, professional plumber. Kraus will not be held responsible for any damage or product failure due to improper installation, misuse, or failure to use a licensed professional. Please read your care and maintenance documentation to determine the limits of proper use.

D. Commercial use will automatically void this warranty.

E. This warranty is not applicable to Kraus products purchased from an unauthorized seller. For a complete list of authorized sellers please visit <http://www.kraususa.com/where-to-buy.html>

### **NON-APPLICABILITY OF THIS WARRANTY**

By the purchase and use of our products, you agree that Kraus is not liable for incidental, consequential or special damages associated with the return, replacement, installation or use of your product. This includes freight costs, cartridge replacement, labor, travel time, lost profit, home damages and other contingent liabilities and costs (including, without limitation, costs associated with experts, investigations, analyses, attorneys and other professionals and services). The Kraus warranty is a comprehensive and explicit limit of liability, and all items outside of it are not addressable by or the responsibility of Kraus. Certain states have variances regarding implied warranties and in those situations we remain fully compliant.

KRAUS USA Inc. makes no implication that products comply with any or all local building or plumbing codes. It is the consumer's responsibility to determine local code compliance. This warranty extends to the original purchaser and first consumer.

**In requesting warranty service, please be ready to provide:**

- 1. Proof of purchase.**
- 2. A description of the problem.**