

Kräus®

INSTALLATION MANUAL

Viva™ Series Ceramic Vessel Bathroom Sink

KCV-200 / KCV-201 / KCV-202 /
KCV-203 / KCV-204 / KCV-205

Prior to Installation:

- Inspect the sink prior to installation to make sure that it has not been cracked or chipped during shipping
- Observe all plumbing and building codes according to your state requirements
- Additional floor and wall preparation may be required to avoid damaging the sink

WARNING: This product is fragile and can break, chip or cause injury if handled recklessly. Please consult with a professional when installing

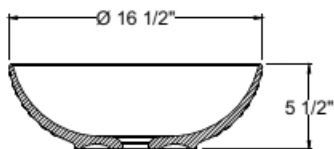
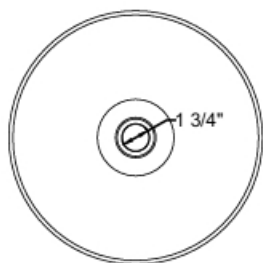
For technical assistance or replacement parts, please contact Kraus

The step-by-step guidelines in the installation instructions are a general reference for installing a Kraus Sink. Should there be any discrepancies, Kraus cannot be held liable. It is recommended to install all Kraus products by hiring a licensed professional.

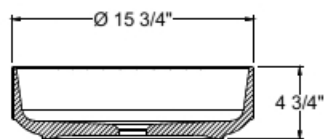
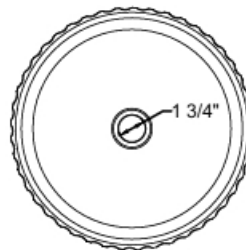
Tools you will need:



Dimensions

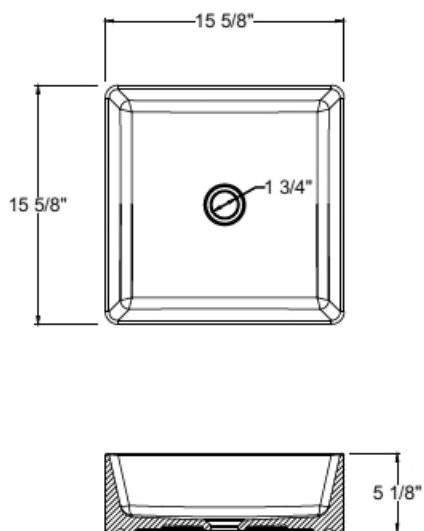


KCV-200
16 1/2" x 5 1/2"

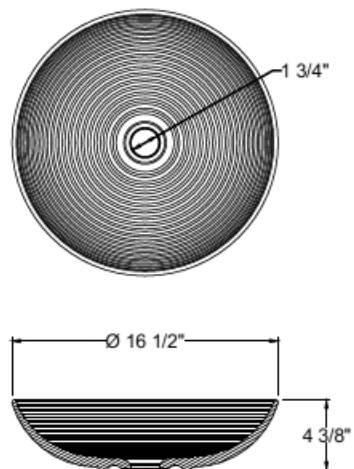


KCV-201
15 3/4" x 4 3/4"

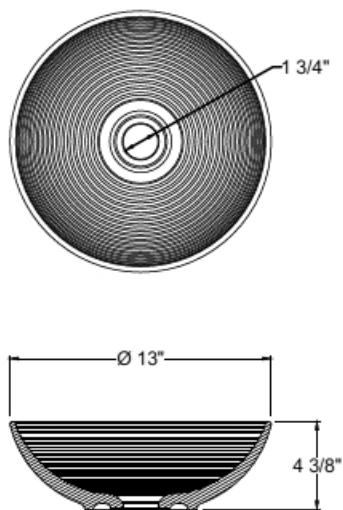
Dimensions



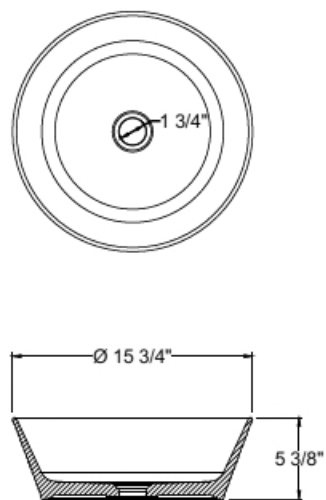
KCV-202
15 5/8" x 15 5/8" x 5 1/8"



KCV-203
16 1/2" x 4 3/8"



KCV-204
13" x 4 3/8"



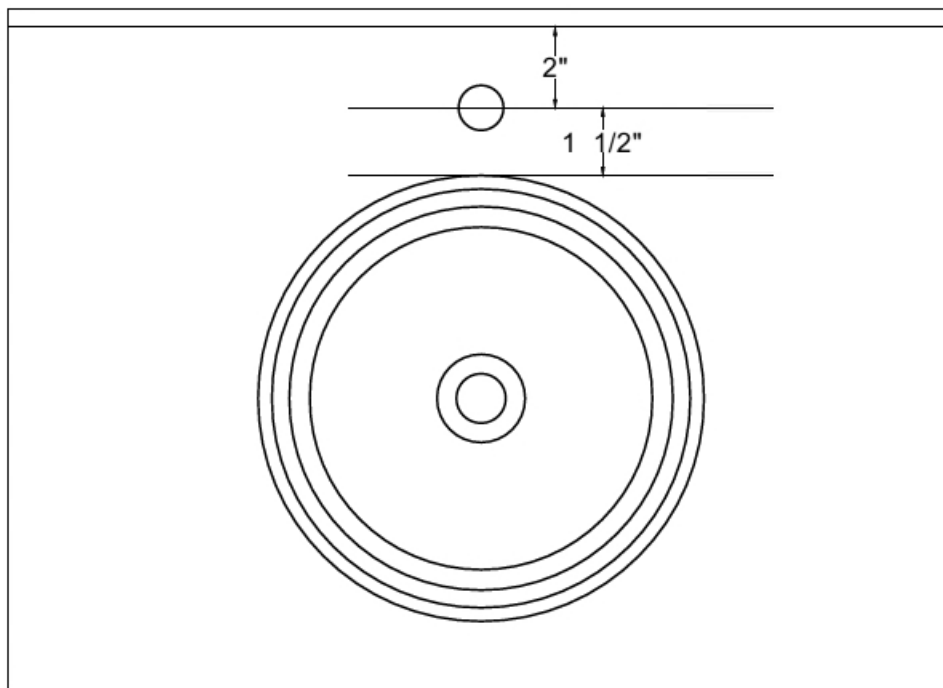
KCV-205
15 3/4" x 5 3/8"

1. Mark Faucet and Drain Hole Location

- Place sink in desired location on countertop and mark drain hole and faucet hole centerline with a pencil.

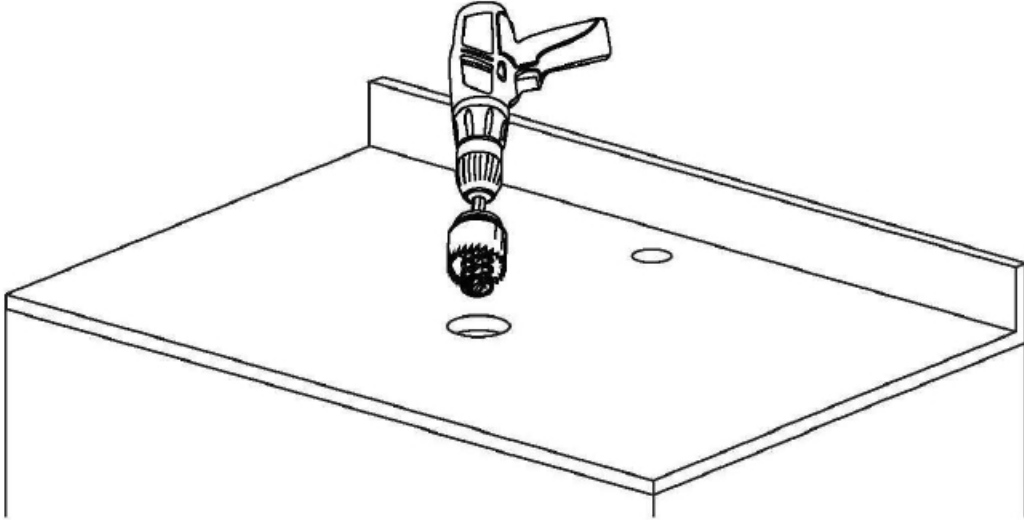
NOTE: Make sure clearance is suitable for backsplash, faucet and sink plumbing

NOTE: Please allow a minimum of 3 1/2" from wall to edge of sink for faucet placement clearance



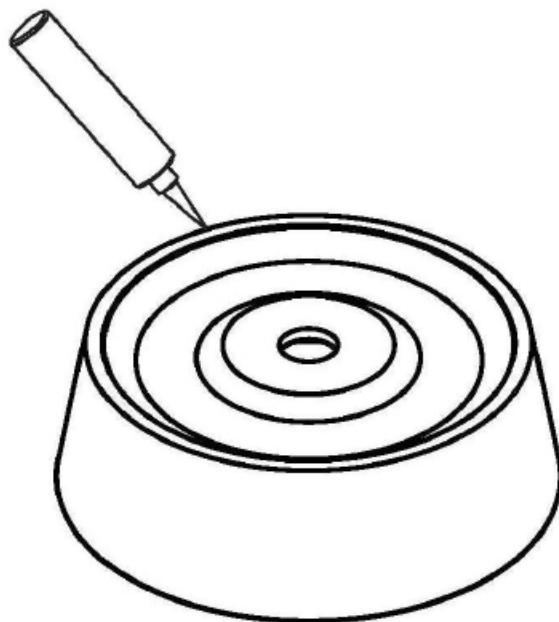
2. Drill Countertop

- Cut the drain opening in the countertop by carefully placing the 4" hole saw on the area marked by pencil.



3. Apply Silicone

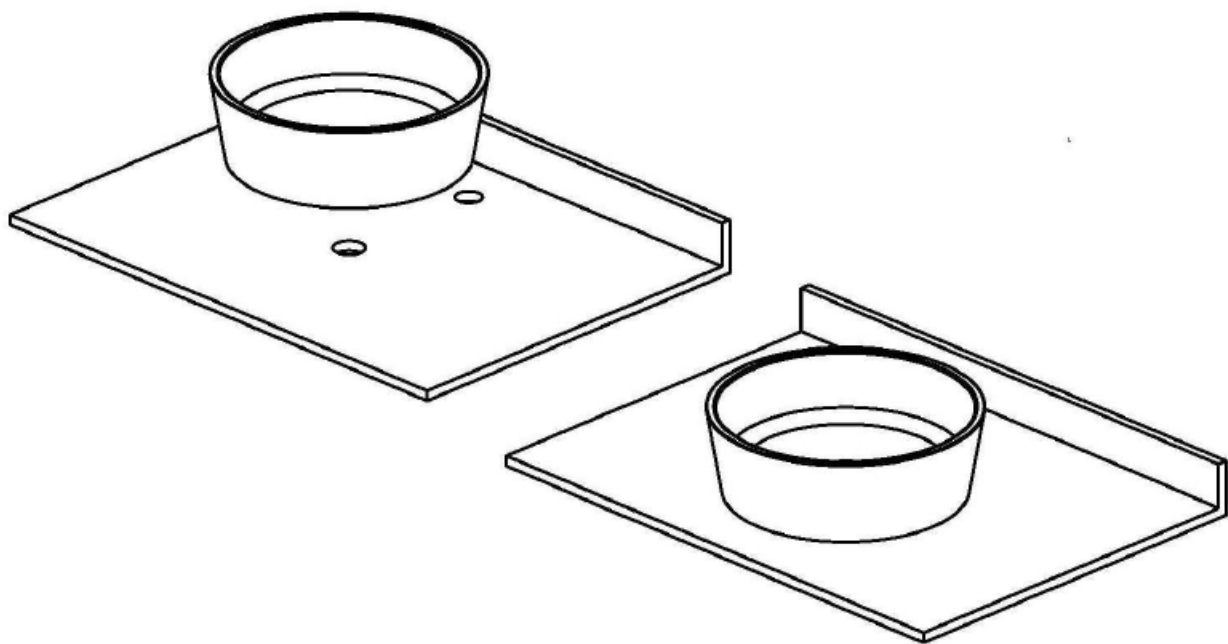
- Check the alignment of the sink to the opening in the countertop. Use a bead of clear silicone (or preferred adhesive) around the underside of the sink.



4. Install Sink

- Carefully place the sink on the countertop, align and press firmly
- Allow sealant to set for 30 - 60 minutes

NOTE: Use acetone or rubbing alcohol to remove any excess sealant immediately after application



5. Install Plumbing Fixtures

- Connect drain to sink. Connect trap to drain. Connect water supply connections to faucet according to manufacturer's instructions
- Run water into sink and check for leaks