

Product Description and Measurements

Glass Vessel Sink and Waterfall Faucet Combo

- ★ Exclusive Kraus Collection
- ★ Waterfall Faucet
- ★ Glass Thickness: 12mm-19mm
- ★ Diameter: 14" – 17"
- ★ For Above Counter Installation



In Accordance with Industry Codes & Standards for USA & Canada
All Kraus Glass Lavatory Sinks are Certified & Listed By cUPC.



Thank You

Dear Valued Customer,
Kraus would like to take this opportunity to thank you for this purchase. It is our sincere hope that you are completely satisfied with your new product. We welcome any questions or comments that you may have and look forward to assisting you with your accessory needs in the future.

Sincerely,
Kraus customer service department.

Prior To Installation Steps

1. Unpack your new product and ensure that all the parts are included in the packaging. Keep the product in its original box until you ready to install it.
2. The counter top must be flat.
3. Shut off the water supply.
4. Observe all plumbing and building codes in your area.
5. It is recommended that installation of the product be done by a professional plumber.

Waterfall Faucet Installation

Please remember to turn off the hot and cold valves prior to installation.

STEP 1. Check to see that your set contains the following parts:

- The faucet
- Hot and cold water lines
- One rubber washer
- One brass washer
- Two mounting screws

STEP 2. While holding the faucet facing you, locate the two larger openings at the base of the faucet.

STEP 3. The left opening is for the hot water supply line and the right opening is for the cold water supply line.

STEP 4. Gently screw in the hot and the cold water lines. Make sure the waterlines are tightly screwed in place.

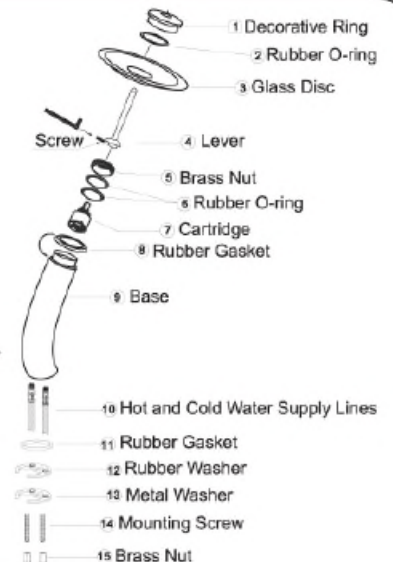
STEP 5. Insert the waterlines through the faucet opening in the countertop and place the faucet on the countertop. Make sure the faucet is facing forward and is aligned properly.

STEP 6. From underneath the countertop, place the rubber washer first so that it sits on top of the metal washer. Be sure to align the openings on the washers with the openings on the faucet.

STEP 7. Screw in the mounting screws through the washers and into the faucet from underneath the countertop.

STEP 8. Tighten the brass nuts (located on the mounting screws) until the faucet is held tightly in place.

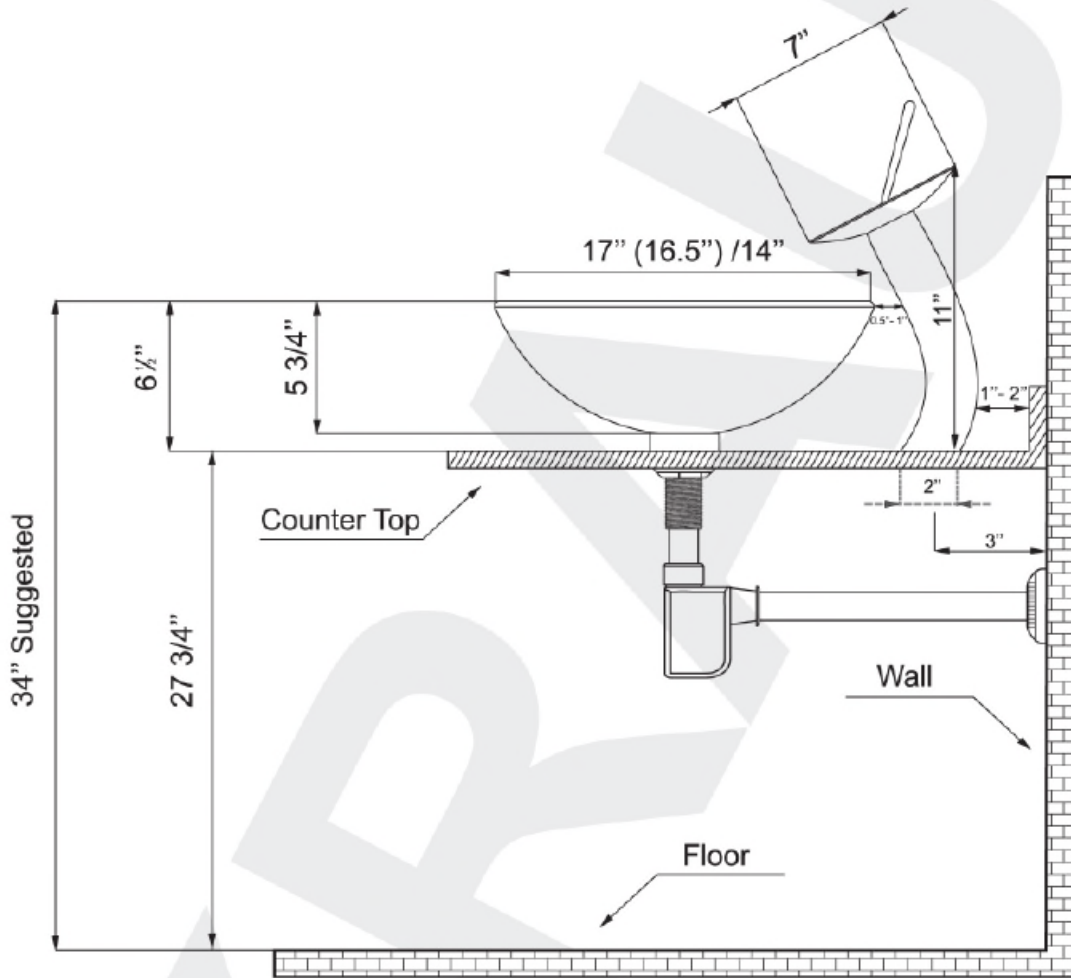
STEP 9. Connect the hot and cold water supply lines to the corresponding waters supply valves.



Rough-In Dimensions

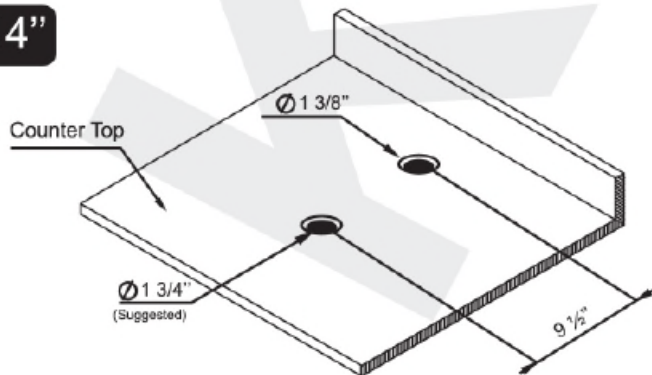
PLEASE NOTE: Selected Tempered Glass Products and Collections are handcrafted. As a result slight variations in size and shape are to be expected. We recommend not cutting any surfaces based on the sizes and dimensions provided until the product is received. KrausUSA shall not be held accountable for any custom installation issues. Under no circumstances will KrausUSA be held liable for the cost of the repair or replacement of installation materials including but NOT limited to, marble, stone, granite countertops, tiles, etc. Deviations from recommended installations, misuse, neglect, abuse, modifications or alterations may void your warranty. We advise that you comply with Local Building Codes as they may vary from state to state.

Glass Vessel Sink and Waterfall Faucet Combo



Suggested Dimensions for 14" & 16.5" Vessel

14"



16.5"

