

CANTRIO KONCEPTS

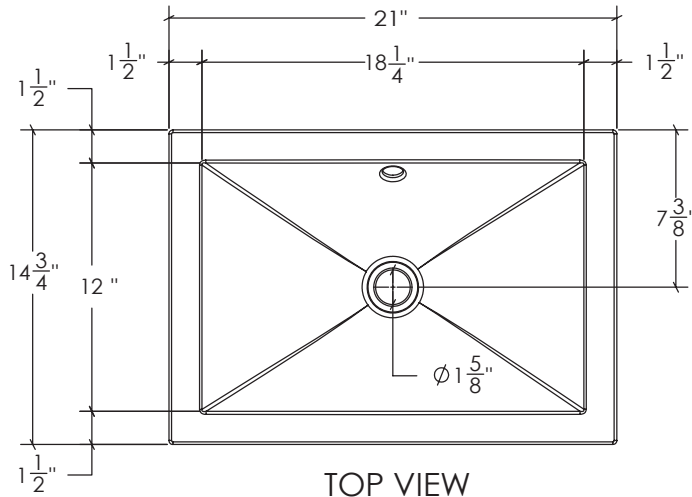
PS-111

FEATURES:

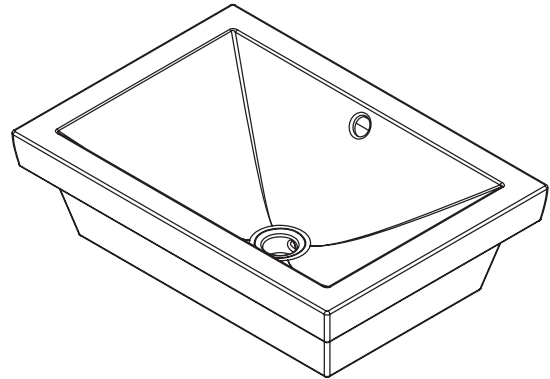
- * Sink Size: 21" x 14-3/4" x 6"
- * Material: Vitreous China
- * Counter Top Recessed Sink
- * Recommended Drain: DS-001
- * For Drains with Overflow
- * For Use With Standard Pop Up Drain
- * Warranty: One Year Limited Warranty

CODES / STANDARDS APPLICABLE

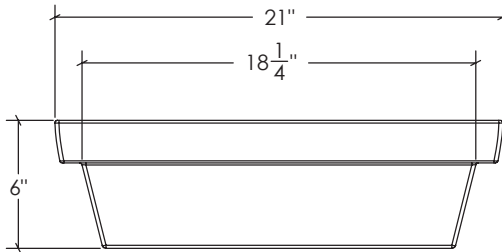
- * CSA B45
- * ASME A112.19.2



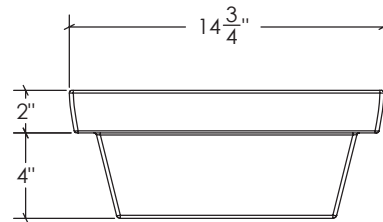
TOP VIEW



3D VIEW



FRONT VIEW



SIDE VIEW

JOB INFORMATION:

Job Name _____
Date Specified _____
Contractor _____

Specifications and drawings provided on this sheet are for illustration only. Cantrio Koncepts will not be held responsible for cutouts made without the actual product or product template.

Dimensions may vary within industry standard tolerances. Cantrio Koncepts reserves the right to make changes without notice.